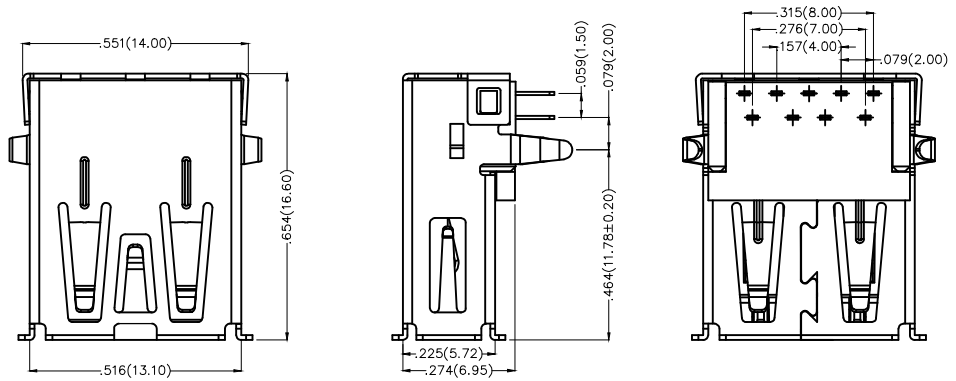
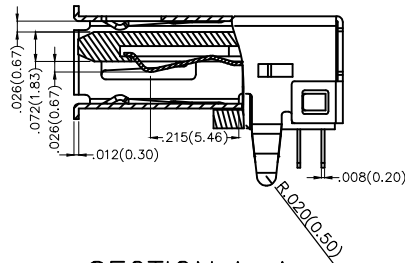
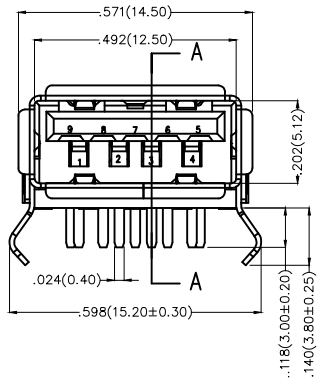


REV	LOCATIONS	DESCRIPTION	DATE	REVISED	APPD



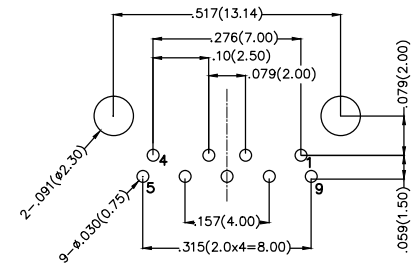
Electrical
Current Rating:
 1.8A Applied To Vbus Pin and its Corresponding GND Pin(Pin1,pin4,pin7)
 0.25A Applied To All Other Pins(pin2,pin3,pin5,pin6,pin8,pin9)
Voltage Rating:100V AC(rms)/DC
Contact Resistance:
 30 mΩ Max Initial For VBUS And GND Contacts(Pin1,Pin4,Pin7)
 50 mΩ Max Initial for All Other Contacts(pin2,pin3,pin5,pin6,pin8,pin9)
Insulation Resistance:100 MΩ MIN
Withstanding Voltage:100V AC r.m.s
Temperature Range—Operating: -55°C~+105°C
Material
Housing: Thermoplastic(UL 94V-0)Blue
Contact: Phosphor Bronze/ Selective gold in contact area,Tin on tail.
Shell: Copper Alloy/ Tin Plated



SECTION A-A

Pinassignment:

Pins	1	2	3	4	
Signal name	VBUS	D-	D+	GND	
REMARK	USB 2.0 Contact Pin				
Pins	5	6	7	8	9
Signal name	SSRX-	SSRX+	GND	SSTX-	SSTX+
	USB 3.0 Contact Pin				



Recommended P.C.Board Layout

 THIRD ANGLE PROJECTION	GENERAL TOLERANCES (UNLESS SPECIFIED)		APPROVE BY FRANK	DATE 21/JUN/13	PART NO. FUS301-FDBU1K	ITEM NO. FUS301	 Leader Of Industry
	DESIGN UNITS Inch (metric)	X.±.012(0.30)	X.±5'	CHECKED BY CHERRY	DATE 21/JUN/13	TITLE USB A-type 9Circuits 90°Angle Female(DIP)(3.0)	
SCALE 5:1	SIZE A4	X.XX±.008(0.20)	.X'±2'	DRAWN BY JACOB	DATE 21/JUN/13	THIS DRAWING CONTAINS INFORMATION THAT IS PROPRIETARY TO TXGA INDUSTRIAL ELECTRONICS(S.Z)CO.,LTD AND SHOULD NOT BE USED WITHOUT WRITTEN PERMISSION	
		X.XXX±.004(0.10)	.XXX±0.5'			REV 0	SHEET NO. 1/1

X-ON Electronics

Largest Supplier of Electrical and Electronic Components

Click to view similar products for [USB Connectors](#) category:

Click to view products by [TXGA](#) manufacturer:

Other Similar products are found below :

[10033527-N3112MLF](#) [17-210561](#) [GMCB05B11124H1EU](#) [17-200931](#) [65-647-8-BK-BU](#) [690-010-295-484](#) [73725-1191BLF](#) [950](#) [E8144-B01021-L](#) [A-USB A-LP-SMT-C](#) [A-USB B-TOP-C](#) [MUSBA511N5](#) [MUSBB15131](#) [MUSBC111M5](#) [MUSBD11135](#) [217450-1](#) [CA 6 W LD](#)
[896-30-004-00-000000](#) [KUSBVX-BS1N-W30](#) [KUSBX-AP-KIT-SCBLK](#) [KUSBX-AS2N-W](#) [KUSBX-SMT2AP1S-W](#) [KUSBX-SMTAS1NBTR](#) [KUSBX-SMTBS1NBTR](#) [30-498-6](#) [SK-60A-2](#) [17-200261](#) [17-210051](#) [1734082-1](#) [FK-37-32SL](#) [30-1574](#) [30-470](#) [30-489](#) [30-541](#) [30-572-3](#) [30-9503](#) [M9177/2-1](#) [MAB 5 S](#) [MIKROE-1451](#) [33UBBR-04SW11R](#) [USBFTV2PEM2G](#) [USBFTVC6ZN](#) [USBFTVSCCG](#)
[KUSBX-AS2N-W30](#) [KUSBX-SLAS1N-W](#) [KUSBX-SLAS1N-W30](#) [1-1734084-2](#) [E8110-001-01](#) [MUSBC11135](#) [NK-27-32SL](#)