

REV	LOCATIONS	DESCRIPTION	DATE	REVISER	APPD

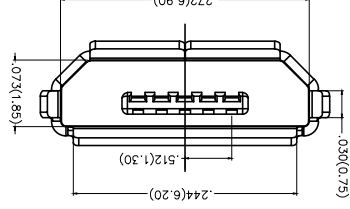
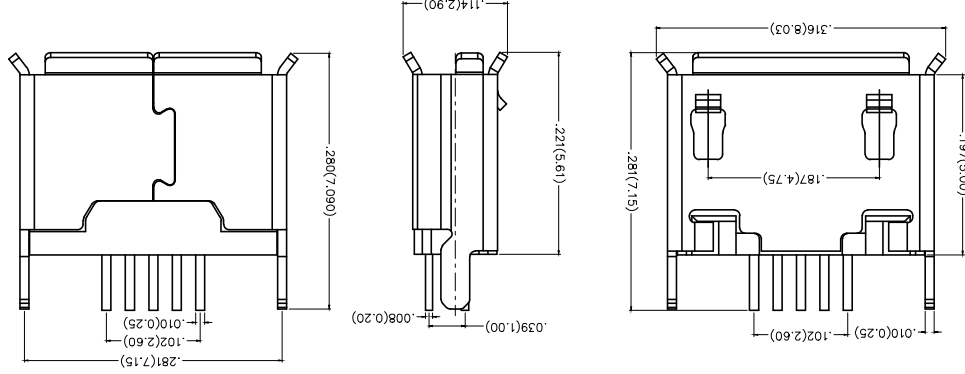
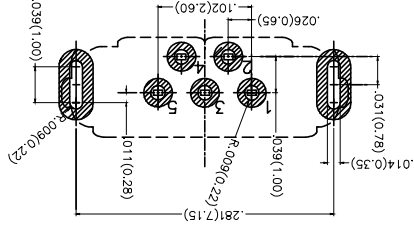
SPECIFICATIONS

Electrical
 Current Rating: 1A AC(rms)/DC
 Voltage Rating: 40V AC(rms)/DC
 Contact Resistance: 20 mΩ Max
 Insulation Resistance: 100 MΩ MIN
 Withstanding Voltage: 100V AC r.m.s
 Temperature Range—Operating: -30°C~+80°C
 Material and Plating
 Housing: LCP (UL 94V-0)
 Contact: Phosphor Bronze/ Gold in contact
 area, tin on tail
 Shell: Stainless/ Tin plated

Pinassignment:

Pins	Signal name
1	VBUS
2	D-
3	D+
4	ID
5	GND

Recommended P.C.Board Layout
 (General Tolerance : ±.002(0.05)



GENERAL TOLERANCES
 (UNLESS SPECIFIED)
 APPROVE BY: FRANK
 DATE: 15/JUL/13

PART NO. FUS423-FDBK6MA
 ITEM NO. FUS423
 TITLE: Micro USB
 Sockets 180°Vertical Female(DIP)

DATE: 15/JUL/13
 CHECKED BY: CHERRY
 DATE: 15/JUL/13

DATE: 15/JUL/13
 DRAWN BY: JACOB

SCALE: 5:1
 SIZE: A4
 DESIGN UNITS: Inch (metric)
 PROJECTION: THIRD ANGLE

GENERAL TOLERANCES
 (UNLESS SPECIFIED)
 APPROVE BY: FRANK
 DATE: 15/JUL/13

THIS DRAWING CONTAINS INFORMATION THAT IS PROPRIETARY TO TXGA INDUSTRIAL ELECTRONICS(SZ)CO.,LTD AND SHOULD NOT BE USED WITHOUT WRITTEN PERMISSION



REV 0 SHEET NO. 1/1

ITEM NO. FUS423

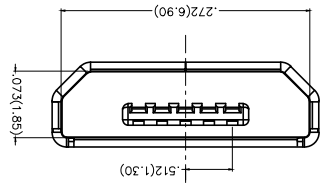
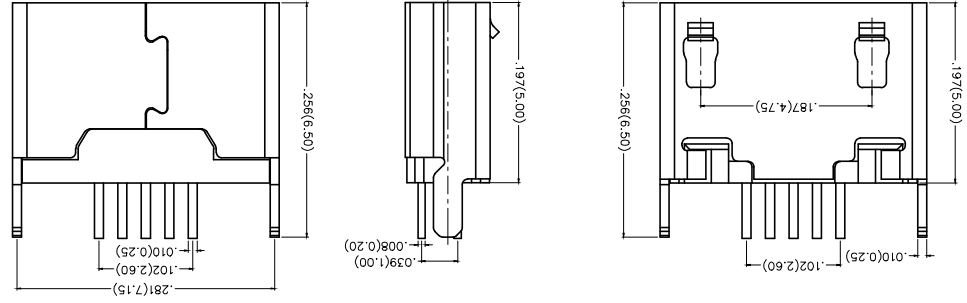
REV	LOCATIONS	DESCRIPTION	DATE	REVISER	APPD

SPECIFICATIONS

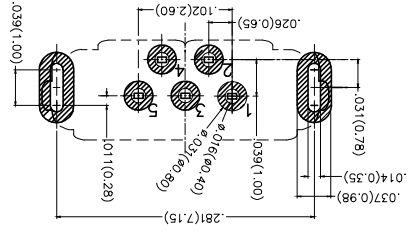
Electrical
 Current Rating: 1A AC(rms)/DC
 Voltage Rating: 30V AC(rms)/DC
 Contact Resistance: 20 mΩ Max
 Insulation Resistance: 100 MΩ MIN
 Withstanding Voltage: 100V AC r.m.s
 Temperature Range—Operating: -30°C~+80°C
 Material and Plating
 Housing: LCP , UL94V-0
 Contact: Phosphor Bronze/ Gold in contact
 area, tin on tail
 Shell: Stainless/ Tin plated

Pinassignment:

Pins	Signal name	VBUS	D-	D+	ID	GND
1						
2						
3						
4						
5						



Recommended P.C.Board Layout
 (General Tolerance : ±.002(0.05))



SCALE		DESIGN UNITS		THIRD ANGLE PROJECTION		GENERAL TOLERANCES (UNLESS SPECIFIED)		APPROVE BY		DATE		PART NO.		TITLE		THIS DRAWING CONTAINS INFORMATION THAT IS PROPRIETARY TO TXGA INDUSTRIAL ELECTRONICS(SZ)CO.,LTD AND SHOULD NOT BE USED WITHOUT WRITTEN PERMISSION			
5:1	A4	X.XX±.006(0.15)	.XX±.1	X.XX±.008(0.20)	.X±.2	X.±.012(0.30)	X.±.5	FRANK	15/JUL/13	FUS423-FDBK6MB	FUS423	Micro USB Scircuits 180°Vertical Female(DP)	15/JUL/13	CHERRY	15/JUL/13	JACOB	15/JUL/13	REV 0	SHEET NO. 1/1



X-ON Electronics

Largest Supplier of Electrical and Electronic Components

Click to view similar products for [USB Connectors](#) category:

Click to view products by [TXGA](#) manufacturer:

Other Similar products are found below :

[10033527-N3112MLF](#) [17-210561](#) [GMCB05B11124H1EU](#) [17-200931](#) [65-647-8-BK-BU](#) [690-010-295-484](#) [73725-1191BLF](#) [950](#) [E8144-B01021-L](#) [A-USB A-LP-SMT-C](#) [A-USB B-TOP-C](#) [MUSBA511N5](#) [MUSBB15131](#) [MUSBC111M5](#) [MUSBD11135](#) [217450-1](#) [CA 6 W LD](#)
[896-30-004-00-000000](#) [KUSBVX-BS1N-W30](#) [KUSBX-AP-KIT-SCBLK](#) [KUSBX-AS2N-W](#) [KUSBX-SMT2AP1S-W](#) [KUSBX-SMTAS1NBTR](#) [KUSBX-SMTBS1NBTR](#) [30-498-6](#) [SK-60A-2](#) [17-200261](#) [17-210051](#) [1734082-1](#) [FK-37-32SL](#) [30-1574](#) [30-470](#) [30-489](#) [30-541](#) [30-572-3](#) [30-9503](#) [M9177/2-1](#) [MAB 5 S](#) [MIKROE-1451](#) [33UBBR-04SW11R](#) [USBFTV2PEM2G](#) [USBFTVC6ZN](#) [USBFTVSCCG](#)
[KUSBX-AS2N-W30](#) [KUSBX-SLAS1N-W](#) [KUSBX-SLAS1N-W30](#) [1-1734084-2](#) [E8110-001-01](#) [MUSBC11135](#) [NK-27-32SL](#)