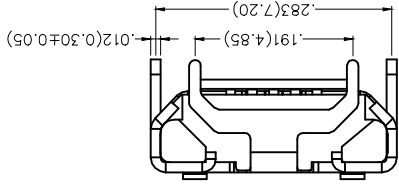
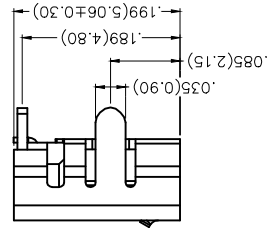
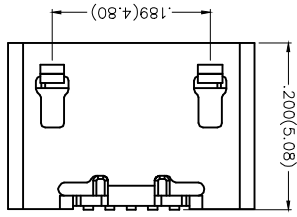
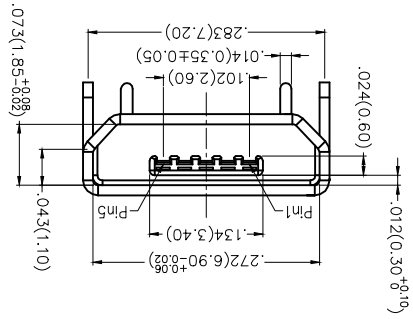
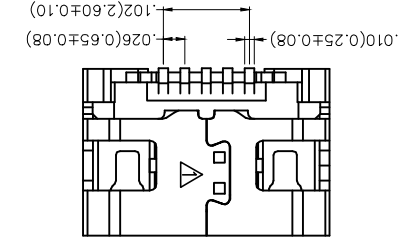
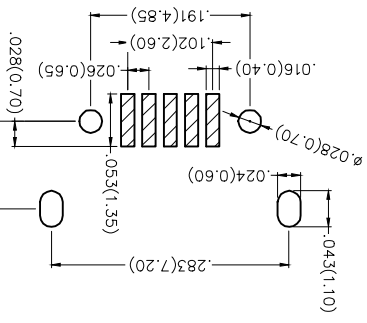
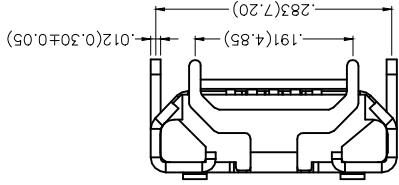
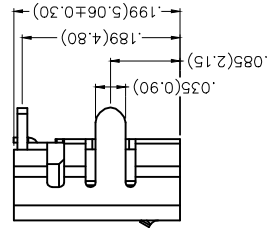
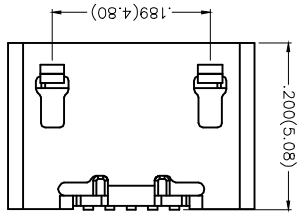
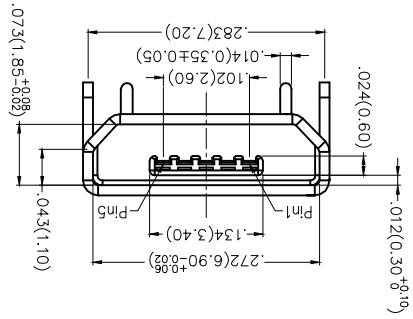
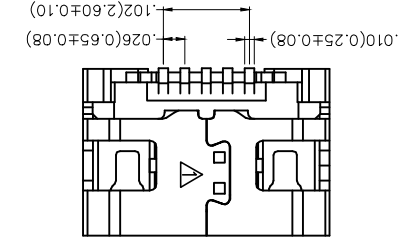
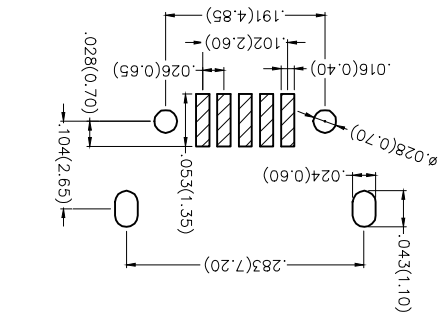


Recommended P.C.Board Layout



THIRD ANGLE PROJECTION	DESIGN UNITS	SCALE	SIZE
	Inch (metric)	5:1	A4

GENERAL TOLERANCES (UNLESS SPECIFIED)	X.±.012(0.30)	X.XX±.006(0.15)	X.XXX±.004(0.10)
	X.±.5	.XX±.1	.XXX±.05

APPROVE BY	DATE	CHECKED BY	DATE	DRAWN BY	DATE
FRANK	18/JUN/13	CHERRY	18/JUN/13	KATE	18/JUN/13

PART NO.	ITEM NO.	TITLE
FUS426-FSBK6M	FUS426	Micro USB
5 Circuits 90° Angle Female (SMT)		

THIS DRAWING CONTAINS INFORMATION THAT IS PROPRIETARY TO TXGA INDUSTRIAL ELECTRONICS(SZ)CO.,LTD AND SHOULD NOT BE USED WITHOUT WRITTEN PERMISSION

REV 1 SHEET NO. 1/1

Leader Of Industry



Electrical

Current Rating: 1A AC(rms)/DC

Voltage Rating: 30V AC(rms)/DC

Contact Resistance: 30 mΩ Max

Insulation Resistance: 100 MΩ MIN

Withstanding Voltage: 100V AC r.m.s

Temperature Range—Operating: -30°C~+80°C

Material and Plating

Housing: Thermoplast(UL 94V-0)

Contact Pin: Phosphor Bronze

Plating: Gold Plated

REV	LOCATIONS	DESCRIPTION	DATE	REVISER	APPD
1		Structure optimization	25/JUN/18	KATE	FRANK

X-ON Electronics

Largest Supplier of Electrical and Electronic Components

Click to view similar products for [USB Connectors](#) category:

Click to view products by [TXGA](#) manufacturer:

Other Similar products are found below :

[10033527-N3112MLF](#) [17-210561](#) [GMCB05B11124H1EU](#) [17-200931](#) [65-647-8-BK-BU](#) [690-010-295-484](#) [73725-1191BLF](#) [950](#) [E8144-B01021-L](#) [A-USB A-LP-SMT-C](#) [A-USB B-TOP-C](#) [MUSBA511N5](#) [MUSBB15131](#) [MUSBC111M5](#) [MUSBD11135](#) [217450-1](#) [CA 6 W LD](#)
[896-30-004-00-000000](#) [KUSBVX-BS1N-W30](#) [KUSBX-AP-KIT-SCBLK](#) [KUSBX-AS2N-W](#) [KUSBX-SMT2AP1S-W](#) [KUSBX-SMTAS1NBTR](#) [KUSBX-SMTBS1NBTR](#) [30-498-6](#) [SK-60A-2](#) [17-200261](#) [17-210051](#) [1734082-1](#) [FK-37-32SL](#) [30-1574](#) [30-470](#) [30-489](#) [30-541](#) [30-572-3](#) [30-9503](#) [M9177/2-1](#) [MAB 5 S](#) [MIKROE-1451](#) [33UBBR-04SW11R](#) [USBFTV2PEM2G](#) [USBFTVC6ZN](#) [USBFTVSCCG](#)
[KUSBX-AS2N-W30](#) [KUSBX-SLAS1N-W](#) [KUSBX-SLAS1N-W30](#) [1-1734084-2](#) [E8110-001-01](#) [MUSBC11135](#) [NK-27-32SL](#)