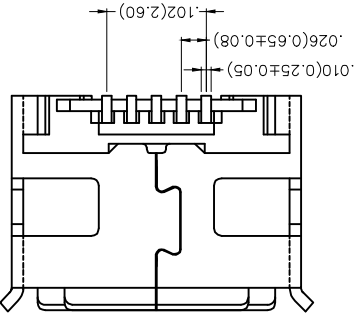
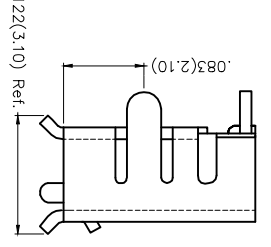
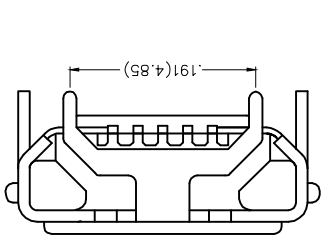
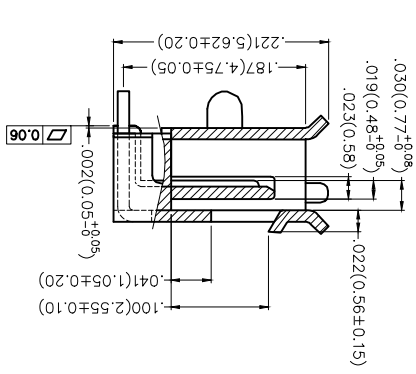
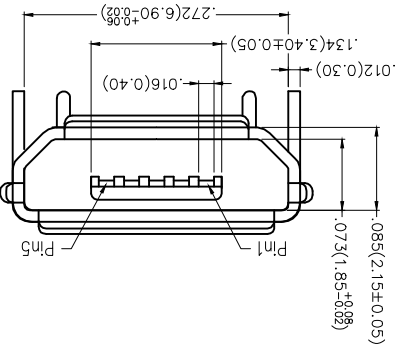
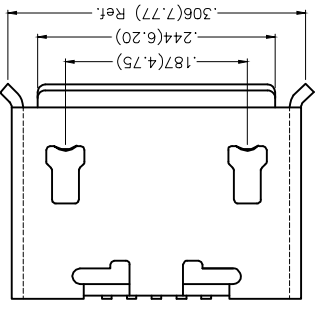
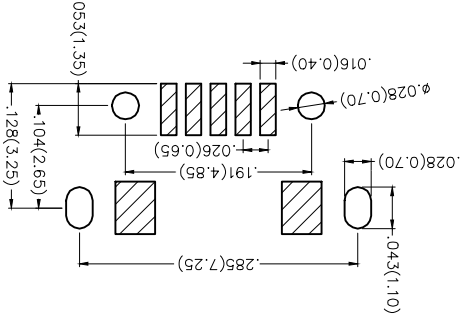


REV	LOCATIONS	DESCRIPTION	DATE	REVISER	APPD

Electrical
 Current Rating: 1A AC(rms)/DC
 Voltage Rating: 30V AC(rms)/DC
 Contact Resistance: 50 mΩ Max
 Insulation Resistance: 100 MΩ MIN
 Withstanding Voltage: 100V AC r.m.s
 Temperature Range—Operating: -30°C~+80°C
 Material and Plating
 Housing: Thermoplastic (UL 94V-0)Black
 Contact Pin: Phosphor Bronze
 Plating: Selective gold in contact area, Tin on tail.



Recommended P.C.Board Layout
 General Tolerances: ±0.05mm



THIRD ANGLE PROJECTION		DESIGN UNITS	SCALE	SIZE	GENERAL TOLERANCES (UNLESS SPECIFIED)	APPROVE BY	DATE	PART NO.	ITEM NO.
		X.±.012(0.30)	X.XX±.006(0.15)	A4	X.XX±.004(0.10)	FRANK	18/JUN/13	FUS435-FSBK6M	FUS435
		X.±.008(0.20)	X.XX±.006(0.15)	5:1	X.XX±.004(0.10)	CHECKED BY	18/JUN/13	FUS435-FSBK6M	FUS435
		X.±.008(0.20)	X.XX±.006(0.15)	5:1	X.XX±.004(0.10)	DATE	18/JUN/13	FUS435-FSBK6M	FUS435
		X.±.008(0.20)	X.XX±.006(0.15)	5:1	X.XX±.004(0.10)	DRAWN BY	18/JUN/13	FUS435-FSBK6M	FUS435
		X.±.008(0.20)	X.XX±.006(0.15)	5:1	X.XX±.004(0.10)	DATE	18/JUN/13	FUS435-FSBK6M	FUS435
		X.±.008(0.20)	X.XX±.006(0.15)	5:1	X.XX±.004(0.10)	DATE	18/JUN/13	FUS435-FSBK6M	FUS435

TXGA
 Leader Of Industry

Micro USB
 Circuits 90°Angle Female(SMT)
 REV 0
 SHEET NO. 1/1

THIS DRAWING CONTAINS INFORMATION THAT IS PROPRIETARY TO TXGA INDUSTRIAL ELECTRONICS(SZ)CO.,LTD AND SHOULD NOT BE USED WITHOUT WRITTEN PERMISSION

X-ON Electronics

Largest Supplier of Electrical and Electronic Components

Click to view similar products for [USB Connectors](#) category:

Click to view products by [TXGA](#) manufacturer:

Other Similar products are found below :

[10033527-N3112MLF](#) [17-210561](#) [GMCB05B11124H1EU](#) [17-200931](#) [65-647-8-BK-BU](#) [690-010-295-484](#) [73725-1191BLF](#) [950](#) [E8144-B01021-L](#) [A-USB A-LP-SMT-C](#) [A-USB B-TOP-C](#) [MUSBA511N5](#) [MUSBB15131](#) [MUSBC111M5](#) [MUSBD11135](#) [217450-1](#) [CA 6 W LD](#)
[896-30-004-00-000000](#) [KUSBVX-BS1N-W30](#) [KUSBX-AP-KIT-SCBLK](#) [KUSBX-AS2N-W](#) [KUSBX-SMT2AP1S-W](#) [KUSBX-SMTAS1NBTR](#) [KUSBX-SMTBS1NBTR](#) [30-498-6](#) [SK-60A-2](#) [17-200261](#) [17-210051](#) [1734082-1](#) [FK-37-32SL](#) [30-1574](#) [30-470](#) [30-489](#) [30-541](#) [30-572-3](#) [30-9503](#) [M9177/2-1](#) [MAB 5 S](#) [MIKROE-1451](#) [33UBBR-04SW11R](#) [USBFTV2PEM2G](#) [USBFTVC6ZN](#) [USBFTVSCCG](#)
[KUSBX-AS2N-W30](#) [KUSBX-SLAS1N-W](#) [KUSBX-SLAS1N-W30](#) [1-1734084-2](#) [E8110-001-01](#) [MUSBC11135](#) [NK-27-32SL](#)