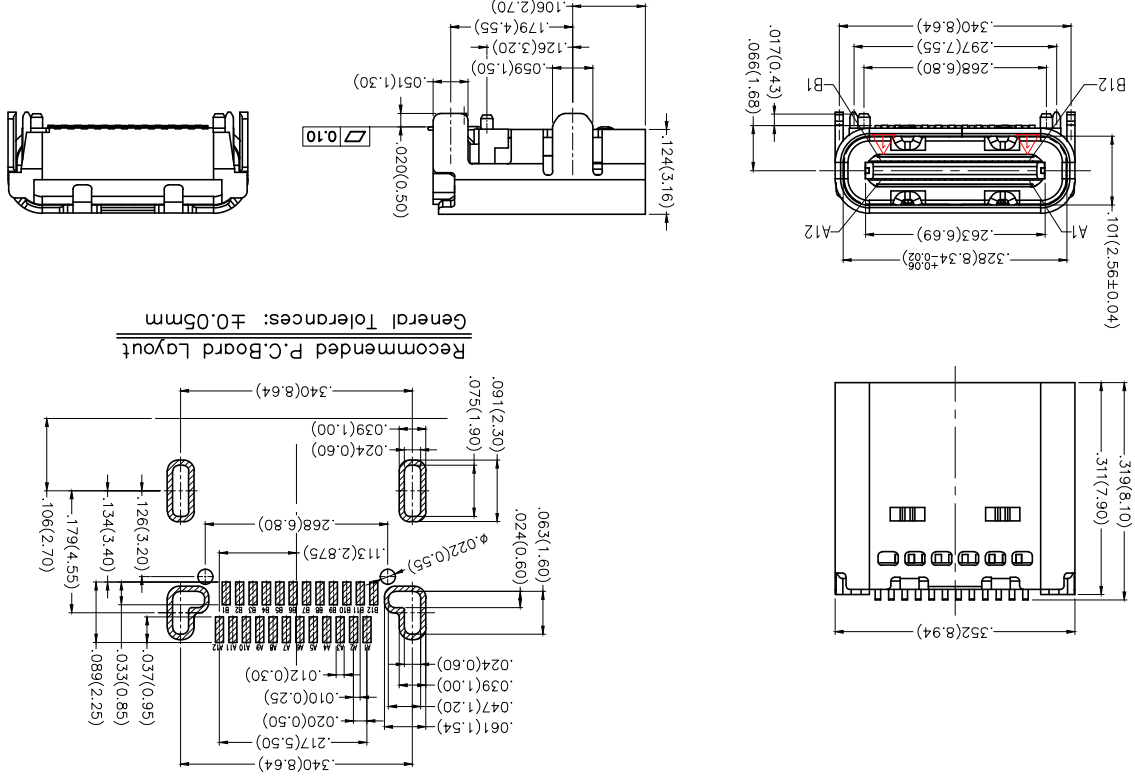


REV	LOCATIONS	DESCRIPTION	DATE	REVISER	APPD
1		Structure optimization	17/SEP/18	KATE	ANDY

SPECIFICATIONS

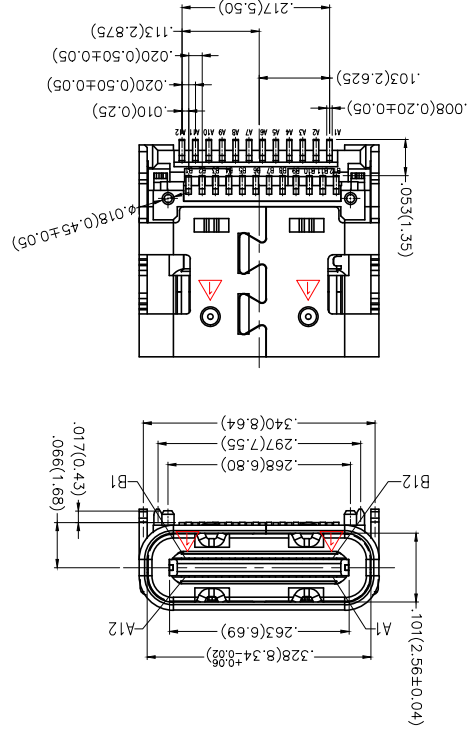
Electrical
 Current Rating: 3.0A AC(rms)/DC
 Voltage Rating: 5V AC(rms)/DC
 Contact Resistance: 40 mΩ Max
 Withstanding Voltage: 100V AC r.m.s
 Insulation Resistance: 100 MΩ Min
 Temperature Range—Operating: -25°C~+85°C
Mechanical
 Insertion Force: 5~20N
 Withdrawal Force: 8~20N
 Durability: 10,000 Cycles
Material and Plating
 Housing: Thermoplastic (UL 94V-0) Black
 Terminal: Copper Alloy/ Gold Plated
 Shell: Stainless steel/ Nickel Plated
 Shielding plate: Stainless steel/ Nickel Plated

Recommended P.C.Board Layout
 General Tolerances: ±0.05mm



Circuits	A	Circuits	B
1	GND	12	GND
2	SSTXP1	11	SSTXP2
3	SSTXN1	10	SSRXN2
4	VBUS	9	VBUS
5	SBU1	8	SBU2
6	DP1	7	DP2
7	CC1	6	CC2
8	SBU2	5	VBUS
9	VBUS	4	SBU1
10	SSTXN1	3	SSTXP2
11	SSTXP1	2	SSTXN2
12	GND	1	GND

GENERAL TOLERANCES (UNLESS SPECIFIED)	APPROVE BY	DATE	PART NO.	ITEM NO.
	FRANK	06/MAR/17	FUS605-FSBK6M	FUS605
	CHECKED BY	DATE	TITLE	
	CHERRY	06/MAR/17	USB C-type 90° Angle Female(SMT)(3.1)	
	DRAWN BY	DATE	THIS DRAWING CONTAINS INFORMATION THAT IS PROPRIETARY TO TXGA INDUSTRIAL ELECTRONICS(Z)CO.,LTD AND SHOULD NOT BE USED WITHOUT WRITTEN PERMISSION	
	KATE	06/MAR/17		
THIRD ANGLE PROJECTION				
DESIGN UNITS Inch (metric)	X.XX±.008(0.20)	X.XX±.006(0.15)	X.XX±.004(0.10)	X.XX±0.5
SCALE 5:1 A4				



X-ON Electronics

Largest Supplier of Electrical and Electronic Components

Click to view similar products for [USB Connectors](#) category:

Click to view products by [TXGA](#) manufacturer:

Other Similar products are found below :

[10033527-N3112MLF](#) [17-210561](#) [GMCB05B11124H1EU](#) [17-200931](#) [65-647-8-BK-BU](#) [690-010-295-484](#) [73725-1191BLF](#) [950](#) [E8144-B01021-L](#) [A-USB A-LP-SMT-C](#) [A-USB B-TOP-C](#) [MUSBA511N5](#) [MUSBB15131](#) [MUSBC111M5](#) [MUSBD11135](#) [217450-1](#) [CA 6 W LD](#)
[896-30-004-00-000000](#) [KUSBVX-BS1N-W30](#) [KUSBX-AP-KIT-SCBLK](#) [KUSBX-AS2N-W](#) [KUSBX-SMT2AP1S-W](#) [KUSBX-SMTAS1NBTR](#) [KUSBX-SMTBS1NBTR](#) [30-498-6](#) [SK-60A-2](#) [17-200261](#) [17-210051](#) [1734082-1](#) [FK-37-32SL](#) [30-1574](#) [30-470](#) [30-489](#) [30-541](#) [30-572-3](#) [30-9503](#) [M9177/2-1](#) [MAB 5 S](#) [MIKROE-1451](#) [33UBBR-04SW11R](#) [USBFTV2PEM2G](#) [USBFTVC6ZN](#) [USBFTVSCCG](#)
[KUSBX-AS2N-W30](#) [KUSBX-SLAS1N-W](#) [KUSBX-SLAS1N-W30](#) [1-1734084-2](#) [E8110-001-01](#) [MUSBC11135](#) [NK-27-32SL](#)