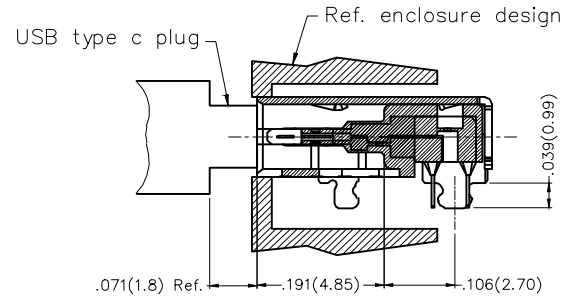
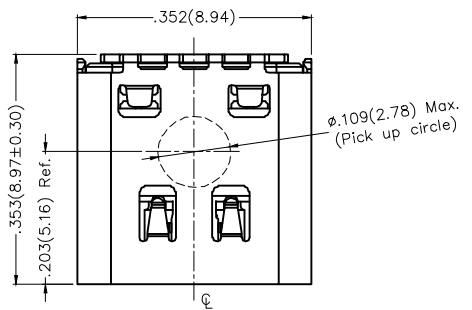


| REV | LOCATIONS | DESCRIPTION | DATE | REVISER | APPD |
|-----|-----------|-------------|------|---------|------|
| | | | | | |



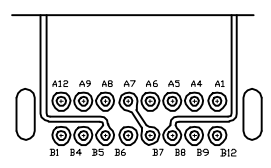
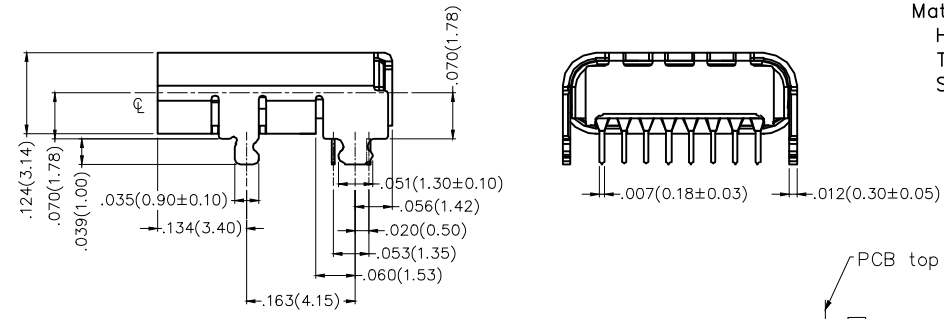
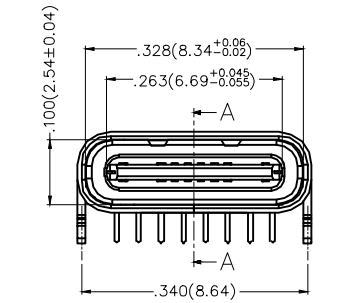
Section A-A

SPECIFICATIONS

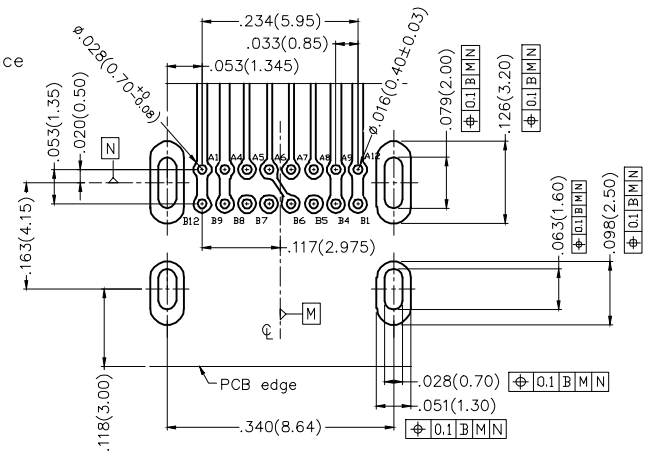
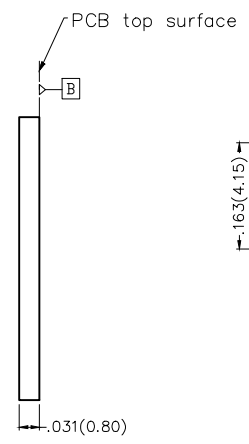
Electrical
 Current Rating: 5A AC(rms)/DC (VBUS)
 1.25A AC(rms)/DC (Others)
 Voltage Rating: 20V AC(rms)/DC
 Contact Resistance: 50 mΩ Max
 Withstanding Voltage: 100V AC r.m.s
 Insulation Resistance: 100 MΩ Min
 Temperature Range-Operating: -30°C~+85°C

Mechanical
 Insertion Force: 5~20N
 Withdrawal Force: 8~20N(0~1,000 cycles)
 5~20N(1,000~10,000 cycles)
 Durability: 10,000 cycles

Material and Plating
 Housing: LCP (UL 94V-0) Black
 Terminal: Copper alloy/ 1μ" Gold plated in contact area, tin on tail
 Shell: Stainless steel/ Nickel plated

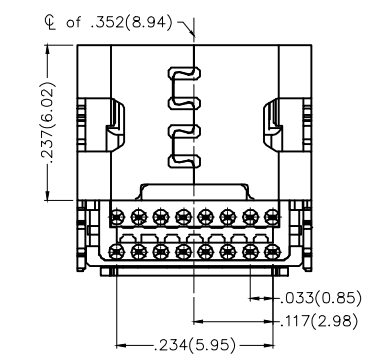


PCB bottom surface



Recommended P.C.Board Layout

General Tolerances: ±0.05mm



| Circuits | A | Circuits | B |
|----------|------|----------|------|
| A1 | GND | B12 | GND |
| A4 | VBUS | B9 | VBUS |
| A5 | CC1 | B8 | SBU2 |
| A6 | DP1 | B7 | DN2 |
| A7 | DN1 | B6 | DP2 |
| A8 | SBU1 | B5 | CC2 |
| A9 | VBUS | B4 | VBUS |
| A12 | GND | B1 | GND |

| THIRD ANGLE PROJECTION | | GENERAL TOLERANCES (UNLESS SPECIFIED) | | APPROVE BY | DATE | PART NO. | ITEM NO. |
|------------------------|---------------|---------------------------------------|-----------|------------|-----------|--|----------|
| DESIGN UNITS | Inch (metric) | X.±.012(0.30) | X.±5' | FRANK | 06/MAR/18 | FUS621-FDBK6M | FUS621 |
| SCALE | SIZE | X.X±.008(0.20) | X.±2' | CHECKED BY | DATE | TITLE | |
| 5:1 | A4 | X.XX±.006(0.15) | .XX±1' | CHERRY | 06/MAR/18 | USB C-type | |
| | | X.XXX±.004(0.10) | .XXX±0.5' | DRAWN BY | DATE | 90° Angle Female(DIP)(3.1) | |
| | | | | KATE | 06/MAR/18 | THIS DRAWING CONTAINS INFORMATION THAT IS PROPRIETARY TO TXGA INDUSTRIAL ELECTRONICS(S.Z)CO.,LTD AND SHOULD NOT BE USED WITHOUT WRITTEN PERMISSION | |



REV 0 SHEET NO. 1/1

X-ON Electronics

Largest Supplier of Electrical and Electronic Components

Click to view similar products for [USB Connectors](#) category:

Click to view products by [TXGA](#) manufacturer:

Other Similar products are found below :

[950](#) [A-USB A-LP-SMT-C](#) [A-USB B-TOP-C](#) [MUSBA511N5](#) [MUSBC111M5](#) [MUSBD11135](#) [17-200721](#) [217450-1](#) [KMBVX-TH-5S-B30](#)
[896-30-004-00-000000](#) [KUSBX-AS2N-W](#) [KUSBX-SMT2AP1S-W30](#) [935](#) [957](#) [30-498-6](#) [SK-60A-2](#) [1734082-1](#) [30-1574](#) [30-470](#) [30-489](#) [30-](#)
[541](#) [30-572-3](#) [A-USB A-2P-C](#) [MIKROE-1451](#) [USBFTV2PEM2G](#) [USBFTVSCCG](#) [4689-1](#) [1-1734084-2](#) [MUSBC11135](#) [USBF21ZNSCC](#)
[USBBFTV6ZC](#) [MUSBB151341](#) [10135326-001LF](#) [M9177/3-1](#) [TJ-105](#) [USB-A-S-F-B-VT](#) [4198](#) [690-024-633-031](#) [UB-20PMFP-LC7001](#)
[USBFTVC6MRG](#) [UA-20BMFA-SL8001](#) [17-200011](#) [USBFTVC7ZC](#) [UB-20AFMM-LL7A01](#) [USBFTVC2MN](#) [CAP-WCCMLPB1](#) [1310-](#)
[1031-01](#) [2041386-1](#) [2274475-3](#) [UB-20BMFA-SL8001](#)