

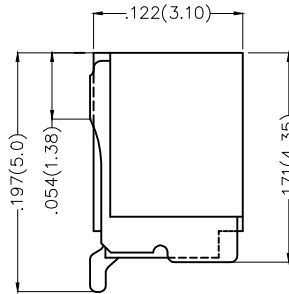
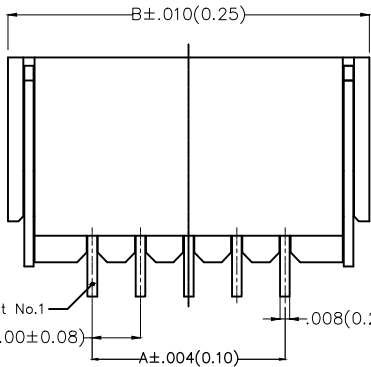
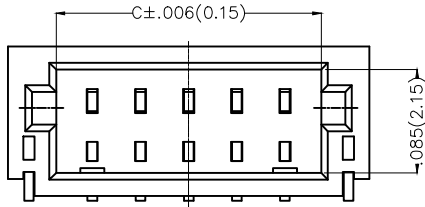
REV	LOCATIONS	DESCRIPTION	DATE	REVISER	APPD
1		Add Keep out area	08/JAN/20	KATE	CHERRY
2		Change the packaging specification	17/NOV/20	KATE	CHERRY

Electrical

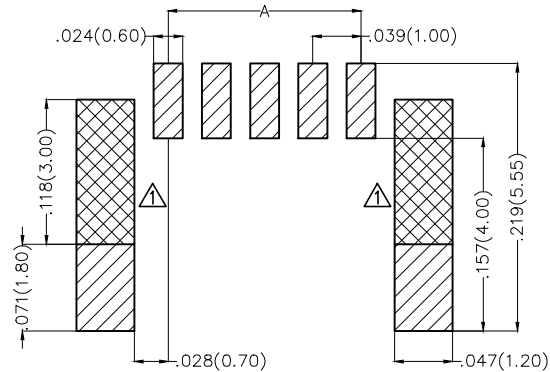
Current Rating: 1A AC(rms)/DC
Voltage Rating: 50V AC(rms)/DC
Contact Resistance: 20 mΩ Max
Insulation Resistance: 100 MΩ MIN
Withstanding Voltage: 500V AC r.m.s
Temperature Range-Operating: -25°C~+85°C

Material and Plating

Housing: PA9T(UL 94V-0)
Contact Pin: Brass/ Tin plated
Solder Tab: Copper alloy/ Tin plated



Circuit No.1
.039(1.00±0.08)
A±.004(0.10)
.008(0.20±0.05)



Recommended P.C.Board Layout

Ordering Information

FWF 100 01 — S XX B 2 4 W5 M
1 2 3 4 5 6 7 8 9 10

1	Category FWF-Wafer	2	Series Number 100-Pitch1.0mm	3	Distinction No. 01	4	Row Option Single Row	5	Circuits XX	6	Entry Angle B-90° Angle
7	Plating 2-Tin Plated	8	Material-Resin 4-PA9T	9	Color-Resin W5-White	10	Packaging M-Reel				

THIRD ANGLE PROJECTION		GENERAL TOLERANCES (UNLESS SPECIFIED)		APPROVE BY	DATE	PART NO.	ITEM NO.	TXGA Leader Of Industry	
DESIGN UNITS Inch (metric)		X.±.012(0.30)	X.±5°	FRANK	28/JUN/13	FWF10001-SXXB24W5M	FWF10001	REV 2 SHEET NO. 1/3	
SCALE	SIZE	X.XX±.008(0.20)	.X'±2°	CHECKED BY	DATE	TITLE		THIS DRAWING CONTAINS INFORMATION THAT IS PROPRIETARY TO TXGA INDUSTRIAL ELECTRONICS(S.Z)CO.,LTD AND SHOULD NOT BE USED WITHOUT WRITTEN PERMISSION	
5:1	A4	X.XX±.006(0.15)	.XX'±1°	JACOB	28/JUN/13	Wire to Board (Wafer) Pitch 1.0mm 90° Angle (SMT)			
		X.XXX±.004(0.10)	.XXX'±0.5°	DRAWN BY	DATE				
				CHERRY	28/JUN/13				

1 2 3 4 5 6 7 8

REV	LOCATIONS	DESCRIPTION	DATE	REVISER	APPD

A

A

B

B

C

C

D

D

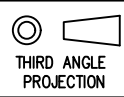

E

E

F

F

Circuits (n)	Part No.	Dimensions(in/mm)			Circuits (n)	Part No.	Dimensions(in/mm)		
		A	B	C			A	B	C
2	FWF10001-S02B24W5M	.039(1.00)	.177(4.50)	.102(2.60)	11	FWF10001-S11B24W5M	.394(10.00)	.531(13.50)	.457(11.60)
3	FWF10001-S03B24W5M	.078(2.00)	.217(5.50)	.142(3.60)	12	FWF10001-S12B24W5M	.433(11.00)	.571(14.50)	.496(12.60)
4	FWF10001-S04B24W5M	.118(3.00)	.256(6.50)	.181(4.60)	13	FWF10001-S13B24W5M	.472(12.00)	.610(15.50)	.535(13.60)
5	FWF10001-S05B24W5M	.157(4.00)	.295(7.50)	.220(5.60)	14	FWF10001-S14B24W5M	.512(13.00)	.650(16.50)	.575(14.60)
6	FWF10001-S06B24W5M	.197(5.00)	.335(8.50)	.260(6.60)	15	FWF10001-S15B24W5M	.551(14.00)	.689(17.50)	.614(15.60)
7	FWF10001-S07B24W5M	.236(6.00)	.374(9.50)	.299(7.60)	16	FWF10001-S16B24W5M	.591(15.00)	.728(18.50)	.654(16.60)
8	FWF10001-S08B24W5M	.276(7.00)	.413(10.50)	.339(8.60)	17	FWF10001-S17B24W5M	.630(16.00)	.768(19.50)	.693(17.60)
9	FWF10001-S09B24W5M	.315(8.00)	.453(11.50)	.378(9.60)	18	FWF10001-S18B24W5M	.669(17.00)	.807(20.50)	.732(18.60)
10	FWF10001-S10B24W5M	.354(9.00)	.492(12.50)	.417(10.60)	20	FWF10001-S20B24W5M	.748(19.00)	.886(22.50)	.811(20.60)

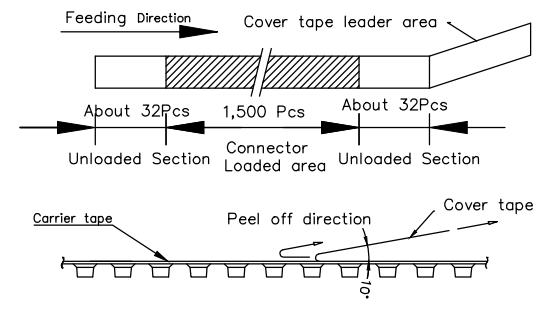
 THIRD ANGLE PROJECTION	GENERAL TOLERANCES (UNLESS SPECIFIED)		APPROVE BY	DATE	PART NO.	ITEM NO.	 Leader Of Industry	
	X.±.012(0.30)	X.±5°	FRANK	28/JUN/13	FWF10001-SXXB24W5M	FWF10001		
	X.X±.008(0.20)	.X±2°	CHECKED BY	DATE	TITLE	REV 2		SHEET NO. 2/3
	X.XX±.006(0.15)	.XX±1°	JACOB	28/JUN/13	Wire to Board (Wafer) Pitch 1.0mm 90° Angle (SMT)			
SCALE	SIZE	X.XXX±.004(0.10)	.XXX±0.5°	DRAWN BY	DATE	THIS DRAWING CONTAINS INFORMATION THAT IS PROPRIETARY TO TXGA INDUSTRIAL ELECTRONICS(S.Z)CO.,LTD AND SHOULD NOT BE USED WITHOUT WRITTEN PERMISSION		
5:1	A4			CHERRY	28/JUN/13			

1 2 3 4 5 6 7 8

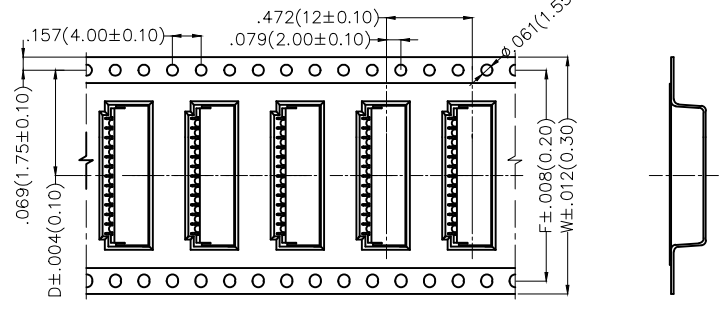
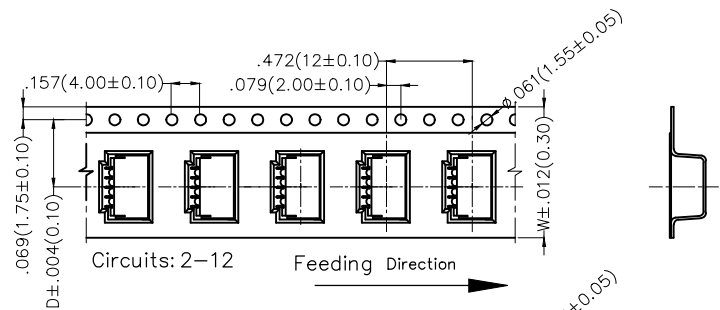
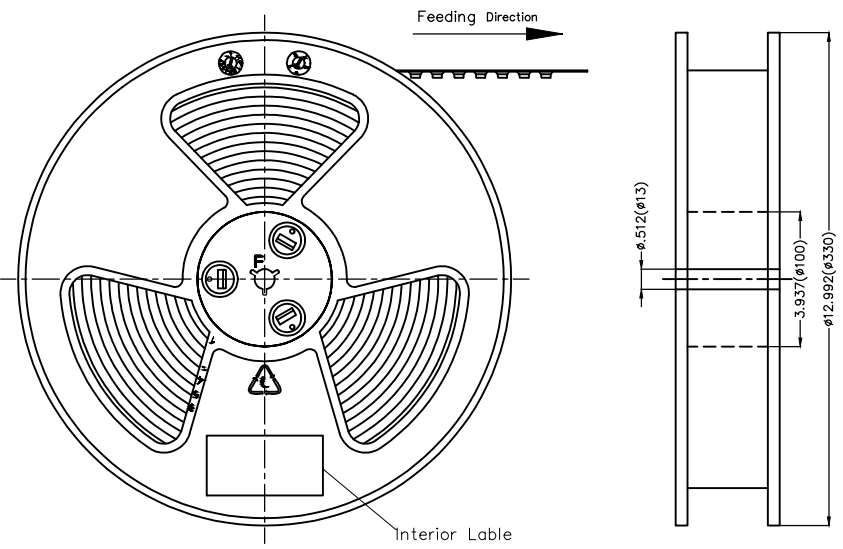
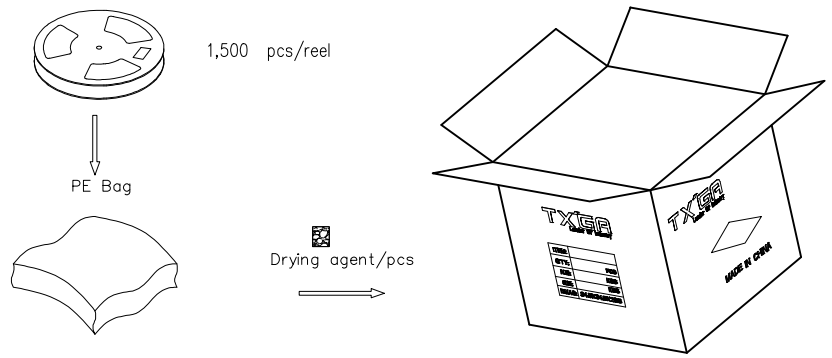
REV	LOCATIONS	DESCRIPTION	DATE	REVISER	APPD

Note:

1. 10 sprocket hole cumulative tolerance ± 0.2
2. Carrier camber is within 1.0mm in 250mm
3. Material: White Conductive polystyrene Alloy 100% recyclable
4. All dimensions meet EIA-481-3 requirements
5. Peel off force of cover tape & carrier tape: 20g~130g(0.2N~1.3N)
6. Component load per 13" reel: 1,500 pcs



Circuits (n)	Dimensions(in/mm)		
	D	W	F
2~5	.295(7.50)	.630(16.00)	-
6~12	.453(11.50)	.945(24.00)	-
13~16	.561(14.25)	1.260(32.00)	1.122(28.50)
17~20	.797(20.25)	1.732(44.00)	1.594(40.50)



 THIRD ANGLE PROJECTION	GENERAL TOLERANCES (UNLESS SPECIFIED)		APPROVE BY FRANK	DATE 28/JUN/13	PART NO. FWF10001-SXXB24W5M	ITEM NO. FWF10001	 Leader Of Industry
	DESIGN UNITS Inch (metric)	X. \pm .012(0.30)	X. \pm 5'	CHECKED BY JACOB	DATE 28/JUN/13	TITLE Wire to Board (Wafer) Pitch 1.0mm 90° Angle (SMT)	
SCALE 5:1	SIZE A4	X.XX \pm .006(0.15)	.XX \pm 1'	DRAWN BY CHERRY	DATE 28/JUN/13	THIS DRAWING CONTAINS INFORMATION THAT IS PROPRIETARY TO TXGA INDUSTRIAL ELECTRONICS(S.Z)CO.,LTD AND SHOULD NOT BE USED WITHOUT WRITTEN PERMISSION	
		X.XXX \pm .004(0.10)	.XXX \pm 0.5'			REV 2	SHEET NO. 3/3

X-ON Electronics

Largest Supplier of Electrical and Electronic Components

Click to view similar products for [Headers & Wire Housings](#) category:

Click to view products by [TXGA](#) manufacturer:

Other Similar products are found below :

[57102-F02-18ULF](#) [58102-G61-06LF](#) [0009485154](#) [009176003701906](#) [0050291907](#) [02.125.8002.8](#) [609-3404](#) [61062-3](#) [622-0430](#) [622-3653LF](#)
[63453-116](#) [636-1030](#) [636-1427](#) [636-3427](#) [636-4007](#) [641938-9](#) [644827-2](#) [65495-038](#) [65692-001LF](#) [65781-018](#) [65781-047](#) [65817-010LF](#)
[65817-015LF](#) [66207-023LF](#) [67016-026LF](#) [67095-007LF](#) [68631-112](#) [68645-018](#) [68648-049](#) [699319-000](#) [70.362.1628.0](#) [70-4210](#) [70-4226B](#)
[70-4853B](#) [707-5020](#) [707-5028](#) [71.350.2428.0](#) [71961-016LF](#) [733-134](#) [754199-000](#) [760-3052](#) [787-8014-00](#) [FCN-367T-T012/H](#) [80.063.4001.1](#)
[800-90-010-10-002000](#) [801-43-002-10-013000](#) [801-43-006-10-002000](#) [803-41-018-10-001000](#) [803-43-014-20-001000](#) [803-43-024-10-001000](#)