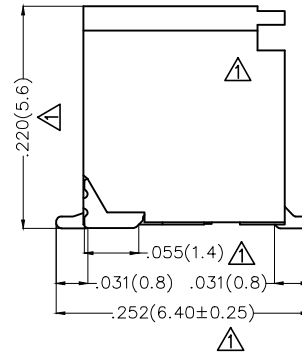
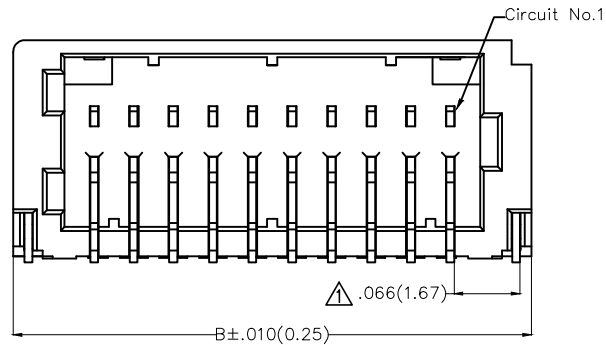
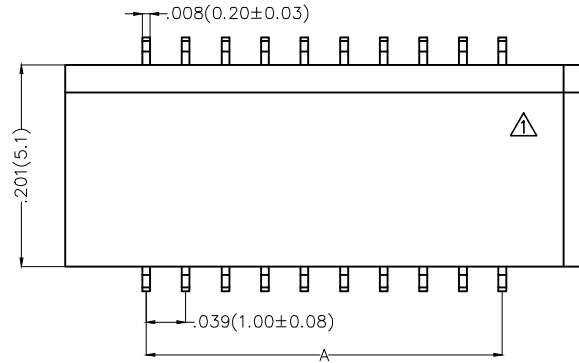


REV	LOCATIONS	DESCRIPTION	DATE	REVISER	APPD
1	△	Structural and size changes	28/APR/21	KATE	CHERRY

**Electrical**

Current Rating: 1A AC(rms)/DC(AWG32)  
Voltage Rating: 50V AC(rms)/DC  
Contact Resistance: 20 mΩ Max  
Insulation Resistance: 100 MΩ MIN  
Withstanding Voltage: 500V AC r.m.s  
Temperature Range—Operating: -25°C~+85°C  
**Material and Plating**  
Housing: PA9T ( UL 94V-0)  
Contact Pin: Brass  
Plating: Gold Plated

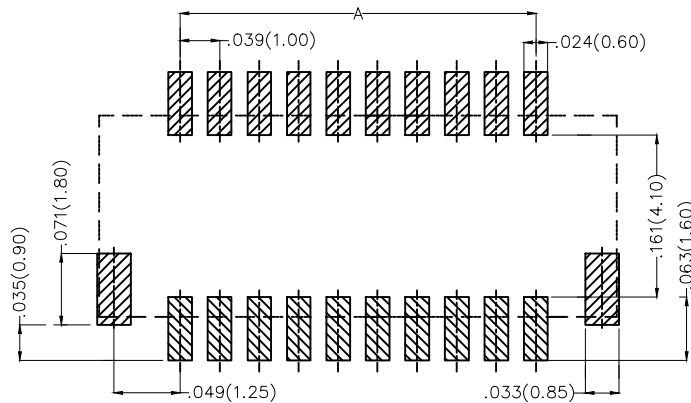


Circuits (n)	Part No.	Dimensions(in/mm)	
		A	B △
10	FWF10004-D10B14W5M	.157(4.00)	.319(8.10)
20	FWF10004-D20B14W5M	.354(9.00)	.516(13.10)
30	FWF10004-D30B14W5M	.551(14.00)	.713(18.10)
40	FWF10004-D40B14W5M	.748(19.00)	.909(23.10)
50	FWF10004-D50B14W5M	.945(24.00)	1.106(28.10)


**Ordering Information**

FWF 100 04 — D XX B 1 4 W5 M  
1 2 3 4 5 6 7 8 9 10

1 Category FWF-Wafer	2 Series Number 100-Pitch1.0mm	3 Distinction No. 04	4 Row Option D-Double Row	5 Circuits XX	6 Entry Angle B-90° Angle
7 Plating 1-Gold Plated	8 Material-Resin 4-PA9T	9 Color-Resin W5-White	10 Packaging M-Reel		



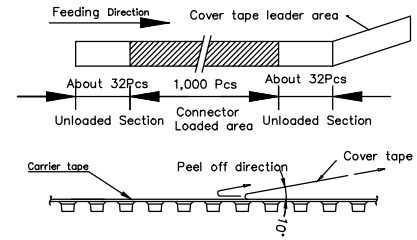
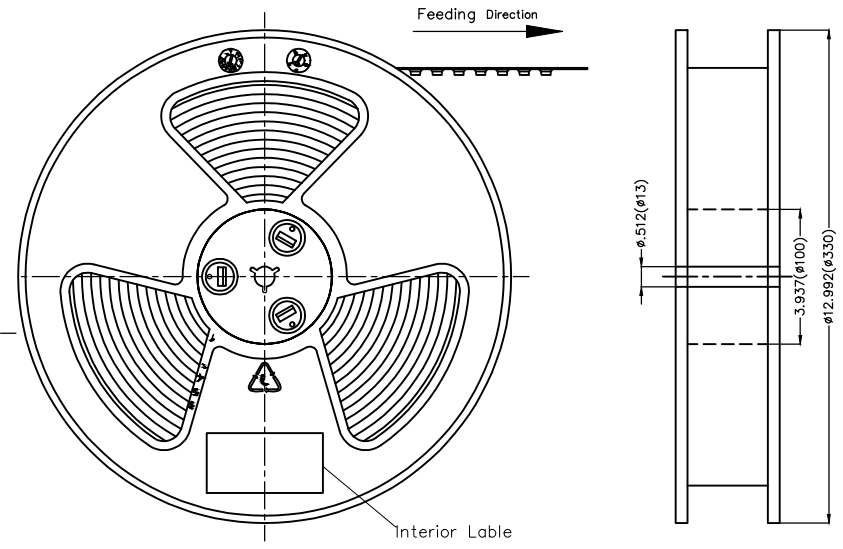
**Recommended P.C.Board Layout**  
Tolerances: ±.002(0.05)

THIRD ANGLE PROJECTION	GENERAL TOLERANCES (UNLESS SPECIFIED)		APPROVE BY	DATE	PART NO.	ITEM NO.	 Leader Of Industry
	DESIGN UNITS Inch (metric)	X.±.012(0.30)	X.±5'	FRANK	28/JUN/13	FWF10004-DXXB14W5M	
SCALE	X.X±.008(0.20)	.X±2'	CHECKED BY	DATE	TITLE		REV 1
5:1	X.XX±.006(0.15)	.XX±1'	JACOB	28/JUN/13	Wire to Board (Wafer) Pitch 1.0mm 90° Angle (SMT)		SHEET NO. 1/2
SIZE	X.XXX±.004(0.10)	.XXX±0.5'	DRAWN BY	DATE	THIS DRAWING CONTAINS INFORMATION THAT IS PROPRIETARY TO TXGA INDUSTRIAL ELECTRONICS(S.Z)CO.,LTD AND SHOULD NOT BE USED WITHOUT WRITTEN PERMISSION		
A4			CHERRY	28/JUN/13			

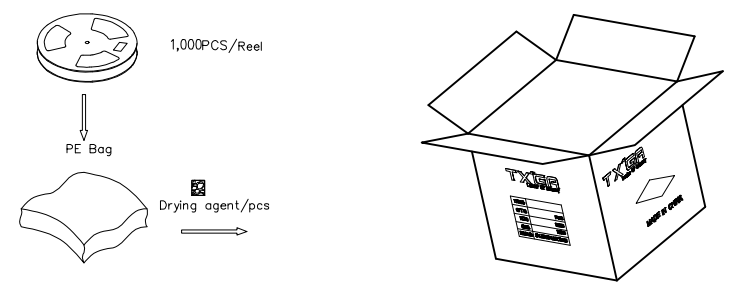
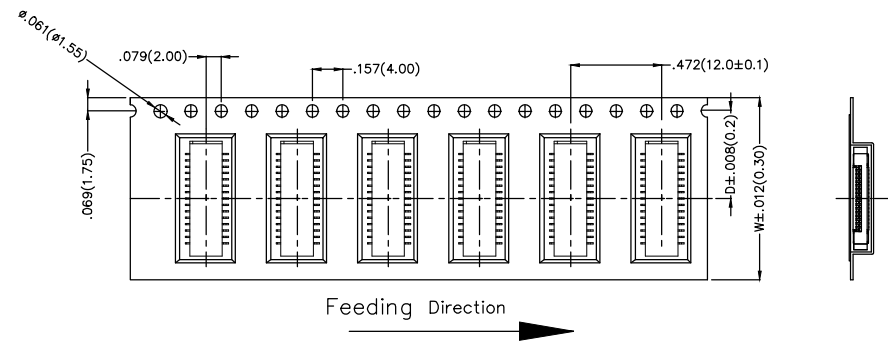
REV	LOCATIONS	DESCRIPTION	DATE	REVISER	APPD

Note:

- 10 sprocket hole cumulative tolerance±0.2
- Carrier camber is within 1.0mm in 250mm
- Material: White Conductive polystyrene Alloy 100% recyclable
- All dimensions meet EIA-481-3 requirements
- Peel off force of cover tape&carrier tape: 20g~130g(0.2N~1.3N)
- Component load per 13" reel: 1,000 pcs



Circuits (n)	Dimensions(in/mm)	
	D	W
10	.453(11.50)	.945(24.00)
20	.453(11.50)	.945(24.00)
30	.453(11.50)	.945(24.00)
40	.798(20.20)	1.732(44.00)
50	.798(20.20)	1.732(44.00)



 THIRD ANGLE PROJECTION	GENERAL TOLERANCES (UNLESS SPECIFIED)		APPROVE BY	DATE	PART NO.	ITEM NO.	 Leader Of Industry
	X.±.012(0.30)	X.±5'	FRANK	28/JUN/13	FWF10004-DXXB14W5M	FWF10004	
DESIGN UNITS Inch (metric)	X.X±.008(0.20)	.X'±2'	CHECKED BY	DATE	TITLE		REV 1    SHEET NO. 2/2
SCALE 5:1	X.XX±.006(0.15)	.XX'±1'	JACOB	28/JUN/13	Wire to Board (Wafer) Pitch 1.0mm 90° Angle (SMT)		
SIZE A4	X.XXX±.004(0.10)	.XXX'±0.5'	DRAWN BY	DATE	THIS DRAWING CONTAINS INFORMATION THAT IS PROPRIETARY TO TXGA INDUSTRIAL ELECTRONICS(S.Z)CO.,LTD AND SHOULD NOT BE USED WITHOUT WRITTEN PERMISSION		
			CHERRY	28/JUN/13			

## X-ON Electronics

Largest Supplier of Electrical and Electronic Components

*Click to view similar products for [Headers & Wire Housings](#) category:*

*Click to view products by [TXGA](#) manufacturer:*

Other Similar products are found below :

[0015917161](#) [0022155065](#) [57102-F02-18ULF](#) [58102-G61-06LF](#) [582553-1](#) [01.001.5753.1](#) [0050291907](#) [02.125.8002.8](#) [609-3404](#) [61062-3](#)  
[CSU011177004](#) [622-0430](#) [622-3653LF](#) [63453-116](#) [636-1030](#) [636-1427](#) [636-3427](#) [636-4007](#) [641938-9](#) [65495-038](#) [65692-001LF](#) [65781-018](#)  
[65781-047](#) [65817-010LF](#) [65817-015LF](#) [67095-007LF](#) [67601157](#) [68631-112](#) [68645-018](#) [699319-000](#) [70.362.1628.0](#) [70-4210](#) [70-4226B](#) [70-](#)  
[4853B](#) [71.350.2428.0](#) [733-134](#) [733-162](#) [760-3052](#) [MHR-64-VUAL](#) [80.063.4001.1](#) [800-90-001-10-001000](#) [801-43-002-10-013000](#)  
[801-43-006-10-002000](#) [803-43-024-10-001000](#) [803-93-012-10-001000](#) [8-1437020-4](#) [819-22-004-30-001101](#) [820-22-006-30-001101](#)  
[820-22-008-30-001101](#) [821-22-002-10-001101](#)