

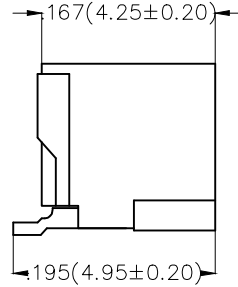
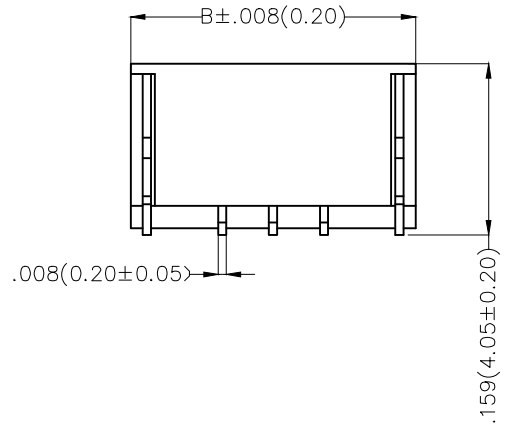
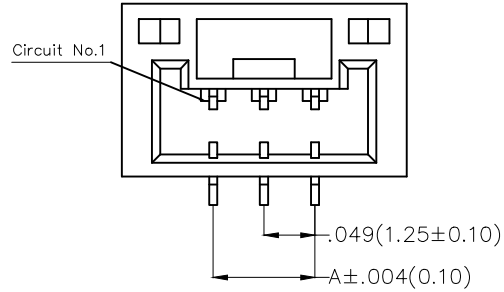
REV	LOCATIONS	DESCRIPTION	DATE	REVISER	APPD
1	△	Material-Resin change	26/APR/20	KATE	CHERRY

Electrical

Current Rating: 1.0A AC(rms)/DC
Voltage Rating: 125V AC(rms)/DC
Contact Resistance: 20 mΩ Max
Insulation Resistance: 100 MΩ MIN
Withstanding Voltage: 250V AC r.m.s
Temperature Range-Operating: -25°C~+85°C

Material and Plating

△ Housing: PA6T(UL 94V-0)
Contact Pin: Brass/ Tin plated
Solder Tab: Copper alloy/ Tin plated

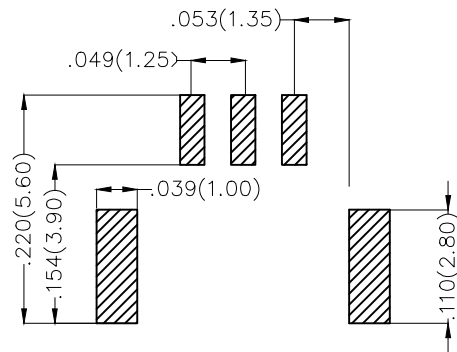


Circuits (n)	Part No.	Dimensions(in./mm)	
		A	B
2	FWF12513-S02S24W5M	.049(1.25)	.219(5.57)
3	FWF12513-S03S24W5M	.098(2.50)	.276(7.00)
4	FWF12513-S04S24W5M	.147(3.75)	.325(8.25)
5	FWF12513-S05S24W5M	.197(5.00)	.374(9.50)
6	FWF12513-S06S24W5M	.246(6.25)	.423(10.75)
7	FWF12513-S07S24W5M	.295(7.50)	.472(12.00)
8	FWF12513-S08S24W5M	.344(8.75)	.522(13.25)
9	FWF12513-S09S24W5M	.394(10.00)	.571(14.50)
10	FWF12513-S10S24W5M	.443(11.25)	.620(15.75)
11	FWF12513-S11S24W5M	.492(12.50)	.669(17.00)
12	FWF12513-S12S24W5M	.541(13.75)	.719(18.25)


Ordering Information

FWF 125 13 - S XX S 2 4 W5 M
1 2 3 4 5 6 7 8 9 10

1 Category FWF-Wafer	2 Series Number 125-Pitch1.25mm	3 Distinction No. 13	4 Row Option S-Single Row	5 Circuits XX	6 Entry Angle S-180° Vertical
7 Plating 2-Tin Plated	8 Material-Resin 4-PA6T △	9 Color-Resin W5-Natural	10 Packaging M-Reel		

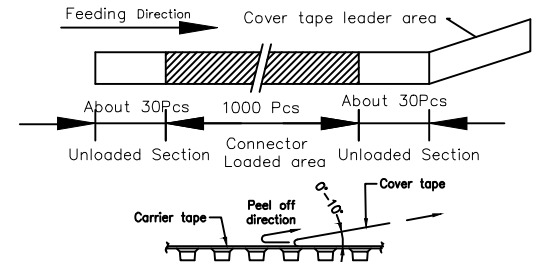
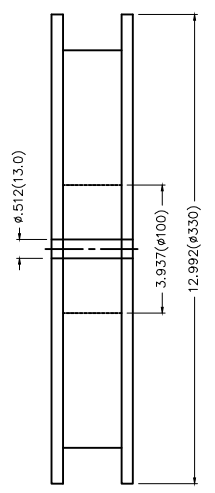
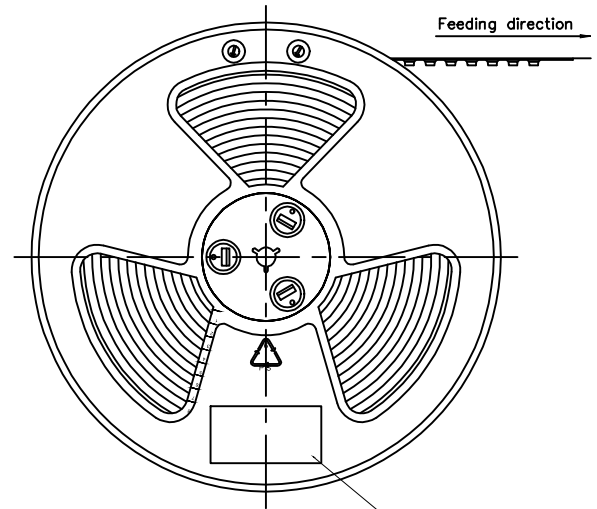


Recommended P.C.Board Layout
Tolerances: ±.002(±0.05)

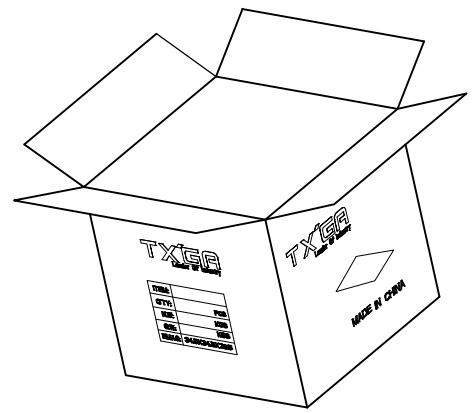
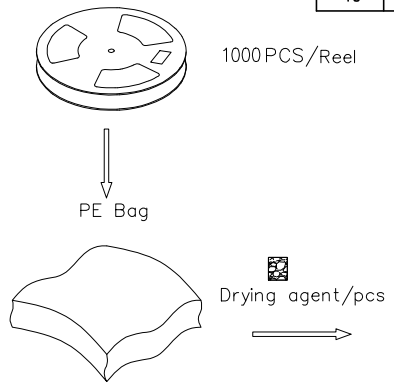
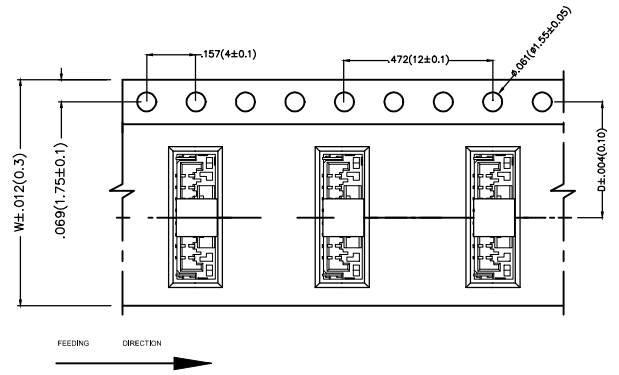
THIRD ANGLE PROJECTION	GENERAL TOLERANCES (UNLESS SPECIFIED)		APPROVE BY FRANK	DATE 8/JUL/13	PART NO. FWF12513-SXXS24W5M	ITEM NO. FWF12513	 Leader Of Industry	
	DESIGN UNITS Inch (metric)	X.±.012(0.30) X.X±.008(0.20) X.XX±.006(0.15) X.XXX±.004(0.10)	X.±5° .X±2° .XX±1° .XXX±0.5°	CHECKED BY CHERRY	DATE 8/JUL/13	TITLE Wire to Board (Wafer) Pitch 1.25mm 180° Vertical (SMT)		REV 1
SCALE 5:1	SIZE A4		DRAWN BY KEVIN	DATE 8/JUL/13	THIS DRAWING CONTAINS INFORMATION THAT IS PROPRIETARY TO TXGA INDUSTRIAL ELECTRONICS(S.2)CO.,LTD AND SHOULD NOT BE USED WITHOUT WRITTEN PERMISSION			

REV	LOCATIONS	DESCRIPTION	DATE	REVISER	APPD

- Note:
- 10 sprocket hole cumulative tolerance ± 0.2
 - Carrier camber is within 1.0mm in 100mm
 - Material: White Conductive polystyrene Alloy 100% recyclable
 - All dimensions meet EIA-481-3 requirements
 - Component load per 13" reel: 1000pcs



Circuits (n)	Dimensions(in/mm)		Circuits (n)	Dimensions(in/mm)	
	D	W		D	W
2	.295(7.50)	.630(16.00)	9	.559(14.20)	1.260(32.00)
3	.295(7.50)	.630(16.00)	10	.559(14.20)	1.260(32.00)
4	.453(11.50)	.945(24.00)	11	.559(14.20)	1.260(32.00)
5	.453(11.50)	.945(24.00)	12	.559(14.20)	1.260(32.00)
6	.453(11.50)	.945(24.00)			
7	.559(14.20)	1.260(32.00)			
8	.559(14.20)	1.260(32.00)			
9	.559(14.20)	1.260(32.00)			
10	.559(14.20)	1.260(32.00)			



 THIRD ANGLE PROJECTION	GENERAL TOLERANCES (UNLESS SPECIFIED)		APPROVE BY FRANK	DATE 8/JUL/13	PART NO. FWF12513-SXXS24W5M	ITEM NO. FWF12513	 TXGA Leader Of Industry	
	DESIGN UNITS Inch (metric)	X.±.012(0.30)	X.±5'	CHECKED BY CHERRY	DATE 8/JUL/13	TITLE Wire to Board (Wafer) Pitch 1.25mm 180° Vertical (SMT)		REV 1
	SCALE 5:1	X.XX±.008(0.20)	.X'±2'	DRAWN BY KEVIN	DATE 8/JUL/13	THIS DRAWING CONTAINS INFORMATION THAT IS PROPRIETARY TO TXGA INDUSTRIAL ELECTRONICS(S.Z)CO.,LTD AND SHOULD NOT BE USED WITHOUT WRITTEN PERMISSION		
	SIZE A4	X.XX±.006(0.15)	.XX'±1'					

X-ON Electronics

Largest Supplier of Electrical and Electronic Components

Click to view similar products for [Headers & Wire Housings](#) category:

Click to view products by [TXGA](#) manufacturer:

Other Similar products are found below :

[57102-F02-18ULF](#) [58102-G61-06LF](#) [0009485154](#) [009176003701906](#) [0050291907](#) [02.125.8002.8](#) [609-3404](#) [61062-3](#) [622-0430](#) [622-3653LF](#)
[63453-116](#) [636-1030](#) [636-1427](#) [636-3427](#) [636-4007](#) [641938-9](#) [644827-2](#) [65495-038](#) [65692-001LF](#) [65781-018](#) [65781-047](#) [65817-010LF](#)
[65817-015LF](#) [66207-023LF](#) [67016-026LF](#) [67095-007LF](#) [68631-112](#) [68645-018](#) [68648-049](#) [699319-000](#) [70.362.1628.0](#) [70-4210](#) [70-4226B](#)
[70-4853B](#) [707-5020](#) [707-5028](#) [71.350.2428.0](#) [71961-016LF](#) [733-134](#) [754199-000](#) [760-3052](#) [787-8014-00](#) [FCN-367T-T012/H](#) [80.063.4001.1](#)
[800-90-001-10-001000](#) [800-90-010-10-002000](#) [801-43-002-10-013000](#) [801-43-006-10-002000](#) [803-41-018-10-001000](#) [803-43-014-20-](#)
[001000](#)