

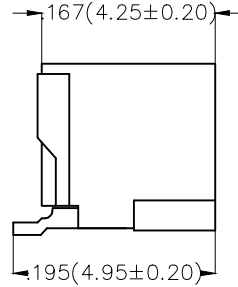
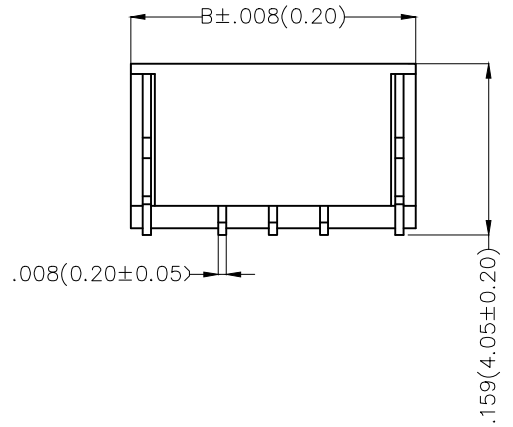
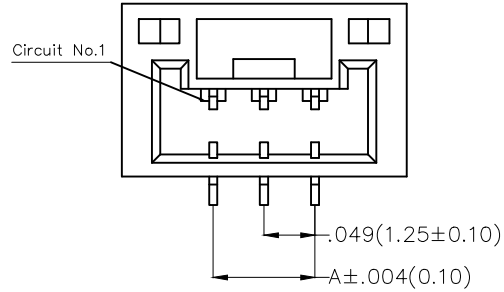
REV	LOCATIONS	DESCRIPTION	DATE	REVISER	APPD
1	△	Material-Resin change	26/APR/20	KATE	CHERRY

Electrical

Current Rating: 1.0A AC(rms)/DC
Voltage Rating: 125V AC(rms)/DC
Contact Resistance: 20 mΩ Max
Insulation Resistance: 100 MΩ MIN
Withstanding Voltage: 250V AC r.m.s
Temperature Range-Operating: -25°C~+85°C

Material and Plating

△ Housing: PA6T(UL 94V-0)
Contact Pin: Brass/ Tin plated
Solder Tab: Copper alloy/ Tin plated

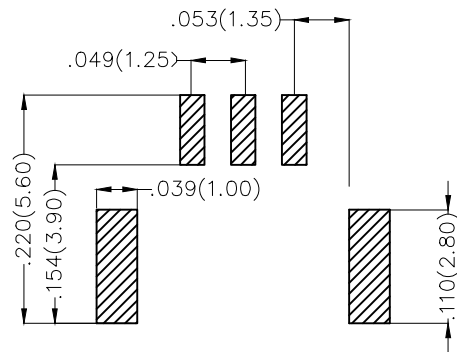


Circuits (n)	Part No.	Dimensions(in./mm)	
		A	B
2	FWF12513-S02S24W5M	.049(1.25)	.219(5.57)
3	FWF12513-S03S24W5M	.098(2.50)	.276(7.00)
4	FWF12513-S04S24W5M	.147(3.75)	.325(8.25)
5	FWF12513-S05S24W5M	.197(5.00)	.374(9.50)
6	FWF12513-S06S24W5M	.246(6.25)	.423(10.75)
7	FWF12513-S07S24W5M	.295(7.50)	.472(12.00)
8	FWF12513-S08S24W5M	.344(8.75)	.522(13.25)
9	FWF12513-S09S24W5M	.394(10.00)	.571(14.50)
10	FWF12513-S10S24W5M	.443(11.25)	.620(15.75)
11	FWF12513-S11S24W5M	.492(12.50)	.669(17.00)
12	FWF12513-S12S24W5M	.541(13.75)	.719(18.25)

Ordering Information

FWF 125 13 - S XX S 2 4 W5 M
1 2 3 4 5 6 7 8 9 10

1 Category FWF-Wafer	2 Series Number 125-Pitch1.25mm	3 Distinction No. 13	4 Row Option S-Single Row	5 Circuits XX	6 Entry Angle S-180° Vertical
7 Plating 2-Tin Plated	8 Material-Resin 4-PA6T △	9 Color-Resin W5-Natural	10 Packaging M-Reel		

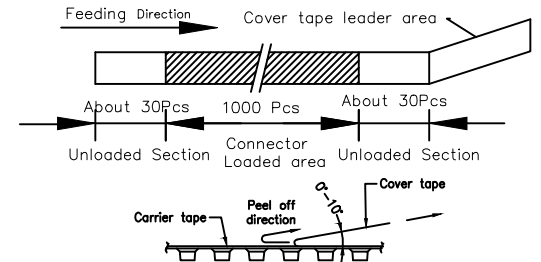
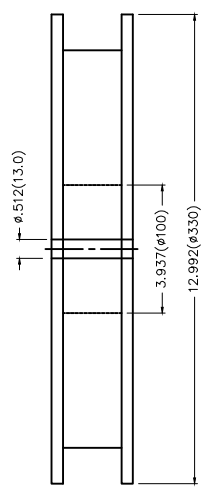
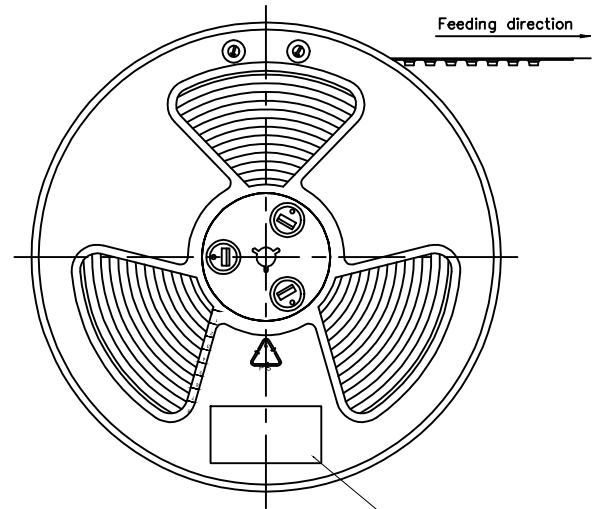


Recommended P.C.Board Layout
Tolerances: ±.002(±0.05)

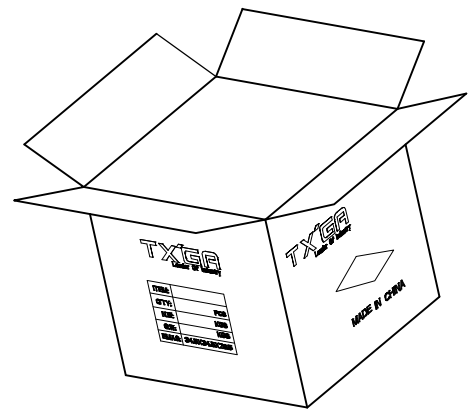
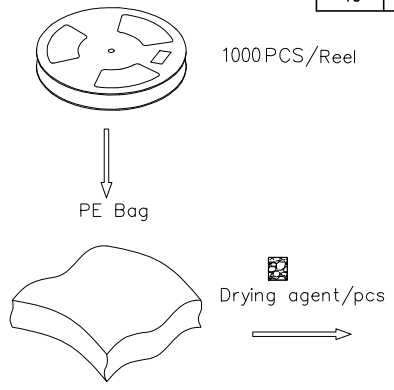
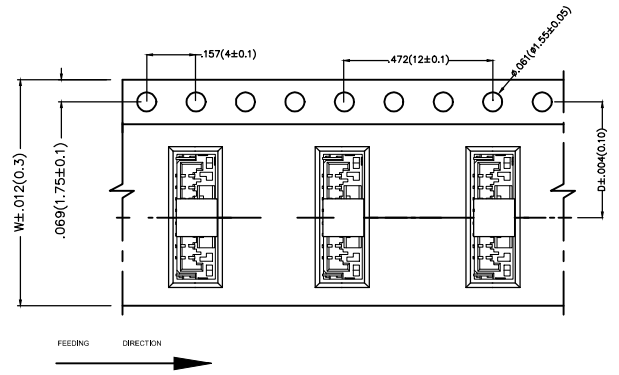
THIRD ANGLE PROJECTION	GENERAL TOLERANCES (UNLESS SPECIFIED)		APPROVE BY	DATE	PART NO.	ITEM NO.	TXGA Leader Of Industry
	DESIGN UNITS Inch (metric)	X.±.012(0.30)	X.±5°	FRANK	8/JUL/13	FWF12513-SXXS24W5M	
SCALE 5:1	X.X±.008(0.20)	.X±2°	CHECKED BY	DATE	TITLE	REV 1	SHEET NO. 1/2
SIZE A4	X.XX±.006(0.15)	.XX±1°	KEVIN	8/JUL/13	Wire to Board (Wafer) Pitch 1.25mm 180° Vertical (SMT)	THIS DRAWING CONTAINS INFORMATION THAT IS PROPRIETARY TO TXGA INDUSTRIAL ELECTRONICS(S.Z)CO.,LTD AND SHOULD NOT BE USED WITHOUT WRITTEN PERMISSION	
	X.XXX±.004(0.10)	.XXX±0.5°					

REV	LOCATIONS	DESCRIPTION	DATE	REVISER	APPD

- Note:
- 10 sprocket hole cumulative tolerance ± 0.2
 - Carrier camber is within 1.0mm in 100mm
 - Material: White Conductive polystyrene Alloy 100% recyclable
 - All dimensions meet EIA-481-3 requirements
 - Component load per 13" reel: 1000pcs



Circuits (n)	Dimensions(in/mm)		Circuits (n)	Dimensions(in/mm)	
	D	W		D	W
2	.295(7.50)	.630(16.00)	9	.559(14.20)	1.260(32.00)
3	.295(7.50)	.630(16.00)	10	.559(14.20)	1.260(32.00)
4	.453(11.50)	.945(24.00)	11	.559(14.20)	1.260(32.00)
5	.453(11.50)	.945(24.00)	12	.559(14.20)	1.260(32.00)
6	.453(11.50)	.945(24.00)			
7	.559(14.20)	1.260(32.00)			
8	.559(14.20)	1.260(32.00)			
9	.559(14.20)	1.260(32.00)			
10	.559(14.20)	1.260(32.00)			



 THIRD ANGLE PROJECTION	GENERAL TOLERANCES (UNLESS SPECIFIED)		APPROVE BY	DATE	PART NO.	ITEM NO.	 Leader Of Industry	
			FRANK	8/JUL/13	FWF12513-SXXS24W5M	FWF12513		
	DESIGN UNITS	X. \pm 0.12(0.30)	X. \pm 5'	CHECKED BY	DATE	TITLE		
	Inch (metric)	X.X \pm 0.008(0.20)	.X \pm 2'	CHERRY	8/JUL/13	Wire to Board (Wafer) Pitch 1.25mm 180° Vertical (SMT)		
SCALE	X.XX \pm 0.006(0.15)	.XX \pm 1'	DRAWN BY	DATE	THIS DRAWING CONTAINS INFORMATION THAT IS PROPRIETARY TO TXGA INDUSTRIAL ELECTRONICS(S.Z)CO.,LTD AND SHOULD NOT BE USED WITHOUT WRITTEN PERMISSION		REV 1	
5:1	X.XXX \pm 0.004(0.10)	.XXX \pm 0.5'	KEVIN	8/JUL/13			SHEET NO. 2/2	

X-ON Electronics

Largest Supplier of Electrical and Electronic Components

Click to view similar products for [Headers & Wire Housings](#) category:

Click to view products by [TXGA](#) manufacturer:

Other Similar products are found below :

[57102-F02-18ULF](#) [58102-G61-06LF](#) [582553-1](#) [009176003701906](#) [01.001.5753.1](#) [0050291907](#) [02.125.8002.8](#) [609-3404](#) [61062-3](#)
[CSU011177004](#) [622-0430](#) [622-3653LF](#) [63453-116](#) [636-1030](#) [636-1427](#) [636-3427](#) [636-4007](#) [641938-9](#) [644827-2](#) [65495-038](#) [65692-001LF](#)
[65781-018](#) [65781-047](#) [65817-010LF](#) [65817-015LF](#) [66207-023LF](#) [67095-007LF](#) [67601157](#) [68631-112](#) [68645-018](#) [699319-000](#)
[M90C108951C](#) [70.362.1628.0](#) [70-4210](#) [70-4226B](#) [70-4853B](#) [707-5028](#) [71.350.2428.0](#) [71961-016LF](#) [733-134](#) [733-162](#) [754199-000](#) [760-](#)
[3052](#) [80.063.4001.1](#) [800-90-001-10-001000](#) [800-90-010-10-002000](#) [801-43-002-10-013000](#) [801-43-006-10-002000](#) [803-41-018-10-001000](#)
[803-43-024-10-001000](#)