

REV	LOCATIONS	DESCRIPTION	DATE	REVISER	APPD

**Electrical**  
 Current Rating: 1.0A AC(rms)/DC  
 Voltage Rating: 125V AC(rms)/DC  
 Contact Resistance: 20 mΩ Max  
 Insulation Resistance: 100 MΩ MIN  
 Withstanding Voltage: 250V AC r.m.s  
 Temperature Range—Operating: -25°C~+85°C  
 Material and Plating  
 Housing: PA9T (UL 94V-0)  
 Contact Pin: Brass/ Tin plated  
 Solder Tab: Copper alloy/ Tin plated

Circuits (n)	Part No.		Dimensions(in/mm)	
	A	B	A	B
2	FWF12513-S0S224W5M	.049(1.25)	.219(5.57)	
3	FWF12513-S0S324W5M	.098(2.50)	.276(7.00)	
4	FWF12513-S04S24W5M	.147(3.75)	.326(8.25)	
5	FWF12513-S0S524W5M	.197(5.00)	.374(9.50)	
6	FWF12513-S0S524W5M	.246(6.25)	.423(10.75)	
7	FWF12513-S07S24W5M	.295(7.50)	.472(12.00)	
8	FWF12513-S08S24W5M	.344(8.75)	.522(13.25)	
9	FWF12513-S09S24W5M	.394(10.00)	.571(14.50)	
10	FWF12513-S10S24W5M	.443(11.25)	.620(15.75)	
11	FWF12513-S11S24W5M	.492(12.50)	.669(17.00)	
12	FWF12513-S12S24W5M	.541(13.75)	.719(18.25)	

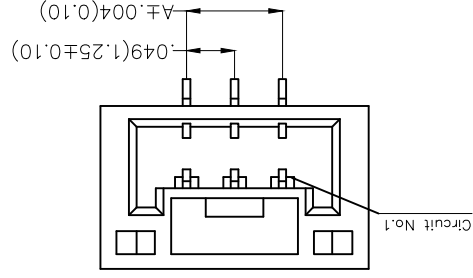
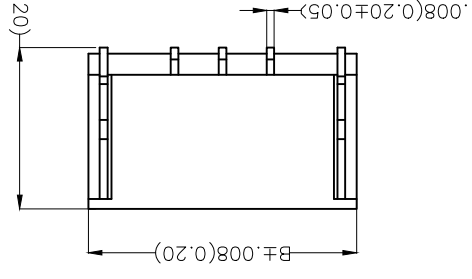
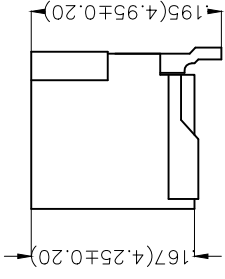
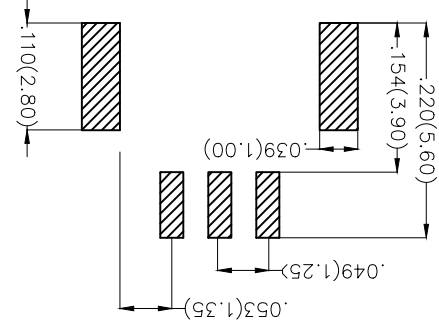
**Ordering Information**  
 FWF 125 13 - S XX S 2 4 W5 M  
 1 Series Number 2 Series Number 3 Distinction No. 4 Row Option 5 Circuits 6 Entry Angle  
 7 Plating 8 Material-Resin 9 Color-Resin 10 Packaging

- 1 Category FWF-Wafer
- 2 Series Number 125-Pitch1.25mm
- 3 Distinction No. 13
- 4 Row Option S-Single Row
- 5 Circuits XX
- 6 Entry Angle S-180° Vertical
- 7 Plating 2-Tin Plated
- 8 Material-Resin 4-PA9T
- 9 Color-Resin WS-Natural
- 10 Packaging M-Reel

THIRD ANGLE	DESIGN UNITS Inch (metric)	SCALE 5:1 A4	GENERAL TOLERANCES (UNLESS SPECIFIED)	APPROVE BY FRANK	DATE 8/JUL/13	PART NO. FWF12513-SXXS24W5M	ITEM NO. FWF12513
PROJECTION	X±.012(0.30)	X.X±.008(0.20)	X.X±.006(0.15)	CHECKED BY CHERRY	DATE 8/JUL/13	TITLE Wire to Board (Wafer)	REV 0
SIZE	X.XXX±.004(0.10)	.XX±.1	.XXX±.05	DRAWN BY KEVIN	DATE 8/JUL/13	THIS DRAWING CONTAINS INFORMATION THAT IS PROPRIETARY TO TXGA INDUSTRIAL ELECTRONICS(SZ)CO.,LTD AND SHOULD NOT BE USED WITHOUT WRITTEN PERMISSION	

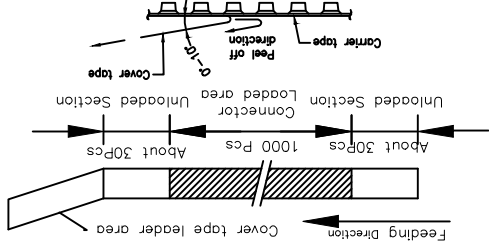


Recommended P.C.Board Layout  
 Tolerances: ±.002(±0.05)

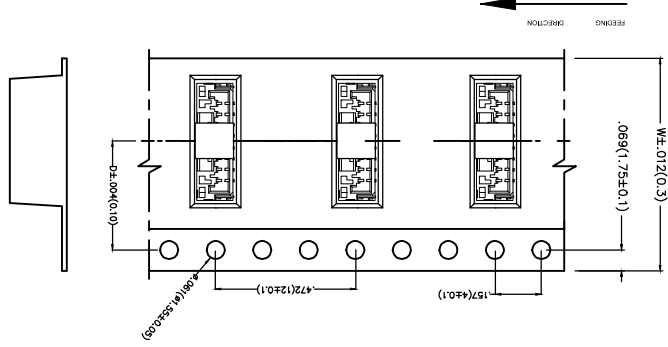
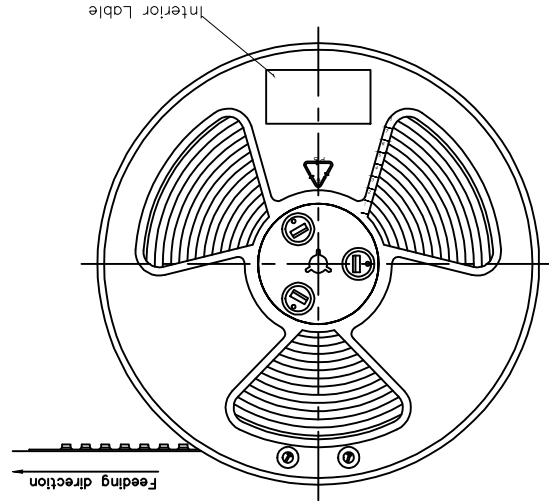
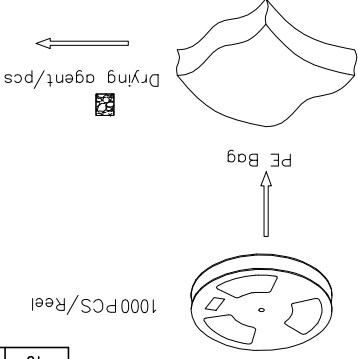
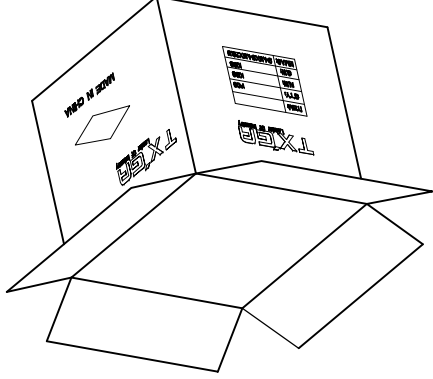


REV	LOCATIONS	DESCRIPTION	DATE	REVISER	APPD

- Note:
1. 10 sprocket hole cumulative tolerance±0.2
  2. Carrier camber is within 1.0mm in 100mm
  3. Material: White Conductive polystyrene Alloy 100% recyclable
  4. All dimensions meet EIA-481-3 requirements
  5. Component load per 13" reel: 1000pcs



Circuits	Dimensions(in/mm)		Circuits	Dimensions(in/mm)	
	D	W		D	W
2	.295(7.50)	.630(16.00)	9	.559(14.20)	1.260(32.00)
3	.295(7.50)	.630(16.00)	10	.559(14.20)	1.260(32.00)
4	.453(11.50)	.945(24.00)	11	.559(14.20)	1.260(32.00)
5	.453(11.50)	.945(24.00)	12	.559(14.20)	1.260(32.00)
6	.453(11.50)	.945(24.00)			
7	.559(14.20)	1.260(32.00)			
8	.559(14.20)	1.260(32.00)			
9	.559(14.20)	1.260(32.00)			
10	.559(14.20)	1.260(32.00)			



THIRD ANGLE	PROJECTION	X.±.012(0.30)
DESIGN UNITS	Inch (metric)	X.±.008(0.20)
SCALE	SIZE	X.XX±.006(0.15)
5:1	A4	X.XXX±.004(0.10)

GENERAL TOLERANCES	APPROVE BY	DATE	PART NO.	ITEM NO.
(UNLESS SPECIFIED)	FRANK	8/JUL/13	FWF12513-SXXS24W5M	FWF12513
CHECKED BY	DATE	TITLE	Wire to Board (Vertical SMT)	
X.±.5	8/JUL/13	Cherry	Pitch 1.25mm 180° Vertical (SMT)	
DRAWN BY	DATE	THIS DRAWING CONTAINS INFORMATION THAT IS PROPRIETARY TO TXGA INDUSTRIAL ELECTRONICS(SZ)CO.,LTD AND SHOULD NOT BE USED WITHOUT WRITTEN PERMISSION		
KEVIN	8/JUL/13			

**TXGA**  
Leader Of Industry

## X-ON Electronics

Largest Supplier of Electrical and Electronic Components

*Click to view similar products for [Headers & Wire Housings](#) category:*

*Click to view products by [TXGA](#) manufacturer:*

Other Similar products are found below :

[95000-104TRLF](#) [10135584-644402LF](#) [DF62W-EP2022PCA](#) [95000-106TRLF](#) [DF62W-2022SCA](#) [DF62W-EP2022PC](#) [2203348](#) [DF62W-2022SC](#) [1084018](#) [1029039](#) [1084017](#) [802-10-012-10-002000](#) [1112640](#) [1112639](#) [891-007-9SS-BST1T](#) [000-34000](#) [0008550134](#) [0009482033](#) [0009507031](#) [57102-F02-18ULF](#) [57102-S06-03LF](#) [57202-S52-04LF](#) [PCN6-15S-2.5E](#) [0039019024](#) [58102-G61-06LF](#) [582553-1](#) [0009485154](#) [0009508121](#) [0022285053](#) [0050291907](#) [018731A](#) [LY20-4P-DT1-P1E-BR](#) [02.125.8002.8](#) [60101931](#) [60598-1 \(Cut Strip\)](#) [M1625-3R/100](#) [61062-3](#) [61082-181009](#) [CSU011177004](#) [636-1427](#) [638009-1](#) [641938-9](#) [641991-4](#) [644168-1](#) [644827-2](#) [647662-1](#) [65039-019ELF](#) [65692-001LF](#) [65781-018](#) [65781-047](#)