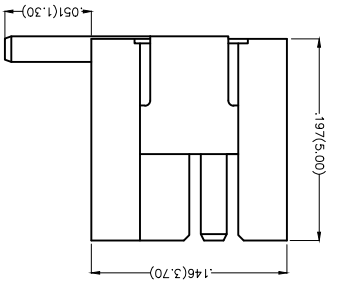
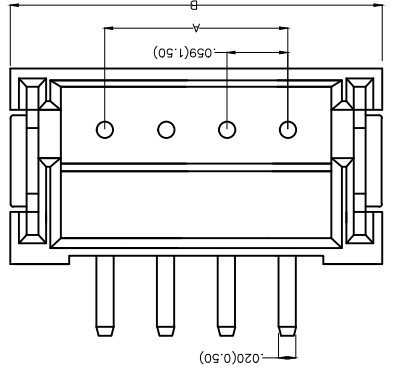
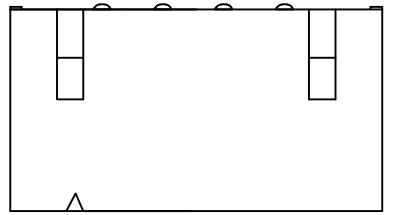
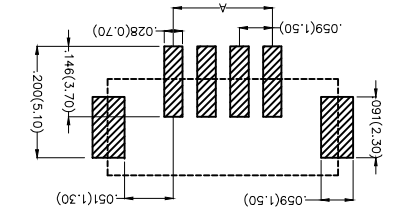


Recommended P.C.Board Layout



THIRD ANGLE PROJECTION	X.±.012(0.30)	X.±.75	8/JUL/13	DATE	FWF15005-SXXS24W5M	ITEM NO.
GENERAL TOLERANCES (UNLESS SPECIFIED)	APPROVE BY	FRANK	8/JUL/13	DATE	FWF15005	
DESIGN UNITS Inch (metric)	X.±.008(0.20)	X.±.2	8/JUL/13	DATE	Wire to Board (Water)	
SCALE 5:1	X.±.006(0.15)	X.±.1	8/JUL/13	DATE	Pitch 1.5mm 180° Vertical (SMT)	REV 0
A4	X.XXX±.004(0.10)	.XXX±.0.5	8/JUL/13	DATE	THIS DRAWING CONTAINS INFORMATION THAT IS PROPRIETARY TO TXGA INDUSTRIAL ELECTRONICS(S)Z(CO.,LTD AND SHOULD NOT BE USED WITHOUT WRITTEN PERMISSION	

1	Category	FWF-Water
2	Series Number	150-Pitch1.5mm
3	Distinction No.	05
4	Row Option	Single Row
5	Circuits	XX
6	Entry Angle	S-180° Vertical
7	Plating	2-Tin Plated
8	Material-Resin	4-PA9T
9	Color-Resin	WS-White
10	Packaging	M-Reel

Ordering Information  
 FWF 150 05 - S XX S 4 W5 M

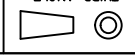
Electrical  
 Current Rating: 1.0A AC(rms)/DC  
 Voltage Rating: 50V AC(rms)/DC  
 Contact Resistance: 20 mΩ Max  
 Insulation Resistance: 500 MΩ MIN  
 Withstanding Voltage: 500V AC r.m.s  
 Temperature Range-Operating: -25°C~+85°C  
 Material and Plating  
 Housing: PA9T (UL 94V-0)  
 Contact Pin: Brass  
 Plating: Tin Plated

REV	LOCATIONS	DESCRIPTION	DATE	REVISER	APPD



REV	LOCATIONS	DESCRIPTION	DATE	REVISER	APPD

Material and Plating : Housing PA9T UL94V-0,Tin Plated.		Circuits (n)	Part No.	Dimensions(in/mm)	
A	B				
2	FWF15005-S02S24W5M	.059(1.50)	.236(6.00)		
3	FWF15005-S03S24W5M	.118(3.00)	.295(7.50)		
4	FWF15005-S04S24W5M	.177(4.50)	.354(9.00)		
5	FWF15005-S05S24W5M	.236(6.00)	.413(10.50)		
6	FWF15005-S06S24W5M	.295(7.50)	.472(12.00)		
7	FWF15005-S07S24W5M	.354(9.00)	.531(13.50)		
8	FWF15005-S08S24W5M	.413(10.50)	.591(15.00)		
9	FWF15005-S09S24W5M	.472(12.00)	.650(16.50)		
10	FWF15005-S10S24W5M	.531(13.50)	.709(18.00)		
11	FWF15005-S11S24W5M	.591(15.00)	.768(19.50)		
12	FWF15005-S12S24W5M	.650(16.50)	.827(21.00)		



THIRD ANGLE PROJECTION

DESIGN UNITS  
Inch (metric)

SCALE  
5:1  
A4

GENERAL TOLERANCES  
(UNLESS SPECIFIED)  
APPROVE BY  
FRANK  
DATE  
8/JUL/13  
PART NO.  
FWF15005-SXXXS24W5M  
ITEM NO.  
FWF15005

CHECKED BY  
JACOB  
DATE  
8/JUL/13  
TITLE  
Wire to Board (Water)  
Pitch 1.5mm 180° Vertical (SMT)

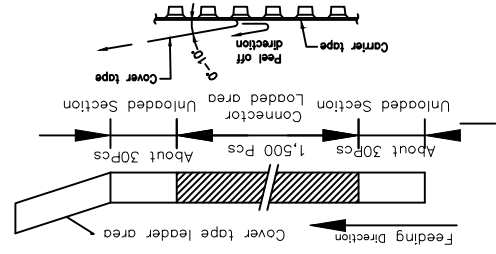
DRAWN BY  
CHERRY  
DATE  
8/JUL/13  
REV 0  
SHEET NO. 1/2

THIS DRAWING CONTAINS INFORMATION THAT IS PROPRIETARY TO TXGA INDUSTRIAL ELECTRONICS(SZ)CO.,LTD AND SHOULD NOT BE USED WITHOUT WRITTEN PERMISSION

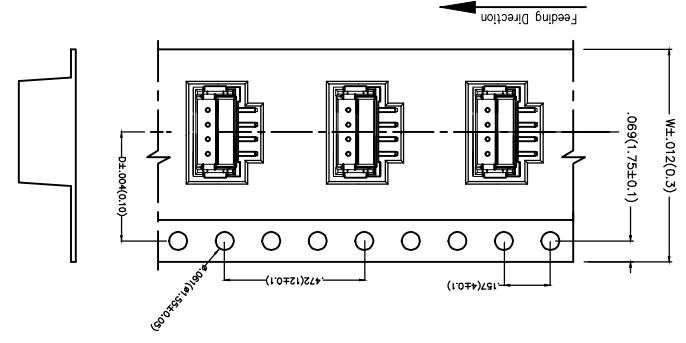
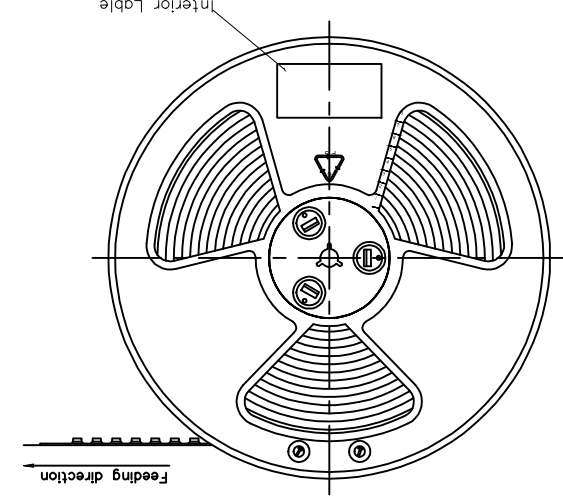
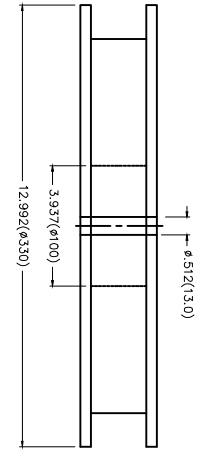
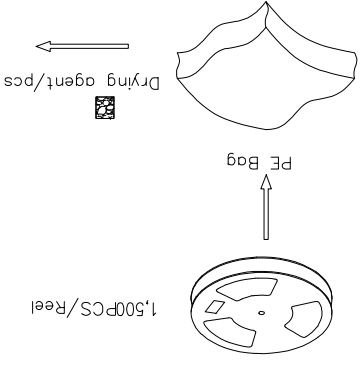
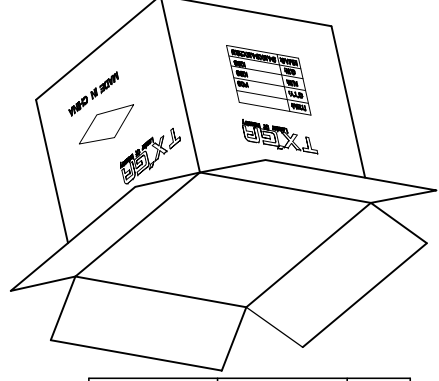


REV	LOCATIONS	DESCRIPTION	DATE	REVISER	APPD

Note:  
1. 10 sprocket hole cumulative tolerance±.2  
2. Carrier camber is within 1.0mm in 100mm  
3. Material: White Conductive polystyrene Alloy 100% recyclable  
4. All dimensions meet EIA-481-3 requirements  
5. Component load per 13" reel: 1,500pcs



Plus	Dimensions(in/mm)	
D	.295(7.50)	.630(16.00)
2	.453(11.50)	.945(24.00)
3	.453(11.50)	.945(24.00)
4	.453(11.50)	.945(24.00)
5	.453(11.50)	.945(24.00)
6	.453(11.50)	.945(24.00)
7	.559(14.20)	1.260(32.00)
8	.559(14.20)	1.260(32.00)
9	.559(14.20)	1.260(32.00)
10	.559(14.20)	1.260(32.00)
11	.559(14.20)	1.260(32.00)
12	.559(14.20)	1.260(32.00)



GENERAL TOLERANCES (UNLESS SPECIFIED)	APPROVE BY	DATE	PART NO.	ITEM NO.
X.±.012(0.30)	FRANK	8/JUL/13	FWF15005-SXXS24W5M	FWF15005
X.±.008(0.20)	CHECKED BY	DATE	TITLE	
X.±.1	JACOB	8/JUL/13	Wire to Board (Water Pitch 1.5mm 180° Vertical SMT)	
X.XXX±.004(0.10)	DRAWN BY	DATE	THIS DRAWING CONTAINS INFORMATION THAT IS PROPRIETARY TO TXGA INDUSTRIAL ELECTRONICS(SZ)CO.,LTD AND SHOULD NOT BE USED WITHOUT WRITTEN PERMISSION	
X.XXX±.05	CHEERRY	8/JUL/13	SCALE	
A4			5:1	



A B C D E F  
1 2 3 4 5 6 7 8

## X-ON Electronics

Largest Supplier of Electrical and Electronic Components

*Click to view similar products for [Headers & Wire Housings](#) category:*

*Click to view products by [TXGA](#) manufacturer:*

Other Similar products are found below :

[95000-104TRLF](#) [10135584-644402LF](#) [DF62W-EP2022PCA](#) [95000-106TRLF](#) [DF62W-2022SCA](#) [DF62W-EP2022PC](#) [2203348](#) [DF62W-2022SC](#) [1084018](#) [1029039](#) [1084017](#) [802-10-012-10-002000](#) [1112640](#) [1112639](#) [891-007-9SS-BST1T](#) [000-34000](#) [0008550134](#) [0009482033](#) [0009507031](#) [57102-F02-18ULF](#) [57102-S06-03LF](#) [57202-S52-04LF](#) [PCN6-15S-2.5E](#) [0039019024](#) [58102-G61-06LF](#) [582553-1](#) [0009485154](#) [0009508121](#) [0022285053](#) [0050291907](#) [018731A](#) [LY20-4P-DT1-P1E-BR](#) [02.125.8002.8](#) [60101931](#) [60598-1 \(Cut Strip\)](#) [M1625-3R/100](#) [61062-3](#) [61082-181009](#) [CSU011177004](#) [636-1427](#) [638009-1](#) [641938-9](#) [641991-4](#) [644168-1](#) [644827-2](#) [647662-1](#) [65039-019ELF](#) [65692-001LF](#) [65781-018](#) [65781-047](#)