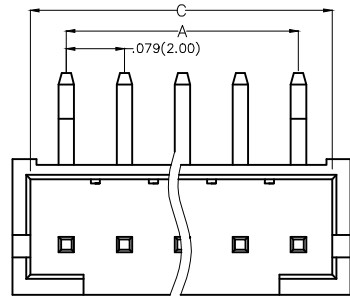


REV	LOCATIONS	DESCRIPTION	DATE	REVISER	APPD

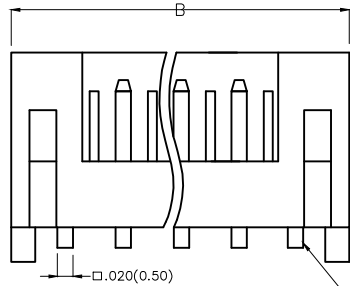


Electrical

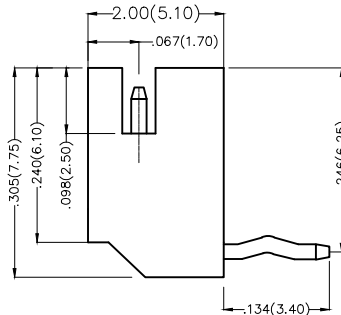
Current Rating: 2.0A AC(rms)/DC
Voltage Rating: 100V AC(rms)/DC
Contact Resistance: 10 mΩ Max
Insulation Resistance: 1000 MΩ MIN
Withstanding Voltage: 800V AC r.m.s
Temperature Range-Operating: -25°C ~+85°C

Material and Plating

Housing: PA66(UL 94V-2)
Contact Pin: Brass
Plating: Tin Plated



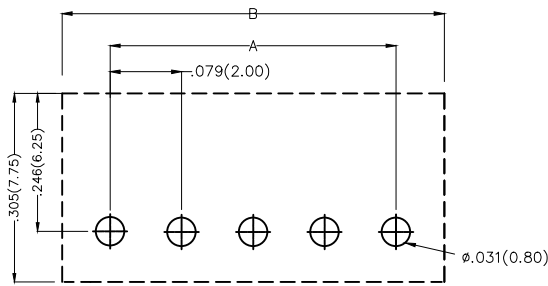
Circuit No.1



Ordering Information

FWF 200 02 - S XX B 2 2 W1 B
1 2 3 4 5 6 7 8 9 10

1	Category FWF-Wafer	2	Series Number 200-Pitch2.0mm	3	Distinction No. 02	4	Row Option S-Single Row	5	Circuits XX	6	Entry Angle B-90° Angle
7	Plating 2-Tin Plated	8	Material-Resin 2-PA66	9	Color-Resin W1-White	10	Packaging B-PE Bag				



Recommended P.C.Board Layout

 THIRD ANGLE PROJECTION	GENERAL TOLERANCES (UNLESS SPECIFIED)		APPROVE BY FRANK	DATE 18/JUN/13	PART NO. FWF20002-SXXB22W1B	ITEM NO. FWF20002	 Leader Of Industry	
	X.±.012(0.30)	.X'±5'	CHECKED BY JACOB	DATE 18/JUN/13	TITLE Wire to Board (Wafer) Pitch 2.0mm 90° Angled (DIP)			REV 0
DESIGN UNITS Inch (metric)	X.XX±.008(0.20)	.X'±2'	DRAWN BY CHERRY	DATE 18/JUN/13	THIS DRAWING CONTAINS INFORMATION THAT IS PROPRIETARY TO TXGA INDUSTRIAL ELECTRONICS(S.Z)CO.,LTD AND SHOULD NOT BE USED WITHOUT WRITTEN PERMISSION			
SCALE 5:1	SIZE A4	X.XXX±.004(0.10)	.XX'±1'					

1 2 3 4 5 6 7 8

REV	LOCATIONS	DESCRIPTION	DATE	REVISER	APPD

A

A

B

B

C

C

D

D



E

E

F

F

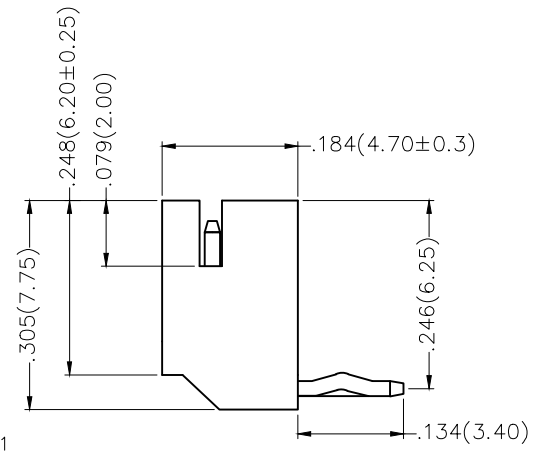
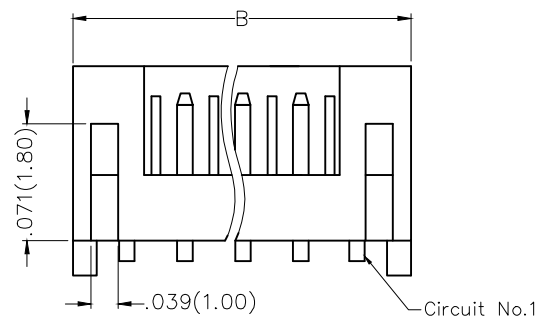
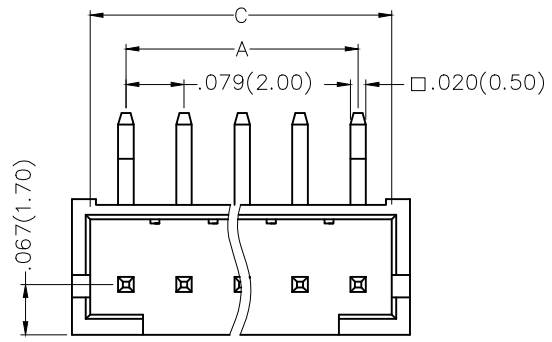
Circuits (n)	Part No.	Dimensions(in/mm)		
		A	B	C
2	FWF20002-S02B22W1B	.079(2.00)	.232(5.90)	.197(5.00)
3	FWF20002-S03B22W1B	.157(4.00)	.311(7.90)	.157(7.00)
4	FWF20002-S04B22W1B	.236(6.00)	.390(9.90)	.354(9.00)
5	FWF20002-S05B22W1B	.315(8.00)	.469(11.90)	.433(11.00)
6	FWF20002-S06B22W1B	.394(10.00)	.547(13.90)	.512(13.00)
7	FWF20002-S07B22W1B	.472(12.00)	.626(15.90)	.591(15.00)
8	FWF20002-S08B22W1B	.551(14.00)	.705(17.90)	.670(17.00)
9	FWF20002-S09B22W1B	.630(16.00)	.783(19.90)	.748(19.00)
10	FWF20002-S10B22W1B	.709(18.00)	.862(21.90)	.827(21.00)
11	FWF20002-S11B22W1B	.787(20.00)	.941(23.90)	.906(23.00)
12	FWF20002-S12B22W1B	.866(22.00)	1.020(25.90)	.984(25.00)

 THIRD ANGLE PROJECTION	GENERAL TOLERANCES (UNLESS SPECIFIED)		APPROVE BY FRANK	DATE 18/JUN/13	PART NO. FWF20002-SXXB22W1B	ITEM NO. FWF20002	 Leader Of Industry	
	DESIGN UNITS Inch (metric)	X.±.012(0.30)	X.±5'	CHECKED BY JACOB	DATE 18/JUN/13	TITLE Wire to Board (Wafer) Pitch 2.0mm 90° Angled (DIP)		REV 0
	SCALE 5:1	SIZE A4	X.XX±.006(0.15)	X.XX±1'	DRAWN BY CHERRY	DATE 18/JUN/13	THIS DRAWING CONTAINS INFORMATION THAT IS PROPRIETARY TO TXGA INDUSTRIAL ELECTRONICS(S.Z)CO.,LTD AND SHOULD NOT BE USED WITHOUT WRITTEN PERMISSION	

1 2 3 4 5 6 7 8

REV	LOCATIONS	DESCRIPTION	DATE	REVISER	APPD

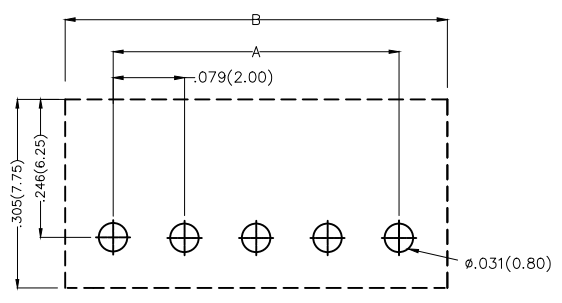
Electrical
 Current Rating: 2.0A AC(rms)/DC
 Voltage Rating: 100V AC(rms)/DC
 Contact Resistance: 10 mΩ Max
 Insulation Resistance: 1000 MΩ MIN
 Withstanding Voltage: 800V AC r.m.s
 Temperature Range-Operating: -25°C ~ +85°C
 Material and Plating
 Housing: PA6T(UL 94V-0)
 Contact Pin: Brass
 Plating: Tin Plated




Ordering Information

FWF 200 02 - S XX B 2 4 W5 B
 1 2 3 4 5 6 7 8 9 10

1 Category FWF-Wafer	2 Series Number 200-Pitch2.0mm	3 Distinction No. 02	4 Row Option S-Single Row	5 Circuits XX	6 Entry Angle B-90° Angle
7 Plating 2-Tin Plated	8 Material-Resin 4-PA6T	9 Color-Resin W5-White	10 Packaging B-PE Bag		



Recommended P.C.Board Layout

THIRD ANGLE PROJECTION	GENERAL TOLERANCES (UNLESS SPECIFIED)		APPROVE BY FRANK	DATE 18/JUN/13	PART NO. FWF20002-SXXB24W5B	ITEM NO. FWF20002	 Leader Of Industry
	DESIGN UNITS Inch (metric)	X.±.012(0.30) X.X±.008(0.20) X.XX±.006(0.15) X.XXX±.004(0.10)	X.±5' .X'±2' .XX'±1' .XXX'±0.5'	CHECKED BY JACOB	DATE 18/JUN/13	TITLE Wire to Board (Wafer) Pitch 2.0mm 90° Angled (DIP)	
SCALE 5:1	SIZE A4	DRAWN BY CHERRY		DATE 18/JUN/13	THIS DRAWING CONTAINS INFORMATION THAT IS PROPRIETARY TO TXGA INDUSTRIAL ELECTRONICS(S.Z)CO.,LTD AND SHOULD NOT BE USED WITHOUT WRITTEN PERMISSION		

REV 0 SHEET NO. 1/2

1 2 3 4 5 6 7 8

REV	LOCATIONS	DESCRIPTION	DATE	REVISER	APPD

A

A

B

B

C

C

D

D



E

E

F

F

Circuits (n)	Part No.	Dimensions(in/mm)		
		A	B	
2	FWF20002-S02B24W5B	.079(2.00)	.232(5.90)	.189(4.80)
3	FWF20002-S03B24W5B	.157(4.00)	.311(7.90)	.268(6.80)
4	FWF20002-S04B24W5B	.236(6.00)	.390(9.90)	.346(8.80)
5	FWF20002-S05B24W5B	.315(8.00)	.469(11.90)	.425(10.80)
6	FWF20002-S06B24W5B	.394(10.00)	.547(13.90)	.504(12.80)
7	FWF20002-S07B24W5B	.472(12.00)	.626(15.90)	.583(14.80)
8	FWF20002-S08B24W5B	.551(14.00)	.705(17.90)	.661(16.80)
9	FWF20002-S09B24W5B	.630(16.00)	.783(19.90)	.740(18.80)
10	FWF20002-S10B24W5B	.709(18.00)	.862(21.90)	.819(20.80)
11	FWF20002-S11B24W5B	.787(20.00)	.941(23.90)	.898(22.80)
12	FWF20002-S12B24W5B	.866(22.00)	1.020(25.90)	.976(24.80)
13	FWF20002-S13B24W5B	.945(24.00)	1.098(27.90)	1.055(26.80)
14	FWF20002-S14B24W5B	1.024(26.00)	1.177(29.90)	1.134(28.80)
15	FWF20002-S15B24W5B	1.102(28.00)	1.256(31.90)	1.213(30.80)
16	FWF20002-S16B24W5B	1.181(30.00)	1.335(33.90)	1.291(32.80)

 THIRD ANGLE PROJECTION	GENERAL TOLERANCES (UNLESS SPECIFIED)		APPROVE BY FRANK	DATE 18/JUN/13	PART NO. FWF20002-SXXB24W5B	ITEM NO. FWF20002	 Leader Of Industry	
	DESIGN UNITS Inch (metric)	X.±.012(0.30)	X'.±5'	CHECKED BY JACOB	DATE 18/JUN/13	TITLE Wire to Board (Wafer) Pitch 2.0mm 90° Angled (DIP)		REV 0
	SCALE 5:1	SIZE A4	X.XX±.006(0.15)	X.XX±1'	DRAWN BY CHERRY	DATE 18/JUN/13	THIS DRAWING CONTAINS INFORMATION THAT IS PROPRIETARY TO TXGA INDUSTRIAL ELECTRONICS(S.Z)CO.,LTD AND SHOULD NOT BE USED WITHOUT WRITTEN PERMISSION	

1 2 3 4 5 6 7 8

X-ON Electronics

Largest Supplier of Electrical and Electronic Components

Click to view similar products for [Headers & Wire Housings](#) category:

Click to view products by [TXGA](#) manufacturer:

Other Similar products are found below :

[0015917161](#) [0022155065](#) [57102-F02-18ULF](#) [58102-G61-06LF](#) [582553-1](#) [01.001.5753.1](#) [0050291907](#) [02.125.8002.8](#) [609-3404](#) [61062-3](#)
[CSU011177004](#) [622-0430](#) [622-3653LF](#) [63453-116](#) [636-1030](#) [636-1427](#) [636-3427](#) [636-4007](#) [641938-9](#) [65495-038](#) [65692-001LF](#) [65781-018](#)
[65781-047](#) [65817-010LF](#) [65817-015LF](#) [67095-007LF](#) [67601157](#) [68631-112](#) [68645-018](#) [699319-000](#) [70.362.1628.0](#) [70-4210](#) [70-4226B](#) [70-](#)
[4853B](#) [71.350.2428.0](#) [733-134](#) [733-162](#) [760-3052](#) [MHR-64-VUAL](#) [80.063.4001.1](#) [800-90-001-10-001000](#) [801-43-002-10-013000](#)
[801-43-006-10-002000](#) [803-43-024-10-001000](#) [803-93-012-10-001000](#) [8-1437020-4](#) [819-22-004-30-001101](#) [820-22-006-30-001101](#)
[820-22-008-30-001101](#) [821-22-002-10-001101](#)