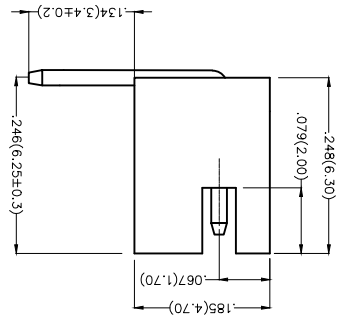
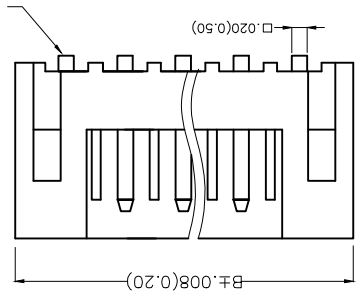
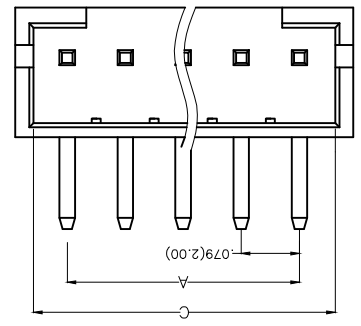
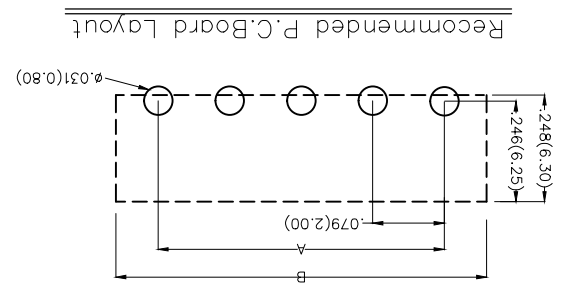


REV	LOCATIONS	DESCRIPTION	DATE	REVISER	APPD

**Electrical**  
 Current Rating: 2.0A AC(rms)/DC  
 Voltage Rating: 100V AC(rms)/DC  
 Contact Resistance: 10 mΩ Max  
 Insulation Resistance: 1000 MΩ MIN  
 Withstanding Voltage: 800V AC r.m.s  
 Temperature Range—Operating: -25°C~+85°C  
 Material and Plating  
 Housing: PA66 (UL 94V-2)/PA6T (UL 94V-0)  
 Contact Pin: Brass  
 Plating: Full gold / Full tin



Circuit No.1



**Ordering Information**

FWF 200 16 — S XX B 7 X 2 W1 B  
 1 2 3 4 5 6 7 8 9 10

- 1 Category FWF—Wafer
- 2 Series Number 200—Pitch 2.0mm
- 3 Distinction No. 16
- 4 Row Option Single Row
- 5 Circuits XX
- 6 Entry Angle B—90° Angle
- 7 Plating 1—Gold Plated 2—Tin Plated
- 8 Material—Resin 2—PA66
- 9 Color—Resin W1—White
- 10 Packaging B—PE Bag


THIRD ANGLE PROJECTION	DESIGN UNITS	X.X±.012(0.30)	X.±.5	FRANK	DATE	FWF20016-SXXBX2W1B	ITEM NO.
	Inch (metric)	X.X±.008(0.20)	X.±.2	JACOB	DATE	FWF20016	
SCALE	SIZE	X.XX±.006(0.15)	X.X±.1	CHERRY	DATE	Wire to Board (Wafer) Pitch 2.0mm 90° Angle (DIP)	REV 0
5:1	A4	X.XX±.004(0.10)	X.XX±.0.5	18/JUN/13	DATE	THIS DRAWING CONTAINS INFORMATION THAT IS PROPRIETARY TO TXGA INDUSTRIAL ELECTRONICS(SZ)CO.,LTD AND SHOULD NOT BE USED WITHOUT WRITTEN PERMISSION	SHEET NO. 1/2




REV	LOCATIONS	DESCRIPTION	DATE	REVISER	APPD

Circuits	Part No.	Dimensions(in/mm)		
		A	B	C
2	FWF20016-S02B22W1B	.079(2.00)	.232(5.90)	.197(5.00)
3	FWF20016-S03B22W1B	.157(4.00)	.311(7.90)	.157(7.00)
4	FWF20016-S04B22W1B	.236(6.00)	.390(9.90)	.354(9.00)
5	FWF20016-S05B22W1B	.315(8.00)	.469(11.90)	.433(11.00)
6	FWF20016-S06B22W1B	.394(10.00)	.547(13.90)	.512(13.00)
7	FWF20016-S07B22W1B	.472(12.00)	.626(15.90)	.591(15.00)
8	FWF20016-S08B22W1B	.551(14.00)	.705(17.90)	.670(17.00)
9	FWF20016-S09B22W1B	.630(16.00)	.783(19.90)	.748(19.00)
10	FWF20016-S10B22W1B	.709(18.00)	.862(21.90)	.827(21.00)
11	FWF20016-S11B22W1B	.787(20.00)	.941(23.90)	.906(23.00)
12	FWF20016-S12B22W1B	.866(22.00)	1.020(25.90)	.984(25.00)
13	FWF20016-S13B22W1B	.945(24.00)	1.098(27.90)	1.063(27.00)
14	FWF20016-S14B22W1B	1.024(26.00)	1.177(29.90)	1.142(29.00)
15	FWF20016-S15B22W1B	1.102(28.00)	1.256(31.90)	1.220(31.00)
16	FWF20016-S16B22W1B	1.181(30.00)	1.335(33.90)	1.299(33.00)

Circuits	Part No.	Dimensions(in/mm)		
		A	B	C
2	FWF20016-S02B12W1B	.079(2.00)	.232(5.90)	.197(5.00)
3	FWF20016-S03B12W1B	.157(4.00)	.311(7.90)	.157(7.00)
4	FWF20016-S04B12W1B	.236(6.00)	.390(9.90)	.354(9.00)
5	FWF20016-S05B12W1B	.315(8.00)	.469(11.90)	.433(11.00)
6	FWF20016-S06B12W1B	.394(10.00)	.547(13.90)	.512(13.00)
7	FWF20016-S07B12W1B	.472(12.00)	.626(15.90)	.591(15.00)
8	FWF20016-S08B12W1B	.551(14.00)	.705(17.90)	.670(17.00)
9	FWF20016-S09B12W1B	.630(16.00)	.783(19.90)	.748(19.00)
10	FWF20016-S10B12W1B	.709(18.00)	.862(21.90)	.827(21.00)
11	FWF20016-S11B12W1B	.787(20.00)	.941(23.90)	.906(23.00)
12	FWF20016-S12B12W1B	.866(22.00)	1.020(25.90)	.984(25.00)
13	FWF20016-S13B12W1B	.945(24.00)	1.098(27.90)	1.063(27.00)
14	FWF20016-S14B12W1B	1.024(26.00)	1.177(29.90)	1.142(29.00)
15	FWF20016-S15B12W1B	1.102(28.00)	1.256(31.90)	1.220(31.00)
16	FWF20016-S16B12W1B	1.181(30.00)	1.335(33.90)	1.299(33.00)

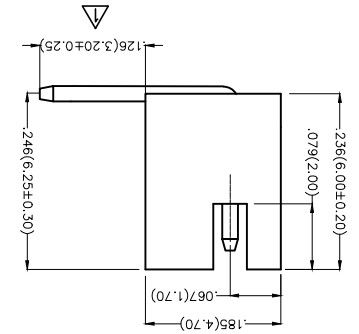
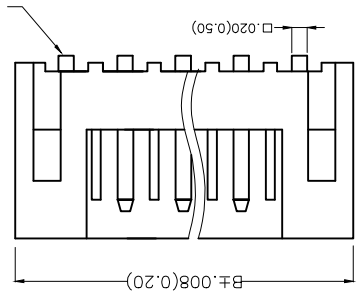
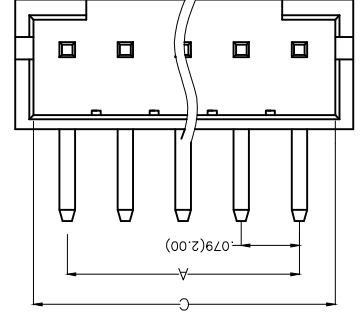
 THIRD ANGLE PROJECTION	DESIGN UNITS	X.XX±.008(0.20)	X.XX±.012(0.30)	X.XX±.006(0.15)	X.XX±.004(0.10)	X.XX±.004(0.10)	SCALE	5:1
	INCH (metric)	X.XX±.008(0.20)	X.XX±.012(0.30)	X.XX±.006(0.15)	X.XX±.004(0.10)	X.XX±.004(0.10)	A4	SIZE
GENERAL TOLERANCES (UNLESS SPECIFIED)	APPROVE BY	FRANK	DATE	18/JUN/13	CHECKED BY	JACOB	DATE	18/JUN/13
	DRAWN BY	CHEERY	DATE	18/JUN/13	TITLE	Wire to Board (Water)		
	PART NO.		FWF20016-SXXBX2W1B		ITEM NO.		FWF20016	
	REV		0		SHEET NO.		2/2	
	REVISION		DATE		DESCRIPTION		APPD	


  
 Leader Of Industry

THIS DRAWING CONTAINS INFORMATION THAT IS PROPRIETARY TO TXGA INDUSTRIAL ELECTRONICS(SZ)CO.,LTD AND SHOULD NOT BE USED WITHOUT WRITTEN PERMISSION

REV	LOCATIONS	DESCRIPTION	DATE	REVISER	APPD
1		Size change	20/SEP/19	KATE	CHERRY

**Electrical**  
 Current Rating: 2.0A AC(rms)/DC  
 Voltage Rating: 100V AC(rms)/DC  
 Contact Resistance: 10 mΩ Max  
 Insulation Resistance: 1000 MΩ MIN  
 Withstanding Voltage: 800V AC r.m.s  
 Temperature Range—Operating: -25°C~+85°C  
 Material and Plating  
 Housing: PA66 (UL 94V-2)/PA6T (UL 94V-0)  
 Contact Pin: Brass  
 Plating: Full gold/ Full tin



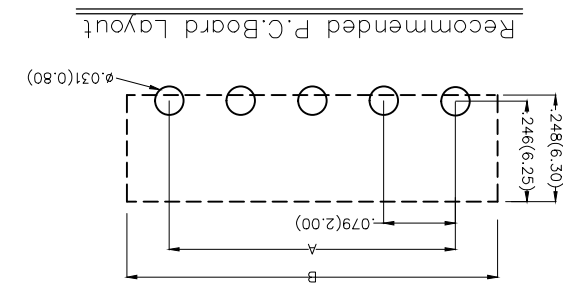
**Ordering Information**

FWF 200 16 — S XX B 4 W5 B  
 1 FWF 200 16 — S XX B 4 W5 B  
 2 Series Number  
 3 Distinction No.  
 4 Row Option  
 5 Circuits  
 6 Entry Angle  
 7 Plating  
 8 Material-Resin  
 9 Color-Resin  
 10 Packaging

1	Category	FWF-Wafer
2	Series Number	200-Pitch2.0mm
3	Distinction No.	16
4	Row Option	Single Row
5	Circuits	XX
6	Entry Angle	B-90° Angle
7	Plating	1-Gold Plated 2-Tin Plated
8	Material-Resin	4-PA6T
9	Color-Resin	W5-White
10	Packaging	B-PE Bag

DATE	APPROVE BY	GENERAL TOLERANCES (UNLESS SPECIFIED)	THIRD ANGLE PROJECTION	DESIGN UNITS	SCALE	SIZE
18/JUN/13	FRANK	X.±.012(0.30)		Inch (metric)	5:1	A4
DATE	CHECKED BY	X.XX±.006(0.15)				
18/JUN/13	JACOB	X.XX±.008(0.20)				
DATE	DATE	X.XX±.004(0.10)				
18/JUN/13	18/JUN/13	X.XX±0.5				

ITEM NO.	PART NO.	TITLE	REV 1	SHEET NO. 1/2
FWF20016	FWF20016-SXXBX4W5B	Wire to Board (Wafer) Pitch 2.0mm 90° Angle (DIP)		
Leader Of Industry				
TXGR				
THIS DRAWING CONTAINS INFORMATION THAT IS PROPRIETARY TO TXGA INDUSTRIAL ELECTRONICS(SZ)CO.,LTD AND SHOULD NOT BE USED WITHOUT WRITTEN PERMISSION				




Recommended P.C.Board Layout

REV	LOCATIONS	DESCRIPTION	DATE	REVISER	APPD

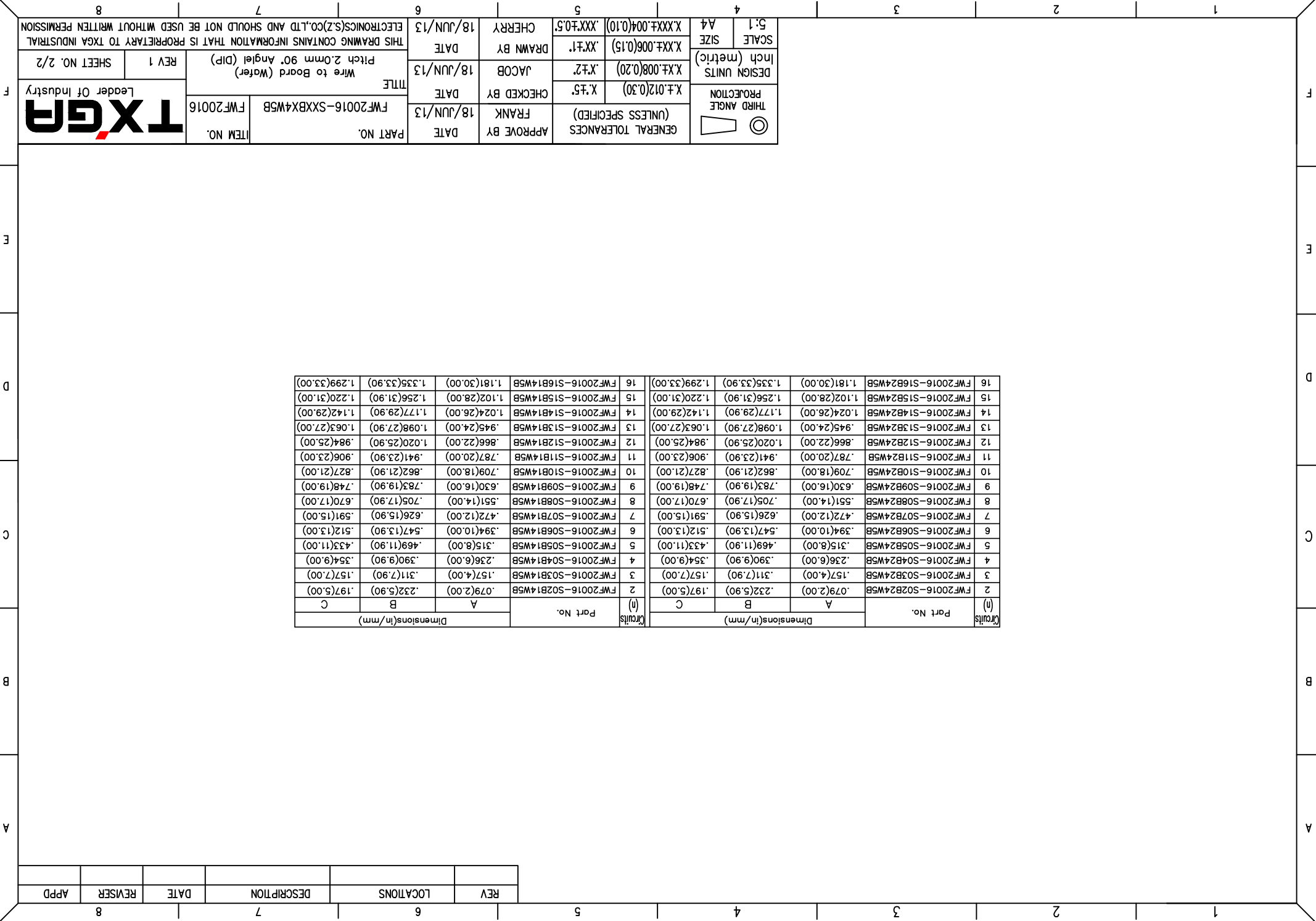
Part No.	Dimensions(in/mm)			Part No.	Dimensions(in/mm)		
	A	B	C		A	B	C
FWF20016-S02B24W5B	.079(2.00)	.232(5.90)	.197(5.00)	FWF20016-S02B14W5B	.079(2.00)	.232(5.90)	.197(5.00)
FWF20016-S03B24W5B	.157(4.00)	.311(7.90)	.157(7.00)	FWF20016-S03B14W5B	.157(4.00)	.311(7.90)	.157(7.00)
FWF20016-S04B24W5B	.236(6.00)	.390(9.90)	.354(9.00)	FWF20016-S04B14W5B	.236(6.00)	.390(9.90)	.354(9.00)
FWF20016-S05B24W5B	.315(8.00)	.469(11.90)	.433(11.00)	FWF20016-S05B14W5B	.315(8.00)	.469(11.90)	.433(11.00)
FWF20016-S06B24W5B	.394(10.00)	.547(13.90)	.512(13.00)	FWF20016-S06B14W5B	.394(10.00)	.547(13.90)	.512(13.00)
FWF20016-S07B24W5B	.472(12.00)	.626(15.90)	.591(15.00)	FWF20016-S07B14W5B	.472(12.00)	.626(15.90)	.591(15.00)
FWF20016-S08B24W5B	.551(14.00)	.705(17.90)	.670(17.00)	FWF20016-S08B14W5B	.551(14.00)	.705(17.90)	.670(17.00)
FWF20016-S09B24W5B	.630(16.00)	.783(19.90)	.748(19.00)	FWF20016-S09B14W5B	.630(16.00)	.783(19.90)	.748(19.00)
FWF20016-S10B24W5B	.709(18.00)	.862(21.90)	.827(21.00)	FWF20016-S10B14W5B	.709(18.00)	.862(21.90)	.827(21.00)
FWF20016-S11B24W5B	.787(20.00)	.941(23.90)	.906(23.00)	FWF20016-S11B14W5B	.787(20.00)	.941(23.90)	.906(23.00)
FWF20016-S12B24W5B	.866(22.00)	1.020(25.90)	.984(25.00)	FWF20016-S12B14W5B	.866(22.00)	1.020(25.90)	.984(25.00)
FWF20016-S13B24W5B	.945(24.00)	1.098(27.90)	1.063(27.00)	FWF20016-S13B14W5B	.945(24.00)	1.098(27.90)	1.063(27.00)
FWF20016-S14B24W5B	1.024(26.00)	1.177(29.90)	1.142(29.00)	FWF20016-S14B14W5B	1.024(26.00)	1.177(29.90)	1.142(29.00)
FWF20016-S15B24W5B	1.102(28.00)	1.256(31.90)	1.220(31.00)	FWF20016-S15B14W5B	1.102(28.00)	1.256(31.90)	1.220(31.00)
FWF20016-S16B24W5B	1.181(30.00)	1.335(33.90)	1.299(33.00)	FWF20016-S16B14W5B	1.181(30.00)	1.335(33.90)	1.299(33.00)

DATE	APPROVE BY	CHECKED BY	DATE	TITLE	ITEM NO.
18/JUN/13	FRANK	18/JUN/13	FWF20016-SXXBX4W5B	Wire to Board (Water)	FWF20016
18/JUN/13	JACOB	18/JUN/13	FWF20016-SXXBX4W5B	Wire to Board (Water)	FWF20016
18/JUN/13	CHERRY	18/JUN/13	FWF20016-SXXBX4W5B	Wire to Board (Water)	FWF20016


**THIRD ANGLE PROJECTION**  
 DESIGN UNITS: X.±.012(0.30)  
 X.XX±.008(0.20)  
 X.XX±.006(0.15)  
 X.XXX±.004(0.10)  
 XXX±0.5  
 SCALE: 5:1  
 SIZE: A4

**GENERAL TOLERANCES (UNLESS SPECIFIED)**  
 APPROVE BY: FRANK  
 CHECKED BY: JACOB  
 DRAWN BY: CHERRY  
 DATE: 18/JUN/13

**TXGR** Leader Of Industry  
 ITEM NO. FWF20016  
 PITCH: 2.0mm 90° Angle (DIP)  
 REV 1  
 SHEET NO. 2/2  
 THIS DRAWING CONTAINS INFORMATION THAT IS PROPRIETARY TO TXGA INDUSTRIAL ELECTRONICS(S)Z)CO.,LTD AND SHOULD NOT BE USED WITHOUT WRITTEN PERMISSION



## X-ON Electronics

Largest Supplier of Electrical and Electronic Components

*Click to view similar products for [Headers & Wire Housings](#) category:*

*Click to view products by [TXGA](#) manufacturer:*

Other Similar products are found below :

[95000-104TRLF](#) [10135584-644402LF](#) [DF62W-EP2022PCA](#) [95000-106TRLF](#) [DF62W-2022SCA](#) [DF62W-EP2022PC](#) [2203348](#) [DF62W-2022SC](#) [1084018](#) [1029039](#) [1084017](#) [802-10-012-10-002000](#) [1112640](#) [1112639](#) [891-007-9SS-BST1T](#) [000-34000](#) [0008550134](#) [0009482033](#) [0009507031](#) [57102-F02-18ULF](#) [57102-S06-03LF](#) [57202-S52-04LF](#) [PCN6-15S-2.5E](#) [0039019024](#) [58102-G61-06LF](#) [582553-1](#) [0009485154](#) [0009508121](#) [0022285053](#) [0050291907](#) [018731A](#) [LY20-4P-DT1-P1E-BR](#) [02.125.8002.8](#) [60101931](#) [60598-1 \(Cut Strip\)](#) [M1625-3R/100](#) [61062-3](#) [61082-181009](#) [CSU011177004](#) [636-1427](#) [638009-1](#) [641938-9](#) [641991-4](#) [644168-1](#) [644827-2](#) [647662-1](#) [65039-019ELF](#) [65692-001LF](#) [65781-018](#) [65781-047](#)