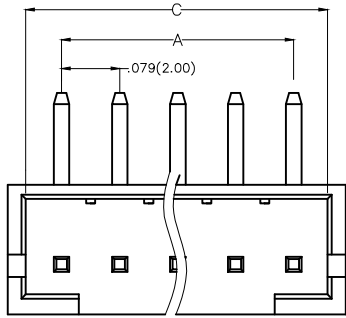


REV	LOCATIONS	DESCRIPTION	DATE	REVISER	APPD

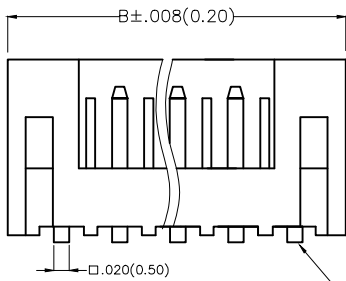


Electrical

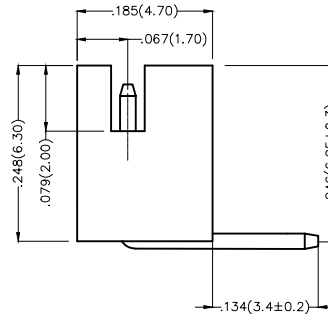
Current Rating: 2.0A AC(rms)/DC
Voltage Rating: 100V AC(rms)/DC
Contact Resistance: 10 mΩ Max
Insulation Resistance: 1000 MΩ MIN
Withstanding Voltage: 800V AC r.m.s
Temperature Range-Operating: -25°C ~ +85°C

Material and Plating

Housing: PA66(UL 94V-2)/PA6T(UL 94V-0)
Contact Pin: Brass
Plating: Full gold/ Full tin



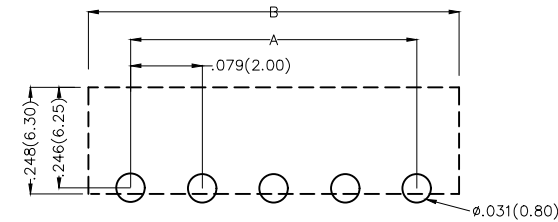
Circuit No.1



Ordering Information

FWF 200 16 — S XX B X 2 W1 B
1 2 3 4 5 6 7 8 9 10

1 <u>Category</u> FWF-Wafer	2 <u>Series Number</u> 200-Pitch2.0mm	3 <u>Distinction No.</u> 16	4 <u>Row Option</u> Single Row	5 <u>Circuits</u> XX	6 <u>Entry Angle</u> B-90° Angle
7 <u>Plating</u> 1-Gold Plated 2-Tin Plated	8 <u>Material-Resin</u> 2-PA66	9 <u>Color-Resin</u> W1-White	10 <u>Packaging</u> B-PE Bag		



Recommended P.C.Board Layout

 THIRD ANGLE PROJECTION	GENERAL TOLERANCES (UNLESS SPECIFIED)		APPROVE BY FRANK	DATE 18/JUN/13	PART NO. FWF20016-SXXBX2W1B	ITEM NO. FWF20016	 Leader Of Industry	
	DESIGN UNITS Inch (metric)	X.±.012(0.30) X.X±.008(0.20) X.XX±.006(0.15) X.XXX±.004(0.10)	X.±5' .X'±2' .XX'±1' .XXX'±0.5'	CHECKED BY JACOB	DATE 18/JUN/13	TITLE Wire to Board (Wafer) Pitch 2.0mm 90° Angled (DIP)		REV 0
SCALE 5:1	SIZE A4	DRAWN BY CHERRY		DATE 18/JUN/13	THIS DRAWING CONTAINS INFORMATION THAT IS PROPRIETARY TO TXGA INDUSTRIAL ELECTRONICS(S.Z)CO.,LTD AND SHOULD NOT BE USED WITHOUT WRITTEN PERMISSION			

1 2 3 4 5 6 7 8

REV	LOCATIONS	DESCRIPTION	DATE	REVISER	APPD

A

A

B

B

C

C

D

D



E

E

F

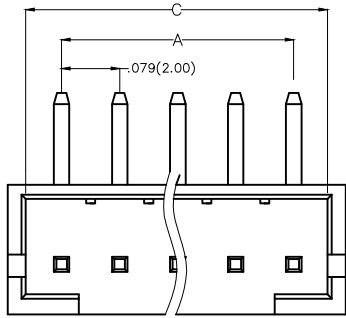
F

Circuits (n)	Part No.	Dimensions(in/mm)			Circuits (n)	Part No.	Dimensions(in/mm)		
		A	B	C			A	B	C
2	FWF20016-S02B22W1B	.079(2.00)	.232(5.90)	.197(5.00)	2	FWF20016-S02B12W1B	.079(2.00)	.232(5.90)	.197(5.00)
3	FWF20016-S03B22W1B	.157(4.00)	.311(7.90)	.157(7.00)	3	FWF20016-S03B12W1B	.157(4.00)	.311(7.90)	.157(7.00)
4	FWF20016-S04B22W1B	.236(6.00)	.390(9.90)	.354(9.00)	4	FWF20016-S04B12W1B	.236(6.00)	.390(9.90)	.354(9.00)
5	FWF20016-S05B22W1B	.315(8.00)	.469(11.90)	.433(11.00)	5	FWF20016-S05B12W1B	.315(8.00)	.469(11.90)	.433(11.00)
6	FWF20016-S06B22W1B	.394(10.00)	.547(13.90)	.512(13.00)	6	FWF20016-S06B12W1B	.394(10.00)	.547(13.90)	.512(13.00)
7	FWF20016-S07B22W1B	.472(12.00)	.626(15.90)	.591(15.00)	7	FWF20016-S07B12W1B	.472(12.00)	.626(15.90)	.591(15.00)
8	FWF20016-S08B22W1B	.551(14.00)	.705(17.90)	.670(17.00)	8	FWF20016-S08B12W1B	.551(14.00)	.705(17.90)	.670(17.00)
9	FWF20016-S09B22W1B	.630(16.00)	.783(19.90)	.748(19.00)	9	FWF20016-S09B12W1B	.630(16.00)	.783(19.90)	.748(19.00)
10	FWF20016-S10B22W1B	.709(18.00)	.862(21.90)	.827(21.00)	10	FWF20016-S10B12W1B	.709(18.00)	.862(21.90)	.827(21.00)
11	FWF20016-S11B22W1B	.787(20.00)	.941(23.90)	.906(23.00)	11	FWF20016-S11B12W1B	.787(20.00)	.941(23.90)	.906(23.00)
12	FWF20016-S12B22W1B	.866(22.00)	1.020(25.90)	.984(25.00)	12	FWF20016-S12B12W1B	.866(22.00)	1.020(25.90)	.984(25.00)
13	FWF20016-S13B22W1B	.945(24.00)	1.098(27.90)	1.063(27.00)	13	FWF20016-S13B12W1B	.945(24.00)	1.098(27.90)	1.063(27.00)
14	FWF20016-S14B22W1B	1.024(26.00)	1.177(29.90)	1.142(29.00)	14	FWF20016-S14B12W1B	1.024(26.00)	1.177(29.90)	1.142(29.00)
15	FWF20016-S15B22W1B	1.102(28.00)	1.256(31.90)	1.220(31.00)	15	FWF20016-S15B12W1B	1.102(28.00)	1.256(31.90)	1.220(31.00)
16	FWF20016-S16B22W1B	1.181(30.00)	1.335(33.90)	1.299(33.00)	16	FWF20016-S16B12W1B	1.181(30.00)	1.335(33.90)	1.299(33.00)

 THIRD ANGLE PROJECTION	GENERAL TOLERANCES (UNLESS SPECIFIED)		APPROVE BY FRANK	DATE 18/JUN/13	PART NO. FWF20016-SXXBX2W1B	ITEM NO. FWF20016	 Leader Of Industry	
	X.±.012(0.30)	X.±5'	CHECKED BY JACOB	DATE 18/JUN/13	TITLE Wire to Board (Wafer) Pitch 2.0mm 90° Angled (DIP)			REV 0
	DESIGN UNITS Inch (metric)	X.XX±.008(0.20)	X.±2'	DRAWN BY CHERRY	DATE 18/JUN/13	THIS DRAWING CONTAINS INFORMATION THAT IS PROPRIETARY TO TXGA INDUSTRIAL ELECTRONICS(S.Z)CO.,LTD AND SHOULD NOT BE USED WITHOUT WRITTEN PERMISSION		
	SCALE 5:1	SIZE A4	X.XX±.006(0.15)	X.X±1'	X.XXX±.004(0.10)	X.XX±0.5'		

1 2 3 4 5 6 7 8

REV	LOCATIONS	DESCRIPTION	DATE	REVISER	APPD
1	△	Size change	20/SEP/19	KATE	CHERRY

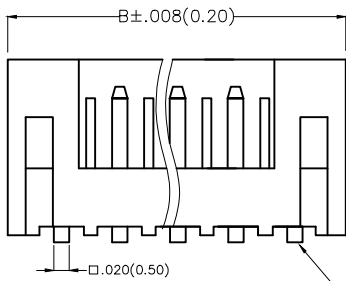


Electrical

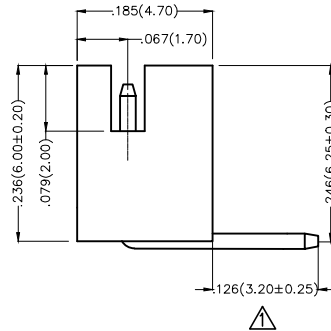
Current Rating: 2.0A AC(rms)/DC
Voltage Rating: 100V AC(rms)/DC
Contact Resistance: 10 mΩ Max
Insulation Resistance: 1000 MΩ MIN
Withstanding Voltage: 800V AC r.m.s
Temperature Range-Operating: -25°C ~ +85°C

Material and Plating

Housing: PA66(UL 94V-2)/PA6T(UL 94V-0)
Contact Pin: Brass
Plating: Full gold/ Full tin



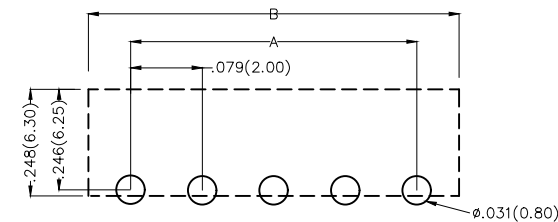
Circuit No.1



Ordering Information

FWF 200 16 — S XX B X 4 W5 B
1 2 3 4 5 6 7 8 9 10

1 Category FWF-Wafer	2 Series Number 200-Pitch2.0mm	3 Distinction No. 16	4 Row Option Single Row	5 Circuits XX	6 Entry Angle B-90° Angle
7 Plating 1-Gold Plated 2-Tin Plated	8 Material-Resin 4-PA6T	9 Color-Resin W5-White	10 Packaging B-PE Bag		



Recommended P.C.Board Layout

 THIRD ANGLE PROJECTION	GENERAL TOLERANCES (UNLESS SPECIFIED)		APPROVE BY FRANK	DATE 18/JUN/13	PART NO. FWF20016-SXXBX4W5B	ITEM NO. FWF20016	 Leader Of Industry	
	DESIGN UNITS Inch (metric)	X.±.012(0.30)	X.±5'	CHECKED BY JACOB	DATE 18/JUN/13	TITLE Wire to Board (Wafer) Pitch 2.0mm 90° Angled (DIP)		REV 1
SCALE 5:1	SIZE A4	X.XX±.008(0.20)	.X'±2'	DRAWN BY CHERRY	DATE 18/JUN/13	THIS DRAWING CONTAINS INFORMATION THAT IS PROPRIETARY TO TXGA INDUSTRIAL ELECTRONICS(S.Z)CO.,LTD AND SHOULD NOT BE USED WITHOUT WRITTEN PERMISSION		

1 2 3 4 5 6 7 8

REV	LOCATIONS	DESCRIPTION	DATE	REVISER	APPD

A

B

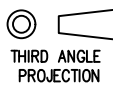

C

D

E

F

Circuits (n)	Part No.	Dimensions(in/mm)			Circuits (n)	Part No.	Dimensions(in/mm)		
		A	B	C			A	B	C
2	FWF20016-S02B24W5B	.079(2.00)	.232(5.90)	.197(5.00)	2	FWF20016-S02B14W5B	.079(2.00)	.232(5.90)	.197(5.00)
3	FWF20016-S03B24W5B	.157(4.00)	.311(7.90)	.157(7.00)	3	FWF20016-S03B14W5B	.157(4.00)	.311(7.90)	.157(7.00)
4	FWF20016-S04B24W5B	.236(6.00)	.390(9.90)	.354(9.00)	4	FWF20016-S04B14W5B	.236(6.00)	.390(9.90)	.354(9.00)
5	FWF20016-S05B24W5B	.315(8.00)	.469(11.90)	.433(11.00)	5	FWF20016-S05B14W5B	.315(8.00)	.469(11.90)	.433(11.00)
6	FWF20016-S06B24W5B	.394(10.00)	.547(13.90)	.512(13.00)	6	FWF20016-S06B14W5B	.394(10.00)	.547(13.90)	.512(13.00)
7	FWF20016-S07B24W5B	.472(12.00)	.626(15.90)	.591(15.00)	7	FWF20016-S07B14W5B	.472(12.00)	.626(15.90)	.591(15.00)
8	FWF20016-S08B24W5B	.551(14.00)	.705(17.90)	.670(17.00)	8	FWF20016-S08B14W5B	.551(14.00)	.705(17.90)	.670(17.00)
9	FWF20016-S09B24W5B	.630(16.00)	.783(19.90)	.748(19.00)	9	FWF20016-S09B14W5B	.630(16.00)	.783(19.90)	.748(19.00)
10	FWF20016-S10B24W5B	.709(18.00)	.862(21.90)	.827(21.00)	10	FWF20016-S10B14W5B	.709(18.00)	.862(21.90)	.827(21.00)
11	FWF20016-S11B24W5B	.787(20.00)	.941(23.90)	.906(23.00)	11	FWF20016-S11B14W5B	.787(20.00)	.941(23.90)	.906(23.00)
12	FWF20016-S12B24W5B	.866(22.00)	1.020(25.90)	.984(25.00)	12	FWF20016-S12B14W5B	.866(22.00)	1.020(25.90)	.984(25.00)
13	FWF20016-S13B24W5B	.945(24.00)	1.098(27.90)	1.063(27.00)	13	FWF20016-S13B14W5B	.945(24.00)	1.098(27.90)	1.063(27.00)
14	FWF20016-S14B24W5B	1.024(26.00)	1.177(29.90)	1.142(29.00)	14	FWF20016-S14B14W5B	1.024(26.00)	1.177(29.90)	1.142(29.00)
15	FWF20016-S15B24W5B	1.102(28.00)	1.256(31.90)	1.220(31.00)	15	FWF20016-S15B14W5B	1.102(28.00)	1.256(31.90)	1.220(31.00)
16	FWF20016-S16B24W5B	1.181(30.00)	1.335(33.90)	1.299(33.00)	16	FWF20016-S16B14W5B	1.181(30.00)	1.335(33.90)	1.299(33.00)

 THIRD ANGLE PROJECTION	GENERAL TOLERANCES (UNLESS SPECIFIED)		APPROVE BY FRANK	DATE 18/JUN/13	PART NO. FWF20016-SXXBX4W5B	ITEM NO. FWF20016	 Leader Of Industry	
	X.±.012(0.30)	X.'±5'	CHECKED BY JACOB	DATE 18/JUN/13	TITLE Wire to Board (Wafer) Pitch 2.0mm 90° Angled (DIP)			REV 1
	DESIGN UNITS Inch (metric)	X.XX±.008(0.20)	.X'±2'	DRAWN BY CHERRY	DATE 18/JUN/13	THIS DRAWING CONTAINS INFORMATION THAT IS PROPRIETARY TO TXGA INDUSTRIAL ELECTRONICS(S.Z)CO.,LTD AND SHOULD NOT BE USED WITHOUT WRITTEN PERMISSION		
	SCALE 5:1	SIZE A4	X.XX±.006(0.15)	.XX'±1'	X.XXX±.004(0.10)	.XXX'±0.5'		

1 2 3 4 5 6 7 8

X-ON Electronics

Largest Supplier of Electrical and Electronic Components

Click to view similar products for [Headers & Wire Housings](#) category:

Click to view products by [TXGA](#) manufacturer:

Other Similar products are found below :

[57102-F02-18ULF](#) [58102-G61-06LF](#) [582553-1](#) [009176003701906](#) [01.001.5753.1](#) [0050291907](#) [02.125.8002.8](#) [609-3404](#) [61062-3](#)
[CSU011177004](#) [622-0430](#) [622-3653LF](#) [63453-116](#) [636-1030](#) [636-1427](#) [636-3427](#) [636-4007](#) [641938-9](#) [644827-2](#) [65495-038](#) [65692-001LF](#)
[65781-018](#) [65781-047](#) [65817-010LF](#) [65817-015LF](#) [66207-023LF](#) [67095-007LF](#) [67601157](#) [68631-112](#) [68645-018](#) [699319-000](#)
[M90C108951C](#) [70.362.1628.0](#) [70-4210](#) [70-4226B](#) [70-4853B](#) [707-5028](#) [71.350.2428.0](#) [71961-016LF](#) [733-134](#) [733-162](#) [754199-000](#) [760-](#)
[3052](#) [80.063.4001.1](#) [800-90-001-10-001000](#) [800-90-010-10-002000](#) [801-43-002-10-013000](#) [801-43-006-10-002000](#) [803-41-018-10-001000](#)
[803-43-024-10-001000](#)