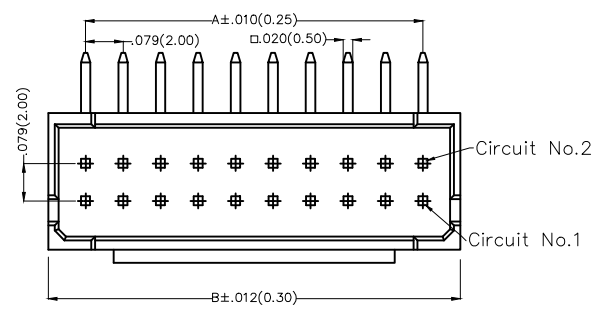
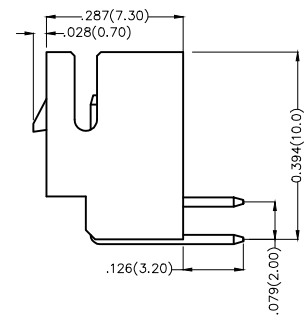
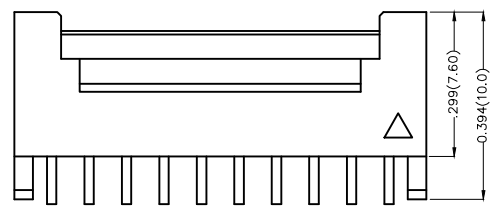


REV	LOCATIONS	DESCRIPTION	DATE	REVISER	APPD



Electrical
 Current Rating: 3.0A AC(rms)/DC
 Voltage Rating: 250V AC(rms)/DC
 Contact Resistance: 30 mΩ Max
 Insulation Resistance: 1000 MΩ MIN
 Withstanding Voltage: 1000V AC r.m.s
 Temperature Range—Operating: -25°C ~ +85°C

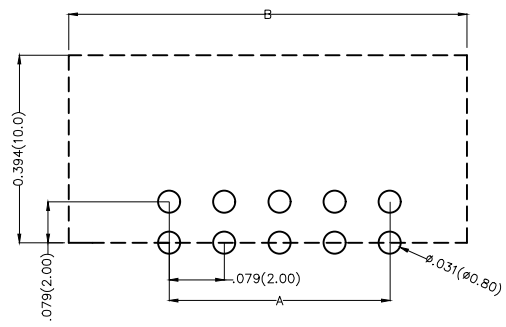
Material and Plating
 Housing: PA46(UL 94V-0)
 Contact Pin: Brass
 Plating: Tin Plated



Ordering Information

FWF 200 17 — D XX B 2 2 W5 B
 1 2 3 4 5 6 7 8 9 10

1 Category FWF-Wafer	2 Series Number 200-Pitch2.0mm	3 Distinction No. 17	4 Row Option Double Row	5 Circuits XX	6 Entry Angle B-90° Angle
7 Plating 2-Tin Plated	8 Material-Resin 2-PA46	9 Color-Resin W5-White	10 Packaging B-PE Bag		



Recommended P.C.Board Layout

 THIRD ANGLE PROJECTION	GENERAL TOLERANCES (UNLESS SPECIFIED)		APPROVE BY FRANK	DATE 18/JUN/13	PART NO. FWF20017-DXXB22W5B	ITEM NO. FWF20017	 Leader Of Industry	
	X.±.012(0.30)	.X'±5'	CHECKED BY JACOB	DATE 18/JUN/13	TITLE Wire to Board (Wafer) Pitch 2.0mm 90° Angled (DIP)			REV 0
	DESIGN UNITS Inch (metric)	X.XX±.008(0.20)	.X'±2'	DRAWN BY CHERRY	DATE 18/JUN/13	THIS DRAWING CONTAINS INFORMATION THAT IS PROPRIETARY TO TXGA INDUSTRIAL ELECTRONICS(S.Z)CO.,LTD AND SHOULD NOT BE USED WITHOUT WRITTEN PERMISSION		
	SCALE 5:1	SIZE A4	X.XX±.006(0.15)	.XX'±1'	X.XXX±.004(0.10)	.XXX'±0.5'		

1 2 3 4 5 6 7 8

REV	LOCATIONS	DESCRIPTION	DATE	REVISER	APPD

A

A

B

B

C

C

D

D



E

E

F

F

Circuits (n)	Part No.	Dimensions(in/mm)	
		A	B
6	FWF20017-D06B22W5B	.157(4.00)	.315(8.00)
8	FWF20017-D08B22W5B	.236(6.00)	.394(10.00)
10	FWF20017-D10B22W5B	.315(8.00)	.472(12.00)
12	FWF20017-D12B22W5B	.394(10.00)	.551(14.00)
14	FWF20017-D14B22W5B	.472(12.00)	.630(16.00)
16	FWF20017-D16B22W5B	.551(14.00)	.709(18.00)
18	FWF20017-D18B22W5B	.630(16.00)	.787(20.00)
20	FWF20017-D20B22W5B	.709(18.00)	.866(22.00)
22	FWF20017-D22B22W5B	.787(20.00)	.945(24.00)
24	FWF20017-D24B22W5B	.866(22.00)	1.024(26.00)
26	FWF20017-D26B22W5B	.945(24.00)	1.102(28.00)
28	FWF20017-D28B22W5B	1.024(26.00)	1.181(30.00)
30	FWF20017-D30B22W5B	1.102(28.00)	1.260(32.00)
32	FWF20017-D32B22W5B	1.181(30.00)	1.339(34.00)
34	FWF20017-D34B22W5B	1.260(32.00)	1.417(36.00)
36	FWF20017-D36B22W5B	1.339(34.00)	1.496(38.00)
38	FWF20017-D38B22W5B	1.417(36.00)	1.575(40.00)
40	FWF20017-D40B22W5B	1.496(38.00)	1.654(42.00)

 THIRD ANGLE PROJECTION	GENERAL TOLERANCES (UNLESS SPECIFIED)		APPROVE BY FRANK	DATE 18/JUN/13	PART NO. FWF20017-DXXB22W5B	ITEM NO. FWF20017	 Leader Of Industry	
	X.±.012(0.30)	X.±5'	CHECKED BY JACOB	DATE 18/JUN/13	TITLE Wire to Board (Wafer) Pitch 2.0mm 90° Angled (DIP)			REV 0
	DESIGN UNITS Inch (metric)	X.X±.008(0.20)	.X'±2"	DRAWN BY CHERRY	DATE 18/JUN/13	THIS DRAWING CONTAINS INFORMATION THAT IS PROPRIETARY TO TXGA INDUSTRIAL ELECTRONICS(S.Z)CO.,LTD AND SHOULD NOT BE USED WITHOUT WRITTEN PERMISSION		
SCALE 5:1	SIZE A4	X.XXX±.004(0.10)	.XXX'±0.5'					

1 2 3 4 5 6 7 8

X-ON Electronics

Largest Supplier of Electrical and Electronic Components

Click to view similar products for [Headers & Wire Housings](#) category:

Click to view products by [TXGA](#) manufacturer:

Other Similar products are found below :

[57102-F02-18ULF](#) [58102-G61-06LF](#) [0009485154](#) [009176003701906](#) [0050291907](#) [02.125.8002.8](#) [609-3404](#) [61062-3](#) [622-0430](#) [622-3653LF](#)
[63453-116](#) [636-1030](#) [636-1427](#) [636-3427](#) [636-4007](#) [641938-9](#) [644827-2](#) [65495-038](#) [65692-001LF](#) [65781-018](#) [65781-047](#) [65817-010LF](#)
[65817-015LF](#) [66207-023LF](#) [67016-026LF](#) [67095-007LF](#) [68631-112](#) [68645-018](#) [68648-049](#) [699319-000](#) [70.362.1628.0](#) [70-4210](#) [70-4226B](#)
[70-4853B](#) [707-5020](#) [707-5028](#) [71.350.2428.0](#) [71961-016LF](#) [733-134](#) [754199-000](#) [760-3052](#) [787-8014-00](#) [FCN-367T-T012/H](#) [80.063.4001.1](#)
[800-90-001-10-001000](#) [800-90-010-10-002000](#) [801-43-002-10-013000](#) [801-43-006-10-002000](#) [803-41-018-10-001000](#) [803-43-014-20-](#)
[001000](#)