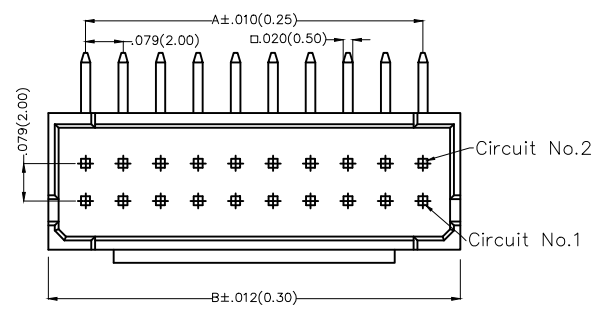
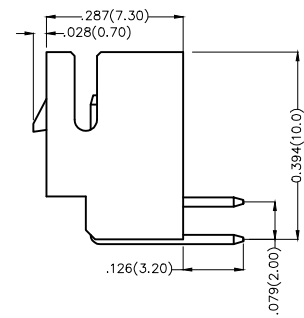
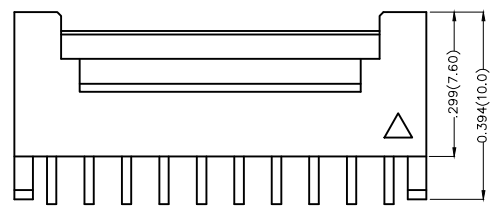


REV	LOCATIONS	DESCRIPTION	DATE	REVISER	APPD



**Electrical**  
 Current Rating: 3.0A AC(rms)/DC  
 Voltage Rating: 250V AC(rms)/DC  
 Contact Resistance: 30 mΩ Max  
 Insulation Resistance: 1000 MΩ MIN  
 Withstanding Voltage: 1000V AC r.m.s  
 Temperature Range—Operating: -25°C~+85°C

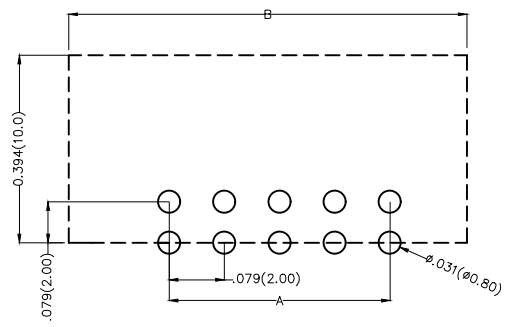
**Material and Plating**  
 Housing: PA46( UL 94V-0)  
 Contact Pin: Brass  
 Plating: Tin Plated



### Ordering Information

FWF 200 17 — D XX B 2 2 W5 B  
 1 2 3 4 5 6 7 8 9 10

1   Category FWF—Wafer	2   Series Number 200—Pitch2.0mm	3   Distinction No. 17	4   Row Option Double Row	5   Circuits XX	6   Entry Angle B—90° Angle
7   Plating 2—Tin Plated	8   Material—Resin 2—PA46	9   Color—Resin W5—White	10   Packaging B—PE Bag		



Recommended P.C.Board Layout

 <b>THIRD ANGLE PROJECTION</b>	GENERAL TOLERANCES (UNLESS SPECIFIED)		APPROVE BY FRANK	DATE 18/JUN/13	PART NO. FWF20017—DXXB22W5B	ITEM NO. FWF20017	 <b>TXGA</b> Leader Of Industry	
	X.±.012(0.30)	.X'±5'	CHECKED BY JACOB	DATE 18/JUN/13	TITLE Wire to Board (Wafer) Pitch 2.0mm 90° Angled (DIP)			REV 0
	DESIGN UNITS Inch (metric)	X.XX±.008(0.20)	.X'±2'	DRAWN BY CHERRY	DATE 18/JUN/13	THIS DRAWING CONTAINS INFORMATION THAT IS PROPRIETARY TO TXGA INDUSTRIAL ELECTRONICS(S.Z)CO.,LTD AND SHOULD NOT BE USED WITHOUT WRITTEN PERMISSION		
	SCALE 5:1	SIZE A4	X.XX±.006(0.15)	.XX'±1'	X.XXX±.004(0.10)	.XXX'±0.5'		

1 2 3 4 5 6 7 8

REV	LOCATIONS	DESCRIPTION	DATE	REVISER	APPD

A

B

C

D

E

F

A

B



C

D

E

F

Circuits (n)	Part No.	Dimensions(in/mm)	
		A	B
6	FWF20017-D06B22W5B	.157(4.00)	.315(8.00)
8	FWF20017-D08B22W5B	.236(6.00)	.394(10.00)
10	FWF20017-D10B22W5B	.315(8.00)	.472(12.00)
12	FWF20017-D12B22W5B	.394(10.00)	.551(14.00)
14	FWF20017-D14B22W5B	.472(12.00)	.630(16.00)
16	FWF20017-D16B22W5B	.551(14.00)	.709(18.00)
18	FWF20017-D18B22W5B	.630(16.00)	.787(20.00)
20	FWF20017-D20B22W5B	.709(18.00)	.866(22.00)
22	FWF20017-D22B22W5B	.787(20.00)	.945(24.00)
24	FWF20017-D24B22W5B	.866(22.00)	1.024(26.00)
26	FWF20017-D26B22W5B	.945(24.00)	1.102(28.00)
28	FWF20017-D28B22W5B	1.024(26.00)	1.181(30.00)
30	FWF20017-D30B22W5B	1.102(28.00)	1.260(32.00)
32	FWF20017-D32B22W5B	1.181(30.00)	1.339(34.00)
34	FWF20017-D34B22W5B	1.260(32.00)	1.417(36.00)
36	FWF20017-D36B22W5B	1.339(34.00)	1.496(38.00)
38	FWF20017-D38B22W5B	1.417(36.00)	1.575(40.00)
40	FWF20017-D40B22W5B	1.496(38.00)	1.654(42.00)

 THIRD ANGLE PROJECTION	GENERAL TOLERANCES (UNLESS SPECIFIED)		APPROVE BY FRANK	DATE 18/JUN/13	PART NO. FWF20017-DXXB22W5B	ITEM NO. FWF20017	 Leader Of Industry		
	DESIGN UNITS Inch (metric)	X.±.012(0.30)	X.±5'	CHECKED BY JACOB	DATE 18/JUN/13	TITLE Wire to Board (Wafer) Pitch 2.0mm 90° Angled (DIP)		REV 0	SHEET NO. 2/2
	SCALE 5:1	SIZE A4	X.XX±.008(0.20)	X.±2'	DRAWN BY CHERRY	DATE 18/JUN/13	THIS DRAWING CONTAINS INFORMATION THAT IS PROPRIETARY TO TXGA INDUSTRIAL ELECTRONICS(S.Z)CO.,LTD AND SHOULD NOT BE USED WITHOUT WRITTEN PERMISSION		

1 2 3 4 5 6 7 8

## X-ON Electronics

Largest Supplier of Electrical and Electronic Components

*Click to view similar products for [Headers & Wire Housings](#) category:*

*Click to view products by [TXGA](#) manufacturer:*

Other Similar products are found below :

[57102-F02-18ULF](#) [58102-G61-06LF](#) [582553-1](#) [009176003701906](#) [01.001.5753.1](#) [0050291907](#) [02.125.8002.8](#) [609-3404](#) [61062-3](#)  
[CSU011177004](#) [622-0430](#) [622-3653LF](#) [63453-116](#) [636-1030](#) [636-1427](#) [636-3427](#) [636-4007](#) [641938-9](#) [644827-2](#) [65495-038](#) [65692-001LF](#)  
[65781-018](#) [65781-047](#) [65817-010LF](#) [65817-015LF](#) [66207-023LF](#) [67095-007LF](#) [67601157](#) [68631-112](#) [68645-018](#) [699319-000](#)  
[M90C108951C](#) [70.362.1628.0](#) [70-4210](#) [70-4226B](#) [70-4853B](#) [707-5028](#) [71.350.2428.0](#) [71961-016LF](#) [733-134](#) [733-162](#) [754199-000](#) [760-](#)  
[3052](#) [80.063.4001.1](#) [800-90-001-10-001000](#) [800-90-010-10-002000](#) [801-43-002-10-013000](#) [801-43-006-10-002000](#) [803-41-018-10-001000](#)  
[803-43-024-10-001000](#)