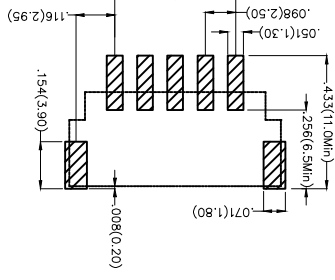
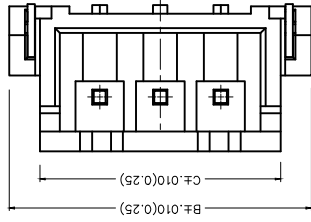
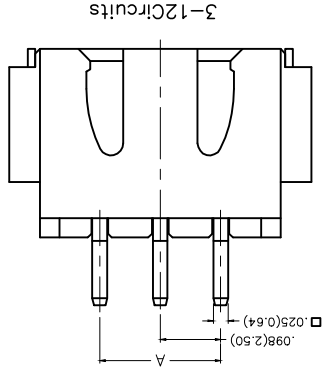
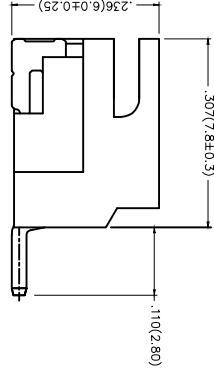
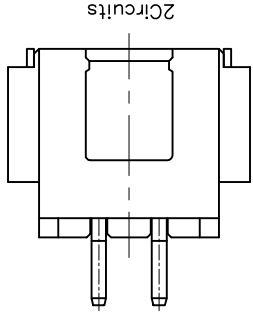


REV	LOCATIONS	DESCRIPTION	DATE	REVISER	APPD

**Electrical**  
 Current Rating: 3.0A AC(rms)/DC  
 Voltage Rating: 250V AC(rms)/DC  
 Contact Resistance: 20 mΩ Max  
 Insulation Resistance: 1000 MΩ MIN  
 Withstanding Voltage: 1000V AC r.m.s  
 Temperature Range—Operating: -25°C~+85°C  
 Material and Plating  
 Housing: PA9T (UL 94V-0)  
 Contact Pin: Brass  
 Plating: Tin Plated



### Ordering Information

FWF 250 21 — S XX B 2 X W5 M  
 1 2 3 4 5 6 7 8 9 10

1	Category	FWF—Water
2	Series Number	250—Pitch 2.5mm
3	Distinction No.	21
4	Row Option	Single Row
5	Circuits	XX
6	Entry Angle	B—90° Angle
7	Plating	2—Tin Plated
8	Material—Resin	4—PA9T
9	Color—Resin	W5—White
10	Packaging	M—Reel

THIRD ANGLE PROJECTION	DESIGN UNITS	SCALE	SIZE
	Inch (metric)	5:1	A4
	X.±.012(0.30)	X.XX±.006(0.15)	X.XXX±.004(0.10)
	X.±.2	.XX±.1	.XXX±.05

GENERAL TOLERANCES (UNLESS SPECIFIED)	APPROVE BY	DATE	PART NO.
	FRANK	01/JUL/13	FWF25021—SXXB24W5M
	CHECKED BY	DATE	TITLE
	JACOB	01/JUL/13	Wire to Board (Water) Pitch 2.5mm 90° Angle (SMT)
	DRAWN BY	DATE	REV 0
	CHEERY	01/JUL/13	SHEET NO. 1/2


THIS DRAWING CONTAINS INFORMATION THAT IS PROPRIETARY TO TXGA INDUSTRIAL ELECTRONICS(SZ)CO.,LTD AND SHOULD NOT BE USED WITHOUT WRITTEN PERMISSION

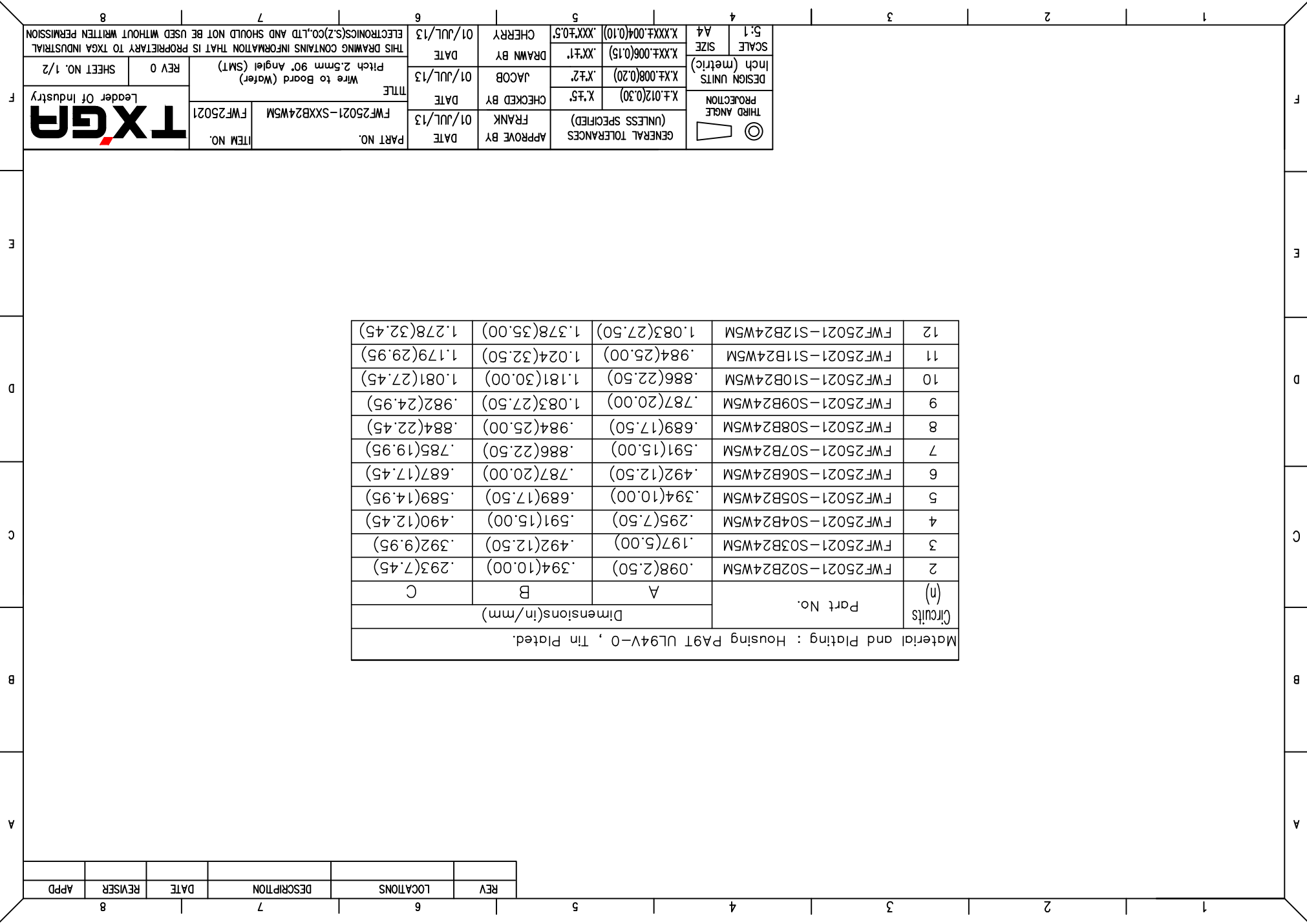
TXGA  
 Leader Of Industry

REV	LOCATIONS	DESCRIPTION	DATE	REVISER	APPD

Circuits (n)	Part No.	Dimensions(in/mm)		
		A	B	C
2	FWF25021-S02B24W5M	.098(2.50)	.394(10.00)	.293(7.45)
3	FWF25021-S03B24W5M	.197(5.00)	.492(12.50)	.392(9.95)
4	FWF25021-S04B24W5M	.295(7.50)	.591(15.00)	.490(12.45)
5	FWF25021-S05B24W5M	.394(10.00)	.689(17.50)	.589(14.95)
6	FWF25021-S06B24W5M	.492(12.50)	.787(20.00)	.687(17.45)
7	FWF25021-S07B24W5M	.591(15.00)	.886(22.50)	.785(19.95)
8	FWF25021-S08B24W5M	.689(17.50)	.984(25.00)	.884(22.45)
9	FWF25021-S09B24W5M	.787(20.00)	1.083(27.50)	.982(24.95)
10	FWF25021-S10B24W5M	.886(22.50)	1.181(30.00)	1.081(27.45)
11	FWF25021-S11B24W5M	.984(25.00)	1.024(32.50)	1.179(29.95)
12	FWF25021-S12B24W5M	1.083(27.50)	1.378(35.00)	1.278(32.45)

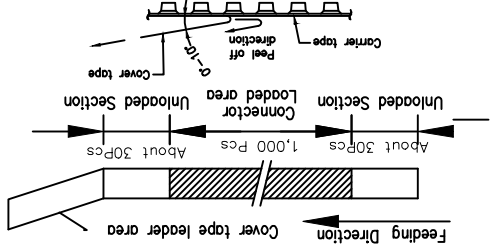
Material and Plating : Housing PA9T UL94V-0 , Tin Plated.

 THIRD ANGLE PROJECTION		GENERAL TOLERANCES (UNLESS SPECIFIED) APPROVE BY FRANK DATE 01/JUL/13 PART NO. FWF25021-SXXB24W5M ITEM NO. FWF25021	CHECKED BY JACOB DATE 01/JUL/13 TITLE Wire to Board (Water) Pitch 2.5mm 90° Angle (SMT)	DRAWN BY CHERRY DATE 01/JUL/13 THIS DRAWING CONTAINS INFORMATION THAT IS PROPRIETARY TO TXGA INDUSTRIAL ELECTRONICS(SZ)CO.,LTD AND SHOULD NOT BE USED WITHOUT WRITTEN PERMISSION
DESIGN UNITS Inch (metric)	SCALE SIZE 5:1 A4	X±.012(0.30) X±.008(0.20) X±.006(0.15) X±.004(0.10) XXX±0.5	X±.7 X±.7	01/JUL/13 CHERRY

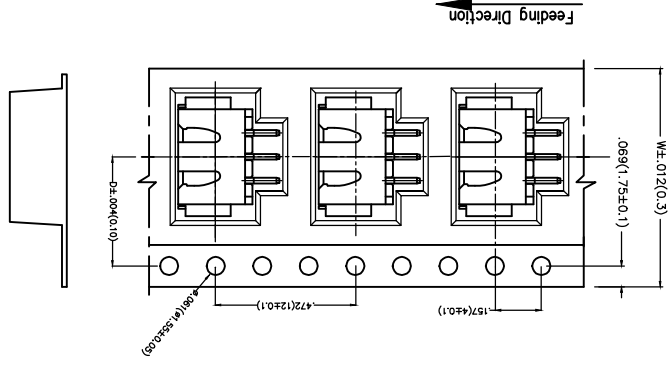
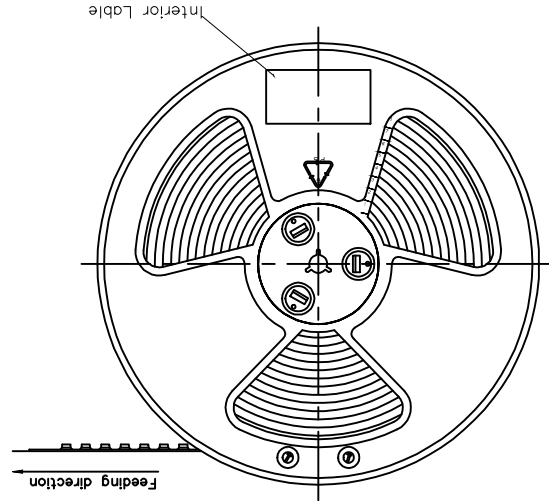
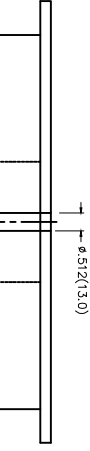
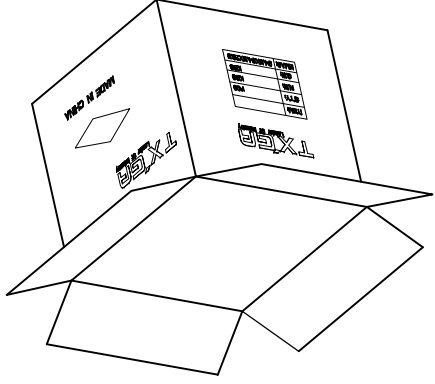
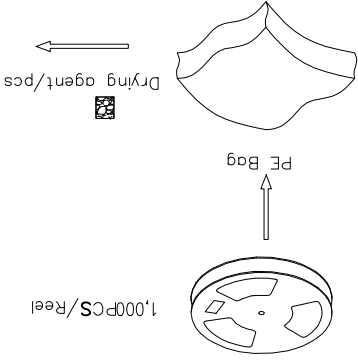


REV	LOCATIONS	DESCRIPTION	DATE	REVISER	APPD

- Note:
1. 10 sprocket hole cumulative tolerance±0.2
  2. Carrier camber is within 1.0mm in 100mm
  3. Material: White Conductive polystyrene Alloy 100% recyclable
  4. All dimensions meet EIA-481-3 requirements
  5. Component load per 13" reel: 1,000pcs



Circuits	Dimensions(in/mm)	W	D	(n)	Dimensions(in/mm)
2	.295(7.50)	.630(16.00)	.559(14.20)	8	1.260(32.00)
3	.295(7.50)	.630(16.00)	.559(14.20)	9	1.260(32.00)
4	.453(11.50)	.945(24.00)	.559(14.20)	10	1.260(32.00)
5	.453(11.50)	.945(24.00)	.795(20.20)	11	1.732(44.00)
6	.453(11.50)	.945(24.00)	.795(20.20)	12	1.732(44.00)
7	.559(14.20)	1.260(32.00)			



THIRD ANGLE	PROJECTION	DESIGN UNITS	SCALE	SCALE SIZE	GENERAL TOLERANCES (UNLESS SPECIFIED)	APPROVE BY	DATE	PART NO.	ITEM NO.
		X.X±.008(0.20) Inch (metric)	5:1	A4	X.X±.012(0.30) X.X±.006(0.15) X.XXX±.004(0.10)	FRANK	01/JUL/13	FWF25021-SXXB24W5M	FWF25021
		X.X±.008(0.20) X.X±.006(0.15) X.XXX±.004(0.10)				JACOB	01/JUL/13	Wire to Board (Wobel) Pitch 2.5mm 90° Angle (SMT)	
						DRAWN BY	DATE	REV 0	
						CHERRY	01/JUL/13	SHEET NO. 2/2	

**TXGA**  
Leader Of Industry

THIS DRAWING CONTAINS INFORMATION THAT IS PROPRIETARY TO TXGA INDUSTRIAL ELECTRONICS(SZ)CO.,LTD AND SHOULD NOT BE USED WITHOUT WRITTEN PERMISSION

## X-ON Electronics

Largest Supplier of Electrical and Electronic Components

*Click to view similar products for [Headers & Wire Housings](#) category:*

*Click to view products by [TXGA](#) manufacturer:*

Other Similar products are found below :

[95000-104TRLF](#) [10135584-644402LF](#) [DF62W-EP2022PCA](#) [95000-106TRLF](#) [DF62W-2022SCA](#) [DF62W-EP2022PC](#) [2203348](#) [DF62W-2022SC](#) [1084018](#) [1029039](#) [1084017](#) [802-10-012-10-002000](#) [1112640](#) [1112639](#) [891-007-9SS-BST1T](#) [000-34000](#) [0008550134](#) [0009482033](#) [0009507031](#) [57102-F02-18ULF](#) [57102-S06-03LF](#) [57202-S52-04LF](#) [PCN6-15S-2.5E](#) [0039019024](#) [58102-G61-06LF](#) [582553-1](#) [0009485154](#) [0009508121](#) [0022285053](#) [0050291907](#) [018731A](#) [LY20-4P-DT1-P1E-BR](#) [02.125.8002.8](#) [60101931](#) [60598-1 \(Cut Strip\)](#) [M1625-3R/100](#) [61062-3](#) [61082-181009](#) [CSU011177004](#) [636-1427](#) [638009-1](#) [641938-9](#) [641991-4](#) [644168-1](#) [644827-2](#) [647662-1](#) [65039-019ELF](#) [65692-001LF](#) [65781-018](#) [65781-047](#)