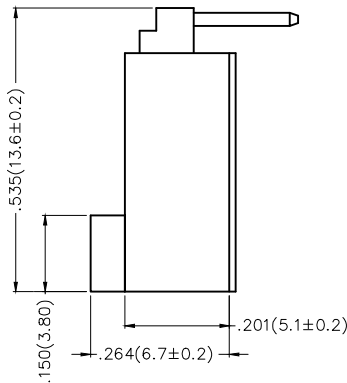
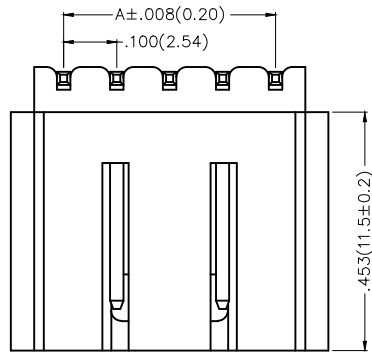
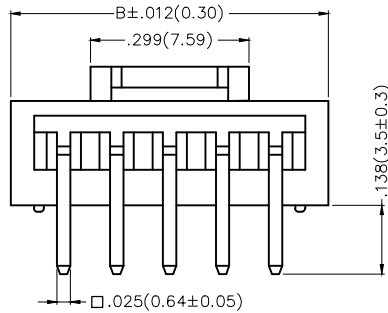


REV	LOCATIONS	DESCRIPTION	DATE	REVISER	APPD



**Electrical**

Current Rating: 2.5A AC(rms)/DC  
Voltage Rating: 250V AC(rms)/DC  
Contact Resistance: 20 mΩ Max  
Insulation Resistance: 1000 MΩ MIN  
Withstanding Voltage: 800V AC r.m.s  
Temperature Range—Operating: -25°C~+85°C

**Material and Plating**

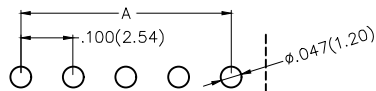
Housing: PBT( UL 94V-0)  
Contact Pin: Brass  
Plating: Gold Plated

Circuits (n)	Part No.	Dimensions(in/mm)	
		A	B
2	FWF25405-S02B12K6B	.100(2.54)	.299(7.59)
3	FWF25405-S03B12K6B	.200(5.08)	.399(10.13)
4	FWF25405-S04B12K6B	.300(7.62)	.499(12.67)
5	FWF25405-S05B12K6B	.400(10.16)	.599(15.21)
6	FWF25405-S06B12K6B	.500(12.70)	.699(17.75)
7	FWF25405-S07B12K6B	.600(15.24)	.799(20.29)
8	FWF25405-S08B12K6B	.700(17.78)	.899(22.83)
9	FWF25405-S09B12K6B	.800(20.32)	.999(25.37)
10	FWF25405-S10B12K6B	.900(22.86)	1.099(27.91)
11	FWF25405-S11B12K6B	1.000(25.40)	1.199(30.45)
12	FWF25405-S12B12K6B	1.100(27.94)	1.299(32.99)


**Ordering Information**

FWF 254 05 — S XX B 1 2 K6 B  
1 2 3 4 5 6 7 8 9 10

1 <u>Category</u> FWF-Wafer	2 <u>Series Number</u> 254-Pitch2.54mm	3 <u>Distinction No.</u> 02	4 <u>Row Option</u> Single Row	5 <u>Circuits</u> XX	6 <u>Entry Angle</u> B-90° Angle
7 <u>Plating</u> 1-Gold Plated	8 <u>Material-Resin</u> 2-PBT	9 <u>Color-Resin</u> K6-Black	10 <u>Packaging</u> B-PE Bag		



Recommended P.C.Board Layout

THIRD ANGLE PROJECTION	GENERAL TOLERANCES (UNLESS SPECIFIED)		APPROVE BY FRANK	DATE 8/JUL/13	PART NO. FWF25405-SXXB12K6B	ITEM NO. FWF25405	 Leader Of Industry
	DESIGN UNITS Inch (metric)	X.±.012(0.30) X.±5°	CHECKED BY JACOB	DATE 8/JUL/13	TITLE Wire to Board (Wafer) Pitch 2.54mm 90° Angle (DIP)		
SCALE 5:1	SIZE A4	X.XX±.006(0.15) .XX'±1°	DRAWN BY CHERRY	DATE 8/JUL/13	THIS DRAWING CONTAINS INFORMATION THAT IS PROPRIETARY TO TXGA INDUSTRIAL ELECTRONICS(S.Z)CO.,LTD AND SHOULD NOT BE USED WITHOUT WRITTEN PERMISSION		
		X.XXX±.004(0.10) .XXX'±0.5°					

## X-ON Electronics

Largest Supplier of Electrical and Electronic Components

*Click to view similar products for [Headers & Wire Housings](#) category:*

*Click to view products by [TXGA](#) manufacturer:*

Other Similar products are found below :

[0015917161](#) [0022155065](#) [57102-F02-18ULF](#) [58102-G61-06LF](#) [582553-1](#) [01.001.5753.1](#) [0050291907](#) [02.125.8002.8](#) [609-3404](#) [61062-3](#)  
[CSU011177004](#) [622-0430](#) [622-3653LF](#) [63453-116](#) [636-1030](#) [636-1427](#) [636-3427](#) [636-4007](#) [641938-9](#) [65495-038](#) [65692-001LF](#) [65781-018](#)  
[65781-047](#) [65817-010LF](#) [65817-015LF](#) [67095-007LF](#) [67601157](#) [68631-112](#) [68645-018](#) [699319-000](#) [70.362.1628.0](#) [70-4210](#) [70-4226B](#) [70-](#)  
[4853B](#) [71.350.2428.0](#) [733-134](#) [733-162](#) [760-3052](#) [MHR-64-VUAL](#) [80.063.4001.1](#) [800-90-001-10-001000](#) [801-43-002-10-013000](#)  
[801-43-006-10-002000](#) [803-43-024-10-001000](#) [803-93-012-10-001000](#) [8-1437020-4](#) [819-22-004-30-001101](#) [820-22-006-30-001101](#)  
[820-22-008-30-001101](#) [821-22-002-10-001101](#)