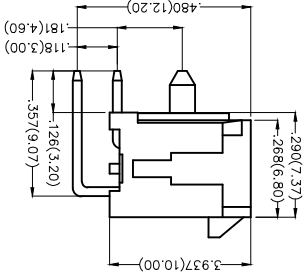
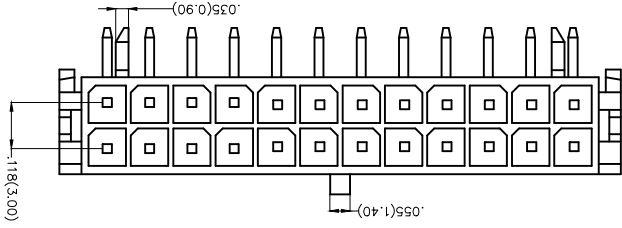
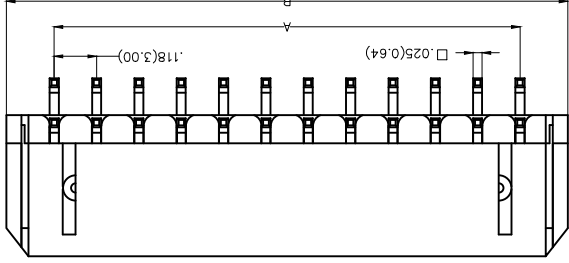
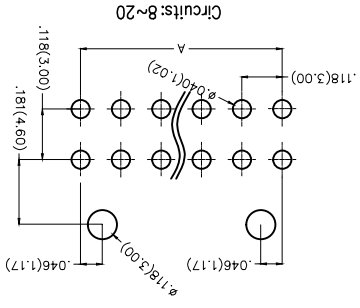
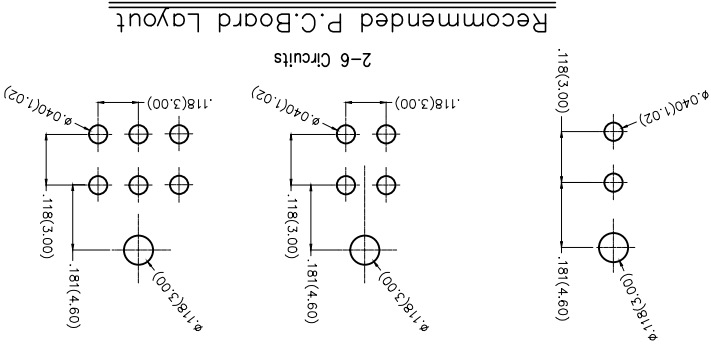


Recommended P.C.Board Layout



Ordering Information

1	Category	FWF-Water
2	Series Number	300-Pitch 3.0mm
3	Distinction No.	02
4	Row Option	Double Row
5	Circuits	XX
6	Entry Angle	B-90° Angle
7	Plating	2-Tin Plated
8	Material-Resin	2-PA66
9	Color-Resin	K6-Black
10	Packaging	B-PE Bag



Electrical  
 Current Rating: 5.0A AC(rms)/DC  
 Voltage Rating: 250V AC(rms)/DC  
 Contact Resistance: 10 mΩ Max  
 Insulation Resistance: 1000 MΩ MIN  
 Withstanding Voltage: 1500V AC r.m.s  
 Temperature Range-Operating: -40°C~+105°C  
 Material and Plating  
 Housing: PA66 (UL 94V-0)  
 Contact Pin: Brass  
 Plating: Tin Plated


Recommended P.C.Board Layout

Wire to Board (Water)  
 Pitch 3.0mm 90° Angle (DIP)

THIRD ANGLE PROJECTION	DESIGN UNITS	X.XX±.008(0.20)	X.XX±.006(0.15)	X.XX±.004(0.10)	X.XX±.0.5	JACOB	DATE	01/JUL/13	THIS DRAWING CONTAINS INFORMATION THAT IS PROPRIETARY TO TXGA INDUSTRIAL ELECTRONICS(Z)CO.,LTD AND SHOULD NOT BE USED WITHOUT WRITTEN PERMISSION
	SCALE	5:1	A4						
	APPROVE BY	FRANK	CHECKED BY	CHEERY	DATE	01/JUL/13	PART NO.	FWF30002-DXXB22K6B	ITEM NO.
	GENERAL TOLERANCES (UNLESS SPECIFIED)						TITLE	FWF30002	REV 0
							DATE	01/JUL/13	SHEET NO. 1/2
							Leader Of Industry		
							<b>TXGA</b>		

REV	LOCATIONS	DESCRIPTION	DATE	REVISER	APPD

Material and Plating : Housing P66 UL94V-0 , Tin Plated.		
Circuits (n)	Part No.	Dimensions(in/mm)
		A
2	FWF30002-D02B22K6B	—
4	FWF30002-D04B22K6B	.118(3.00)
6	FWF30002-D06B22K6B	.236(6.00)
8	FWF30002-D08B22K6B	.354(9.00)
10	FWF30002-D10B22K6B	.472(12.00)
12	FWF30002-D12B22K6B	.591(15.00)
14	FWF30002-D14B22K6B	.709(18.00)
16	FWF30002-D16B22K6B	.827(21.00)
18	FWF30002-D18B22K6B	.945(24.00)
20	FWF30002-D20B22K6B	1.063(27.00)
22	FWF30002-D22B22K6B	1.181(30.00)
24	FWF30002-D24B22K6B	1.299(33.00)

THIRD ANGLE PROJECTION 	DESIGN UNITS Inch (metric)	X.X±.008(0.20)	X.X±.2	CHECKED BY CHERRY	DATE 01/JUL/13	TITLE Wire to Board (Water) Pitch 3.0mm 90° Angle (DIP)	REV 0	SHEET NO. 2/2
	SCALE 5:1 A4	X.XX±.006(0.15)	X.X±.1	DRAWN BY JACOB	DATE 01/JUL/13	THIS DRAWING CONTAINS INFORMATION THAT IS PROPRIETARY TO TXGA INDUSTRIAL ELECTRONICS(SZ)CO.,LTD AND SHOULD NOT BE USED WITHOUT WRITTEN PERMISSION		
GENERAL TOLERANCES (UNLESS SPECIFIED)	X.±.012(0.30)	X.±.5	APPROVE BY FRANK	DATE 01/JUL/13	PART NO. FWF30002-DXXB22K6B	ITEM NO. FWF30002	Leader Of Industry <b>TXGA</b>	

REV	LOCATIONS	DESCRIPTION	DATE	REVISER	APPD

## X-ON Electronics

Largest Supplier of Electrical and Electronic Components

*Click to view similar products for [Headers & Wire Housings](#) category:*

*Click to view products by [TXGA](#) manufacturer:*

Other Similar products are found below :

[95000-104TRLF](#) [10135584-644402LF](#) [DF62W-EP2022PCA](#) [95000-106TRLF](#) [DF62W-2022SCA](#) [DF62W-EP2022PC](#) [2203348](#) [DF62W-2022SC](#) [1084018](#) [1029039](#) [1084017](#) [802-10-012-10-002000](#) [1112640](#) [1112639](#) [891-007-9SS-BST1T](#) [000-34000](#) [0008550134](#) [0009482033](#) [0009507031](#) [57102-F02-18ULF](#) [57102-S06-03LF](#) [57202-S52-04LF](#) [PCN6-15S-2.5E](#) [0039019024](#) [58102-G61-06LF](#) [582553-1](#) [0009485154](#) [0009508121](#) [0022285053](#) [0050291907](#) [018731A](#) [LY20-4P-DT1-P1E-BR](#) [02.125.8002.8](#) [60101931](#) [60598-1 \(Cut Strip\)](#) [M1625-3R/100](#) [61062-3](#) [61082-181009](#) [CSU011177004](#) [636-1427](#) [638009-1](#) [641938-9](#) [641991-4](#) [644168-1](#) [644827-2](#) [647662-1](#) [65039-019ELF](#) [65692-001LF](#) [65781-018](#) [65781-047](#)