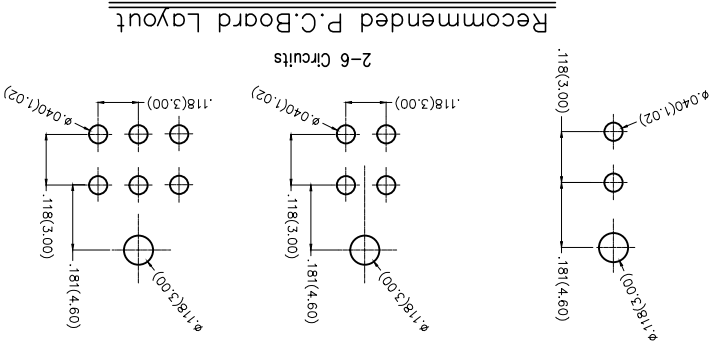
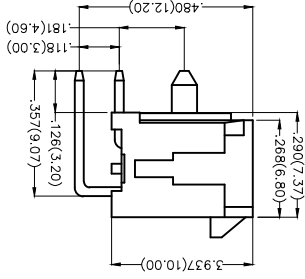
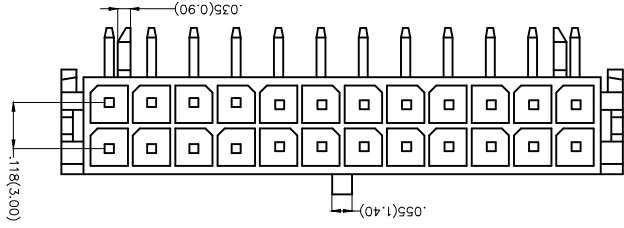
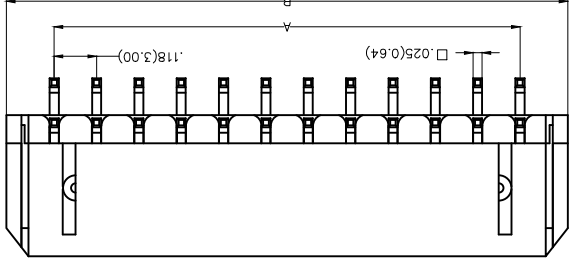
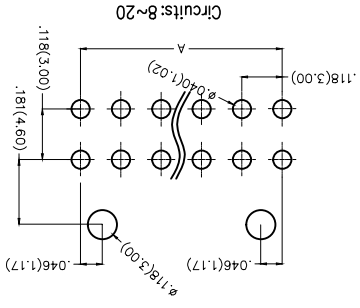


Recommended P.C.Board Layout



Ordering Information

FWF 300 02 - D XX B 2 / 2 K6 B
 1 / 2 3 / 00 02 - D XX B 2 / 2 K6 B
 3 / 00 02 - D XX B 2 / 2 K6 B
 4 / 02 XX B 2 / 2 K6 B
 5 / Circuits XX B 2 / 2 K6 B
 6 / Entry Angle B-90° Angle XX B 2 / 2 K6 B

1 | Category | FWF-Water

2 | Series Number | 300-Pitch3.0mm

3 | Distinction No. | 02

4 | Row Option | Double Row

5 | Circuits | XX

6 | Plating | 2-Tin Plated

7 | Material-Resin | 2-PA66

8 | Color-Resin | K6-Black

9 | Packaging | B-PE Bag

10 | Entry Angle | B-90° Angle

Electrical
 Current Rating: 5.0A AC(rms)/DC
 Voltage Rating: 250V AC(rms)/DC
 Contact Resistance: 10 mΩ Max
 Insulation Resistance: 1000 MΩ MIN
 Withstanding Voltage: 1500V AC r.m.s
 Temperature Range-Operating: -40°C~+105°C
 Material and Plating
 Housing: PA66 (UL 94V-0)
 Contact Pin: Brass
 Plating: Tin Plated

THIRD ANGLE PROJECTION

GENERAL TOLERANCES (UNLESS SPECIFIED)
 APPROVE BY FRANK
 DATE 01/JUL/13

CHECKED BY CHERRY
 DATE 01/JUL/13

DRAWN BY JACOB
 DATE 01/JUL/13

PART NO. FWF30002-DXXB22K6B
 ITEM NO. FWF30002

Leader Of Industry
TXGR

THIS DRAWING CONTAINS INFORMATION THAT IS PROPRIETARY TO TXGA INDUSTRIAL ELECTRONICS(Z)CO.,LTD AND SHOULD NOT BE USED WITHOUT WRITTEN PERMISSION

REV	LOCATIONS	DESCRIPTION	DATE	REVISER	APPD

X-ON Electronics

Largest Supplier of Electrical and Electronic Components

Click to view similar products for [Headers & Wire Housings](#) category:

Click to view products by [TXGA](#) manufacturer:

Other Similar products are found below :

[95000-104TRLF](#) [10135584-644402LF](#) [DF62W-EP2022PCA](#) [95000-106TRLF](#) [DF62W-2022SCA](#) [DF62W-EP2022PC](#) [2203348](#) [DF62W-2022SC](#) [1084018](#) [1029039](#) [1084017](#) [802-10-012-10-002000](#) [1112640](#) [1112639](#) [891-007-9SS-BST1T](#) [000-34000](#) [0008550134](#) [0009482033](#) [0009507031](#) [57102-F02-18ULF](#) [57102-S06-03LF](#) [57202-S52-04LF](#) [PCN6-15S-2.5E](#) [0039019024](#) [58102-G61-06LF](#) [582553-1](#) [0009485154](#) [0009508121](#) [0022285053](#) [0050291907](#) [018731A](#) [LY20-4P-DT1-P1E-BR](#) [02.125.8002.8](#) [60101931](#) [60598-1 \(Cut Strip\)](#) [M1625-3R/100](#) [61062-3](#) [61082-181009](#) [CSU011177004](#) [636-1427](#) [638009-1](#) [641938-9](#) [641991-4](#) [644168-1](#) [644827-2](#) [647662-1](#) [65039-019ELF](#) [65692-001LF](#) [65781-018](#) [65781-047](#)