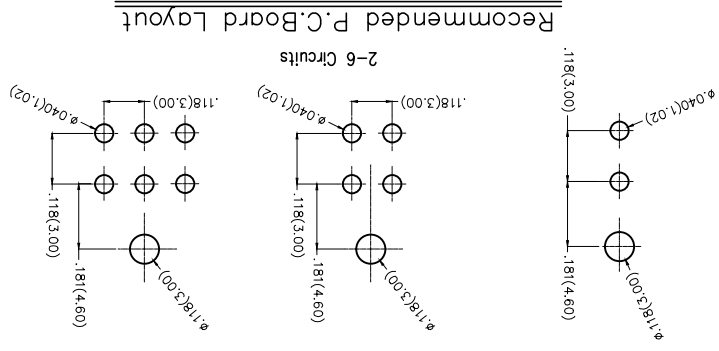
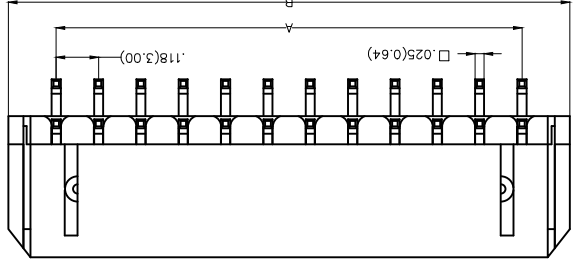
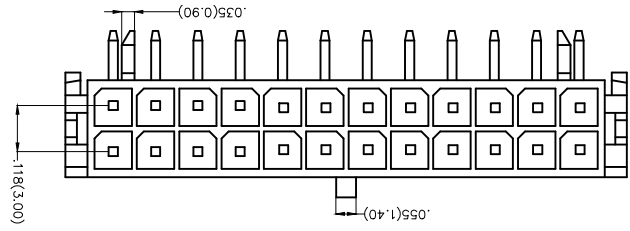
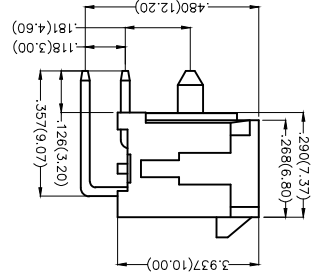


REV	LOCATIONS	DESCRIPTION	DATE	REVISER	APPD

Electrical
 Current Rating: 5.0A AC(rms)/DC
 Voltage Rating: 250V AC(rms)/DC
 Contact Resistance: 10 mΩ Max
 Insulation Resistance: 1000 MΩ MIN
 Withstanding Voltage: 1500V AC r.m.s
 Temperature Range—Operating: -40°C~+105°C
 Material and Plating
 Housing: PA66 (UL 94V-0)
 Contact Pin: Brass
 Plating: Tin Plated



Ordering Information

FWF 300 02 - D XX B 2 / 2 K6 B

1 FWF 300 02 - D XX B 2 / 2 K6 B

2 Series Number

3 Distinction No.

4 Row Option

5 Circuits

6 Entry Angle

1 Category

2 FWF—Water

7 Plating

8 2-Tin Plated

2 300—Pitch 3.0mm

3 02

4 Double Row

5 XX

6 B—90° Angle

3 Material—Resin

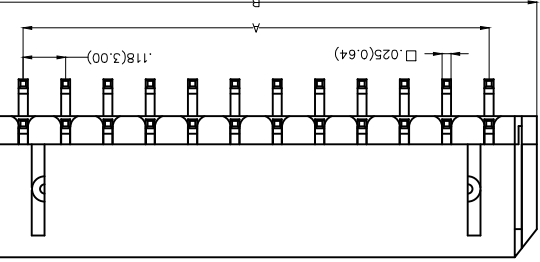
9 K6—Black

10 B—PE Bag

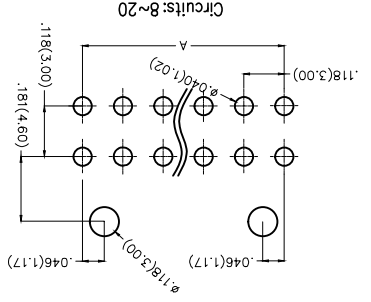
4 Row Option

5 Circuits

6 Entry Angle



Recommended P.C. Board Layout



THIRD ANGLE PROJECTION	DESIGN UNITS	X.XX±.008(0.20)	X.XX±.006(0.15)	X.XX±.004(0.10)	X.XX±.003(0.075)	JACOB	DATE	01/JUL/13	GENERAL TOLERANCES (UNLESS SPECIFIED)	APPROVE BY	FRANK	DATE	01/JUL/13	PART NO.	FWF30002-DXXB22K6B	ITEM NO.	FWF30002	TITLE	Wire to Board (Water)	Pitch 3.0mm 90° Angle (DIP)	REV 0	SHEET NO. 1/2	THIS DRAWING CONTAINS INFORMATION THAT IS PROPRIETARY TO TXGA INDUSTRIAL ELECTRONICS(Z)CO.,LTD AND SHOULD NOT BE USED WITHOUT WRITTEN PERMISSION
	SCALE	SIZE	A4	5:1	DATE	01/JUL/13	DRAWN BY	CHEERY		CHECKED BY	X.F.F	DATE	01/JUL/13		DATE		01/JUL/13		LEADER OF INDUSTRY				



Leader Of Industry

X-ON Electronics

Largest Supplier of Electrical and Electronic Components

Click to view similar products for [Headers & Wire Housings](#) category:

Click to view products by [TXGA](#) manufacturer:

Other Similar products are found below :

[95000-104TRLF](#) [10135584-644402LF](#) [DF62W-EP2022PCA](#) [95000-106TRLF](#) [DF62W-2022SCA](#) [DF62W-EP2022PC](#) [2203348](#) [DF62W-2022SC](#) [1084018](#) [1029039](#) [1084017](#) [802-10-012-10-002000](#) [1112640](#) [1112639](#) [891-007-9SS-BST1T](#) [000-34000](#) [0008550134](#) [0009482033](#) [0009507031](#) [57102-F02-18ULF](#) [57102-S06-03LF](#) [57202-S52-04LF](#) [PCN6-15S-2.5E](#) [0039019024](#) [58102-G61-06LF](#) [582553-1](#) [0009485154](#) [0009508121](#) [0022285053](#) [0050291907](#) [018731A](#) [LY20-4P-DT1-P1E-BR](#) [02.125.8002.8](#) [60101931](#) [60598-1 \(Cut Strip\)](#) [M1625-3R/100](#) [61062-3](#) [61082-181009](#) [CSU011177004](#) [636-1427](#) [638009-1](#) [641938-9](#) [641991-4](#) [644168-1](#) [644827-2](#) [647662-1](#) [65039-019ELF](#) [65692-001LF](#) [65781-018](#) [65781-047](#)