

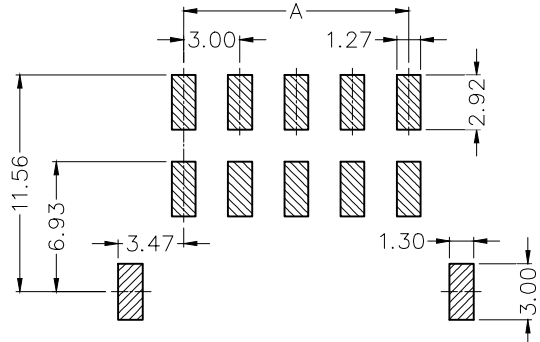
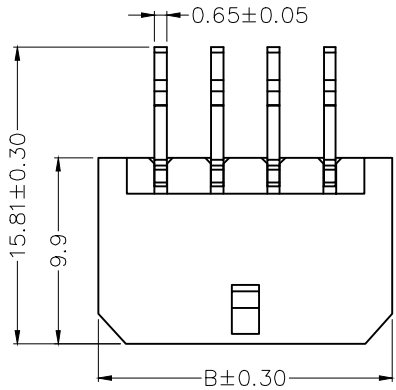
1 2 3 4 5 6 7 8

REV	LOCATIONS	DESCRIPTION	DATE	REVISER	APPD

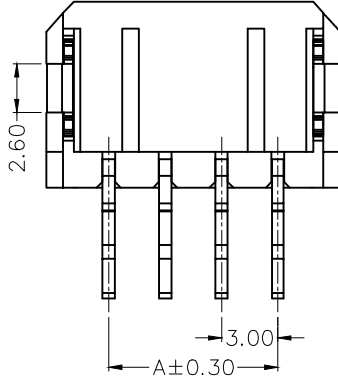
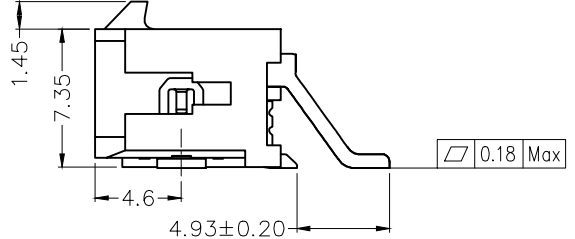
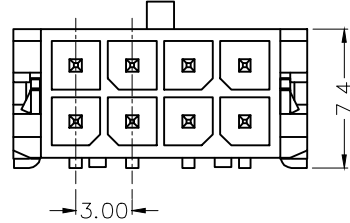
SPECIFICATIONS

Electrical
 Current Rating: 5.0A AC(rms)/DC
 Voltage Rating: 250V AC(rms)/DC
 Contact Resistance: 10 mΩ Max
 Insulation Resistance: 1000 MΩ Min
 Withstanding Voltage: 1500V AC r.m.s
 Temperature Range-Operating: -40°C~+105°C

Material and Plating
 Housing: PA9T (UL 94V-0), Natural
 Contact: Brass, Tin plated
 Solder tab: Brass, Tin plated



Recommended P.C.Board Layout
 Tolerances: ±0.05



Ordering Information

FWF 300 24 — D XX B 2 3 BK M
 1 2 3 4 5 6 7 8 9 10

1 Category FWF-Wafer	2 Series Number 300-Pitch3.00mm	3 Distinction No. 24	4 Row Option D-Double row	5 Circuits XX
6 Entry Angle B-90° Angle	7 Plating 2-Tin Plated	8 Material-Resin 3-LCP	9 Color-Resin BK-Black	10 Packaging M-Reel

<p>THIRD ANGLE PROJECTION</p>	GENERAL TOLERANCES (UNLESS SPECIFIED) X. ±0.30 X.* ±5' X.X ±0.20 X.X* ±2' X.XX ±0.15 X.XX* ±1' X.XXX ±0.10 X.XXX* ±0.5'		APPROVE BY FRANK	DATE 29/JUL/20	PART NO. FWF30024-DXXB23BKM	ITEM NO. FWF30024	<p>Leader Of Industry</p>	
	DESIGN UNITS Metric	SCALE 5:1	SIZE A4	CHECKED BY CHERRY	DATE 29/JUL/20	TITLE Wire to Board (Wafer) Pitch 3mm 90° Angle (SMT)		REV 0
THIS DRAWING CONTAINS INFORMATION THAT IS PROPRIETARY TO TXGA INDUSTRIAL ELECTRONICS(S.Z)CO.,LTD AND SHOULD NOT BE USED WITHOUT WRITTEN PERMISSION								

1 2 3 4 5 6 7 8

1 2 3 4 5 6 7 8

REV	LOCATIONS	DESCRIPTION	DATE	REVISER	APPD

A

B

C

D

E

F

A

B



C

D

E

F

Circuits (n)	Part No.	Dimensions(in/mm)	
		A	B
2	FWF30024-D02B23BKM	-	6.65
4	FWF30024-D04B23BKM	3.00	9.65
6	FWF30024-D06B23BKM	6.00	12.65
8	FWF30024-D08B23BKM	9.00	15.65
10	FWF30024-D10B23BKM	12.00	18.65
12	FWF30024-D12B23BKM	15.00	21.65
14	FWF30024-D14B23BKM	18.00	24.65
16	FWF30024-D16B23BKM	21.00	27.65
18	FWF30024-D18B23BKM	24.00	30.65
20	FWF30024-D20B23BKM	27.00	33.65
22	FWF30024-D22B23BKM	30.00	36.65
24	FWF30024-D24B23BKM	33.00	39.65

 THIRD ANGLE PROJECTION	GENERAL TOLERANCES (UNLESS SPECIFIED)		APPROVE BY FRANK	DATE 29/JUL/20	PART NO. FWF30024-DXXB23BKM	ITEM NO. FWF30024	 Leader Of Industry	
	X. ±0.30	X.' ±5'	CHECKED BY CHERRY	DATE 29/JUL/20	TITLE Wire to Board (Wafer) Pitch 3mm 90° Angle (SMT)			REV 0
	DESIGN UNITS Metric	X.X ±0.20	X.X' ±2'	DRAWN BY KATE	DATE 29/JUL/20	THIS DRAWING CONTAINS INFORMATION THAT IS PROPRIETARY TO TXGA INDUSTRIAL ELECTRONICS(S.Z)CO.,LTD AND SHOULD NOT BE USED WITHOUT WRITTEN PERMISSION		

1 2 3 4 5 6 7 8

X-ON Electronics

Largest Supplier of Electrical and Electronic Components

Click to view similar products for [Headers & Wire Housings](#) category:

Click to view products by [TXGA](#) manufacturer:

Other Similar products are found below :

[0015917161](#) [0022155065](#) [57102-F02-18ULF](#) [58102-G61-06LF](#) [582553-1](#) [01.001.5753.1](#) [0050291907](#) [02.125.8002.8](#) [609-3404](#) [61062-3](#)
[CSU011177004](#) [622-0430](#) [622-3653LF](#) [63453-116](#) [636-1030](#) [636-1427](#) [636-3427](#) [636-4007](#) [641938-9](#) [65495-038](#) [65692-001LF](#) [65781-018](#)
[65781-047](#) [65817-010LF](#) [65817-015LF](#) [67095-007LF](#) [67601157](#) [68631-112](#) [68645-018](#) [699319-000](#) [70.362.1628.0](#) [70-4210](#) [70-4226B](#) [70-](#)
[4853B](#) [71.350.2428.0](#) [733-134](#) [733-162](#) [760-3052](#) [MHR-64-VUAL](#) [80.063.4001.1](#) [800-90-001-10-001000](#) [801-43-002-10-013000](#)
[801-43-006-10-002000](#) [803-43-024-10-001000](#) [803-93-012-10-001000](#) [8-1437020-4](#) [819-22-004-30-001101](#) [820-22-006-30-001101](#)
[820-22-008-30-001101](#) [821-22-002-10-001101](#)