

1	REV	LOCATIONS	DESCRIPTION	DATE	REVERSE	APPD
1			Dimension: Change 12.95 into 13.00±0.25mm	26/SEP/18	KATE	FRANK

Electrical

Current Rating: 7A AC(rms)/DC
Voltage Rating: 600V AC(rms)/DC
Contact Resistance: 10 mΩ Max
Insulation Resistance: 1000 MΩ MIN
Withstanding Voltage: 1500V AC r.m.s
Temperature Range—Operating: -40°C~+105°C
Material and Plating
Housing: PA66 (UL 94V-0)
Contact Pin: Phosphor Bronze
Plating: Tin Plated

Circuits (n)	Part No.	Dimensions(in/mm)	
		A	B
2	FWF42001-D02S22XK	.213(5.40)	—
4	FWF42001-D04S22XK	.379(9.60)	.165(4.20)
6	FWF42001-D06S22XK	.543(13.80)	.331(8.40)
8	FWF42001-D08S22XK	.496(12.60)	.496(12.60)
10	FWF42001-D10S22XK	.661(16.80)	.874(22.20)
12	FWF42001-D12S22XK	.827(21.00)	1.039(26.40)
14	FWF42001-D14S22XK	.992(25.20)	1.205(30.60)
16	FWF42001-D16S22XK	1.157(29.40)	1.370(34.80)
18	FWF42001-D18S22XK	1.323(33.60)	1.535(39.00)
20	FWF42001-D20S22XK	1.488(37.80)	1.700(43.20)
22	FWF42001-D22S22XK	1.654(42.00)	1.866(47.40)
24	FWF42001-D24S22XK	1.819(46.20)	2.031(51.60)

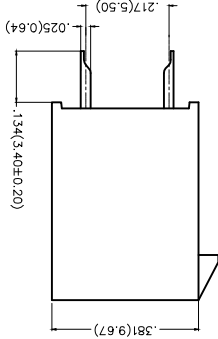
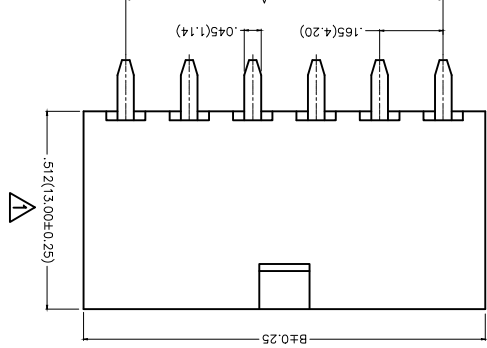
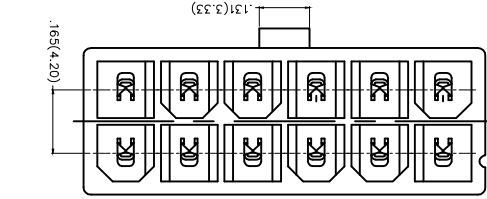
Ordering Information

FWF 4200 01 - D XX S 2 2 X K
1 2 3 4 5 6 7 8 9 10

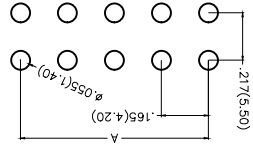
- 1 Category
- 2 Series Number
- 3 Distinction No.
- 4 Row Option
- 5 Circuits
- 6 Entry Angle
- 7 Plating
- 8 Material-Resin
- 9 Color-Resin
- 10 Packaging



THIRD ANGLE	DESIGN UNITS	SCALE	5:1
(UNLESS SPECIFIED)	X.±.012(0.30)	A4	X.XXX±.004(0.10)
APPROVE BY	DATE	DRAWN BY	DATE
FRANK	28/JUN/13	JACOB	28/JUN/13
CHECKED BY	DATE	CHERRY	28/JUN/13
GENERAL TOLERANCES	THIS DRAWING CONTAINS INFORMATION THAT IS PROPRIETARY TO TXGA INDUSTRIAL ELECTRONICS(SZ)CO.,LTD AND SHOULD NOT BE USED WITHOUT WRITTEN PERMISSION		



Recommended P.C.Board Layout



X-ON Electronics

Largest Supplier of Electrical and Electronic Components

Click to view similar products for [Headers & Wire Housings](#) category:

Click to view products by [TXGA](#) manufacturer:

Other Similar products are found below :

[95000-104TRLF](#) [10135584-644402LF](#) [DF62W-EP2022PCA](#) [95000-106TRLF](#) [DF62W-2022SCA](#) [DF62W-EP2022PC](#) [2203348](#) [DF62W-2022SC](#) [1084018](#) [1029039](#) [1084017](#) [802-10-012-10-002000](#) [1112640](#) [1112639](#) [891-007-9SS-BST1T](#) [000-34000](#) [0008550134](#) [0009482033](#) [0009507031](#) [57102-F02-18ULF](#) [57102-S06-03LF](#) [57202-S52-04LF](#) [PCN6-15S-2.5E](#) [0039019024](#) [58102-G61-06LF](#) [582553-1](#) [0009485154](#) [0009508121](#) [0022285053](#) [0050291907](#) [018731A](#) [LY20-4P-DT1-P1E-BR](#) [02.125.8002.8](#) [60101931](#) [60598-1 \(Cut Strip\)](#) [M1625-3R/100](#) [61062-3](#) [61082-181009](#) [CSU011177004](#) [636-1427](#) [638009-1](#) [641938-9](#) [641991-4](#) [644168-1](#) [644827-2](#) [647662-1](#) [65039-019ELF](#) [65692-001LF](#) [65781-018](#) [65781-047](#)