



Document No.: S-E07

**TY-OHM ELECTRONIC WORKS CO.,LTD.**

**METAL OXIDE FILM RESISTORS, FLAMEPROOF  
RESISTOR SPECIFICATION**

**Version : 2020.A**

**APPROVED BY**

<b>APPROVED BY</b>

<b>APPROVED</b>	<b>REVIEWED</b>	<b>PREPARED</b>
<i>Jack Lo</i> Dec 2, 2020	<i>Aaron Chen</i> Dec 2, 2020	<i>Rob Lo</i> Dec 2, 2020

**Unauthorized duplication is prohibited**

# METAL OXIDE FILM RESISTORS, FLAMEPROOF

## 1. Applicable Scope:

This standard specification is for use in consumer electronics, computers, telecommunications, control instruments...etc.

## 2. Part Number:

It is composed by Type, Rated Wattage, Nominal Resistance, Tolerance and Package/Terminal Form . e.g.

RSS    2W    10R    J    T/B  
Type    Rated Wattage    Nominal Resistance    Tolerance    Package/Terminal Form

### 2.1 Type :

Metal Oxide Film Resistors, Flameproof are called "RSN" & "RSS"(small size).

### 2.2 Rated Wattage:

Shown by "W", such as 1/4W, 1/2W, 1W, 2W, 3W, 3WL, 4W, 5W, 6W, 7W, 10W.

### 2.3 Nominal Resistance:

$\Omega$  ,  $K\Omega$  are its unit, which be in accordance with JIS-C6409 article 6 (EIA RS-196A) series.

Letter "10R" indicates resistance value  $10\Omega$ .

### 2.4 Tolerance:

It is measured by Bridge-method at room temperature and expressed by a capital letter.

G =  $\pm 2\%$  , J =  $\pm 5\%$  .

### 2.5 Package/Terminal Form:

T/R = tape & reel ; T/B = tape in box; Nil = Bulk; MG form, F forms.

T52 = 52 mm width special tape in box; R52 = 52 mm width special tape & reel.

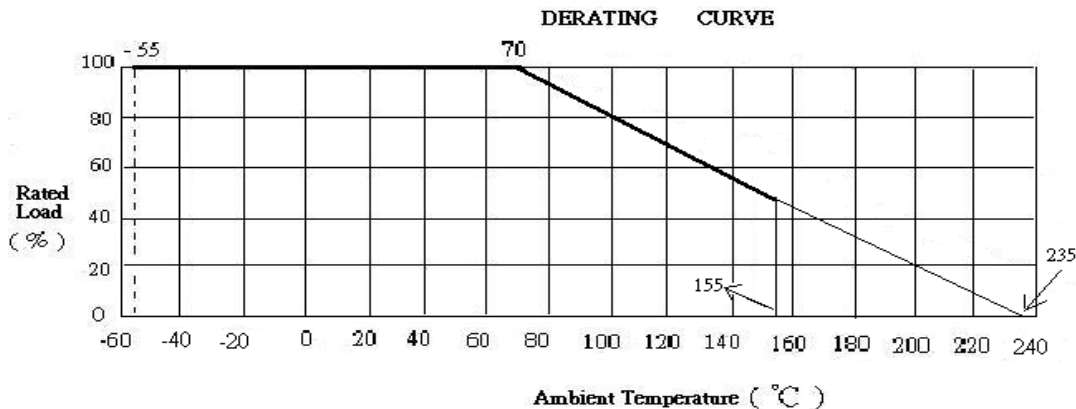
T76 = 76 mm width special tape in box; R76 = 76 mm width special tape & reel.

Letter "PA" indicates radial type lead tapping; Letter "PM" indicates radial type lead tapping.

Remark :RSN & RSS Series Resistors are RoHS & Halogen Free Compliant.

## 3. Rated Power:

Rated power is the value of Max load power specified at the ambient temperature of  $70^{\circ}\text{C}$ , and shall meet the functions of electrical and mechanical performance. When the ambient temperature surpasses above mentioned temperature, the value declines as per following DERATING CURVE.



# METAL OXIDE FILM RESISTORS, FLAMEPROOF

## 3.1 Rated Voltage:

It is calculated through the following formula:

$$E = \sqrt{P * R}$$

where E: rated voltage (V)

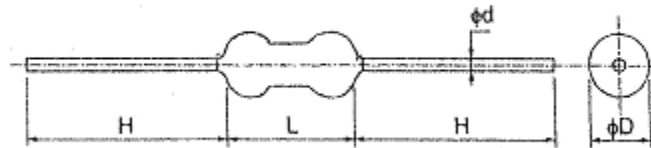
P: rated power (W)

R: nominal resistance value ( $\Omega$ )

However, in case the voltage calculated exceeds the maximum load voltage, such the maximum load voltage shall be regarded as its rated voltage, means whichever less.

## 4. Dimension and structure:

### 4.1 Dimension:



Unit: mm

TYPE		D $\pm$ 1	L $\pm$ 1	H $\pm$ 3	d $\pm$ 0.1	Resistance Range	Max Working Voltage	Max Overload Voltage
RSS	RSN							
1/2W	1/4W	2.6 $\pm$ 0.5	6.8	28	0.6	0.22 $\Omega$ ~33K $\Omega$	250V	400V
	1/2W	3	9	28	0.65	0.22 $\Omega$ ~33K $\Omega$	300V	400V
1W		3.5	9	28	0.65	0.22 $\Omega$ ~50K $\Omega$	350V	600V
2W	1W	4.5	11	28	0.8	0.22 $\Omega$ ~50K $\Omega$	350V	600V
3W	2W	5	15	28	0.8	0.22 $\Omega$ ~50K $\Omega$	350V	600V
5W	3WL	8.5	24	38	0.8	0.22 $\Omega$ ~100K $\Omega$	500V	800V
6W	4W	8.5	32	33	0.8	0.22 $\Omega$ ~150K $\Omega$	500V	800V
7W	5W	8.5	41	38	0.8	0.22 $\Omega$ ~200K $\Omega$	750V	1000V
10W	7W	8.5	53	38	0.8	0.22 $\Omega$ ~200K $\Omega$	800V	1500V

Notes:1. too low or too high ohmic values can be supplied only case by case.

2. if high resistance values are required, we suggest using RDN series.

3. 0.22 $\Omega$  ~9.1 $\Omega$  are using alloy film.

### 4.2 STRUCTURE:

#### 4.2.1 Ceramic Rod:

It is made of Forsterite imported.

#### 4.2.2 Terminal:

Terminal is to be firmly connected with resistors element, both electrically and mechanically, and allow easy soldering.

# METAL OXIDE FILM RESISTORS, FLAMEPROOF

---

## 4.2.3 Coating:

Coating is done by light gray flameproof paint for RSN type and dark gray flameproof for RSS (resistant to 800°C) which is solid enough to be free from looseness, crack and easy breakage. It is also resistant to cleaning and industrial solvents, and the paint shall be limited within 2mm of lead wires from resistor body.

## 4.2.4 Marking:

Marking is made on resistors surface, by four color coding; 1st, 2nd, 3rd: nominal resistance, 4th: tolerance. or marked with type of resistor, rated wattage, nominal resistance, tolerance and maker's trade mark (TY-OHM).

## 5. Operating Temperature Range: -55°C ~ 155°C

## 6. Mechanical Performance:

### 6.1 Terminal tensile:

To fix the resistor body, a static load of 2.5kg. (under 1/2W:1kg.) is to be gradually applied into the terminal for 10 seconds without causing any looseness and fall.

### 6.2 Twist withstand:

To bend the lead wire at the point of about 6mm from resistor body to 90°, then catch the wire at 1.2 ±0.4mm apart from the bent point end and turn it (clockwise) by 360 degrees perpendicular to the resistor axis at speed of 5 seconds per turn, and do the same counterclockwise again which constitute a whole turn. Repeat the turn 2 times without causing any break and looseness.

## 7. Electrical Performance:

### 7.1 Resistance Temperature Coefficient:

It shall be within ±300ppm/°C.

$$T.C \text{ (ppm/°C)} = \left[ \frac{R2 - R1}{R1} \right] \times \left[ \frac{1}{T2 - T1} \right] \times 10^6$$

where R1: resistance value at reference temperature

R2: resistance value at test temp.

T1: reference temp.

T2: test temp.

### 7.2 Temperature Cycle:

Following temp. cycles are to be made 5 times and then put at room temp. for one hour, the resistance value change rate between pre-and-post test shall be within ±1%

Steps	Temperature(°C)	Time (minutes)
1 <sup>st</sup> step	-55 ± 3	30
2 <sup>nd</sup> step	Room temp.	3
3 <sup>rd</sup> step	155 ± 3	30
4 <sup>th</sup> step	Room temp.	3

# METAL OXIDE FILM RESISTORS, FLAMEPROOF

---

## 7.3 Short Time Over Load:

When the resistors are applied 2.5 times as much as rated voltage for 5 seconds continuously, it shows no evidence of arc, flame...etc. Removing the voltage and place the resistors to the normal condition for 30 minutes, the resistance value change rate between pre-and-post test shall be within  $\pm 1\%$  (RSS =  $\pm 2\%$ ).

## 7.4 Insulation Character :

Resistors are located in a V-shaped metal trough. Using the DC 100V or 500V megger instrument 2 poles to clutch either side of lead wires and metal trough, measuring the Insulation Resistance which shall be over  $1000M\Omega$ .

## 7.5 Voltage Withstanding:

Resistors are located in a V-shaped metal trough. Applying Max Working Voltage for one minute and should find no physical damage to the resistors, such as arc, char ...etc.

## 7.6 Load Life:

The resistors arrayed are sent into the  $70^{\circ}\text{C}$  oven, applying rated voltage at the cycle of 1.5 hours ON, 0.5 hour OFF for  $1000_{-0}^{+48}$  hours in total. Then, after removing the voltage, take the resistors out of the oven and left under normal temp. for one hour cooling. The resistance value change rate between pre-and-post test shall be within  $\pm 5\%$ .

## 7.7 Moisture-proof Load Life:

The resistors arrayed are placed into a constant temp./humidity oven at the temp. of  $40 \pm 2^{\circ}\text{C}$  and the humidity of 90~95%, then rated power is applied for 1.5 hours and cut off for 0.5 hour. The similar cycle will be repeated for  $500_{-0}^{+24}$  hours in total (including cut-off time). Then remove the voltage, taking the resistors out of the oven and leaving them at room temp. for one hour. The resistance value change rate between pre-and-post test shall be within  $\pm 5\%$ . There also shall be no evidence of remarkable change on appearance, and the marking shall not be illegible.

## 7.8 Solder-ability:

The leads with flux are dipped in a melted solder of  $235 \pm 5^{\circ}\text{C}$  for 2 seconds, more than 95% of the circumference of the lead wires shall be covered with solder.

## 7.9 Resistance to Soldering Heat:

Two leads are together dipped in a melted solder of  $270 \pm 5^{\circ}\text{C}$  for  $10 \pm 1$  seconds, or  $350 \pm 10^{\circ}\text{C}$  for  $3.5 \pm 0.5$  seconds, Then remove the resistors and leaving them at room temp. for one hour. The resistance value change rate between pre-and-post test shall be within  $\pm 1\%$ .

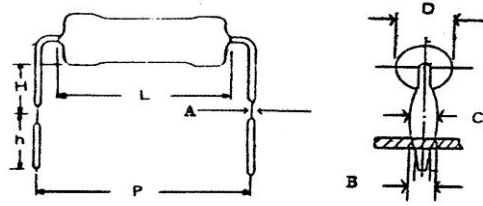
## 7.10 Nonflammability:

The resistors are applied the power of 16 times the rated wattage for 5 min. and shall not get flame.

# METAL OXIDE FILM RESISTORS, FLAMEPROOF

## 8. Others:

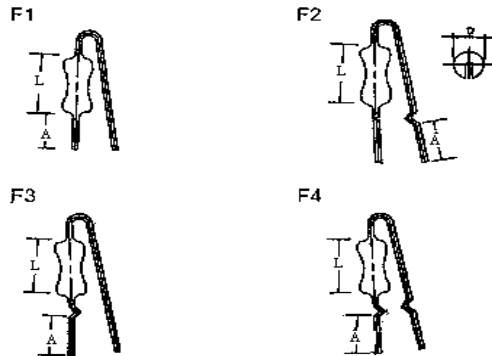
### 8.1 MG Form:



Unit: mm

RSS	RSN	D±1	L±1	P	H	h±1	A±0.1	B±0.05	C±0.2
	1/2W	3	9	12.5±1.5	7±1	4.5	0.23	0.8	1.2
1W		3.5	9	15±1.5	7±1	4.5	0.23	0.8	1.2
2W	1W	4.5	11	15±1.5	7±1	4.5	0.25	1	1.4
3W	2W	5	15	20±2	10±2	4.5	0.25	1	1.4

### 8.2 F Form:



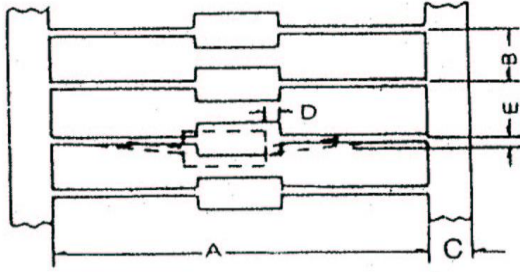
Unit: mm

RSS	RSN	D±1	L±1	A +1/-0.5	Applicable
1W		3.5	9	3.5	F1~F4
2W	1W	4.5	11	3.5	F1~F4
3W	2W	5	15	3.5	F1~F4

# METAL OXIDE FILM RESISTORS, FLAMEPROOF

## 8.3 Packing:

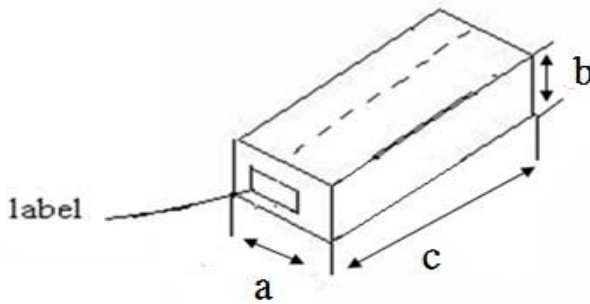
### 8.3.1 Taping Specifications :



Unit: mm

RSS	RSN	Package	A	B	C ± 1	D Max	E Max
≤1W	≤1/2W	T/B, T/R	52 ± 1	5 ± 0.5	6	0.6	1.2
2W	1W	T52, R52	52 ± 1	5 ± 0.5	6	0.6	1.2
		T/B, T/R	63 ± 1	5 ± 0.5	6	0.6	1.2
3W	2W	T/B, T/R	63 ± 1	10 ± 1	6	0.6	1.2
		T52, R52	52 ± 1	10 ± 1	6	0.6	1.2
		T76, R76	76 ± 1.5	10 ± 1	6	0.6	1.2

### 8.3.2 Tape in Box:

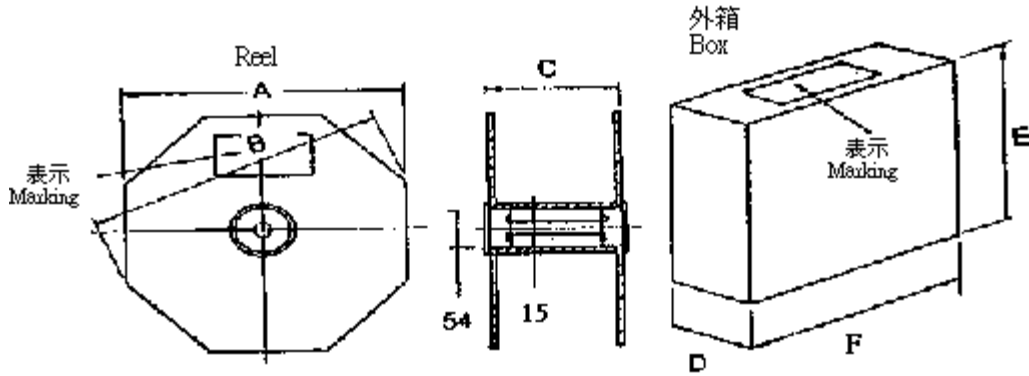


Unit: mm

RSS	RSN	Type	QTY PER BOX	a	b	c
1/2W	1/4W	T/B	5,000	75	100	255
	1/2W	T/B	1,000	75	55	255
1W		T/B	1,000	75	55	255
2W	1W	T52	1,000	75	55	255
		T/B	1,000	85	105	260
3W	2W	T/B	1,000	100	110	265
		T52	1,000	75	100	255
		T76	1,000	105	114	265

# METAL OXIDE FILM RESISTORS, FLAMEPROOF

## 8.3.3 Tape & Reel:



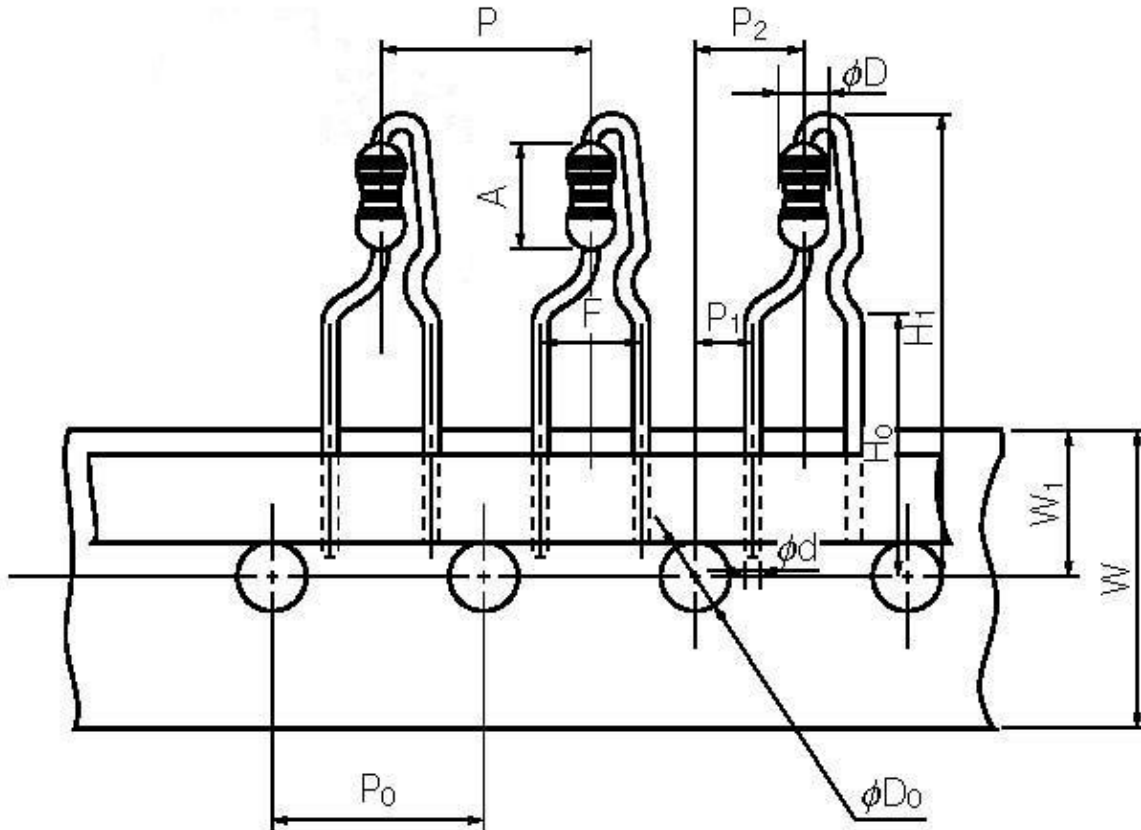
Unit: mm

RSS	RSN	Type	QTY PER REEL	A	B	C	D	E	F
1/2W	1/4W	T/R	5,000	285	310	75	80	295	295
	1/2W	T/R	5,000	305	330	75	90	310	310
1W		T/R	2,500	285	310	75	80	295	295
2W	1W	R52	2,000	285	310	75	80	295	295
		T/R	2,000	285	310	75	80	295	295
3W	2W	T/R	1,000	285	310	75	80	295	295
		R52	1,000	285	310	75	80	295	295
		R76	1,000	285	310	90	105	295	295



# METAL OXIDE FILM RESISTORS, FLAMEPROOF

## 8.3.4 Radial type lead tapping(PA):

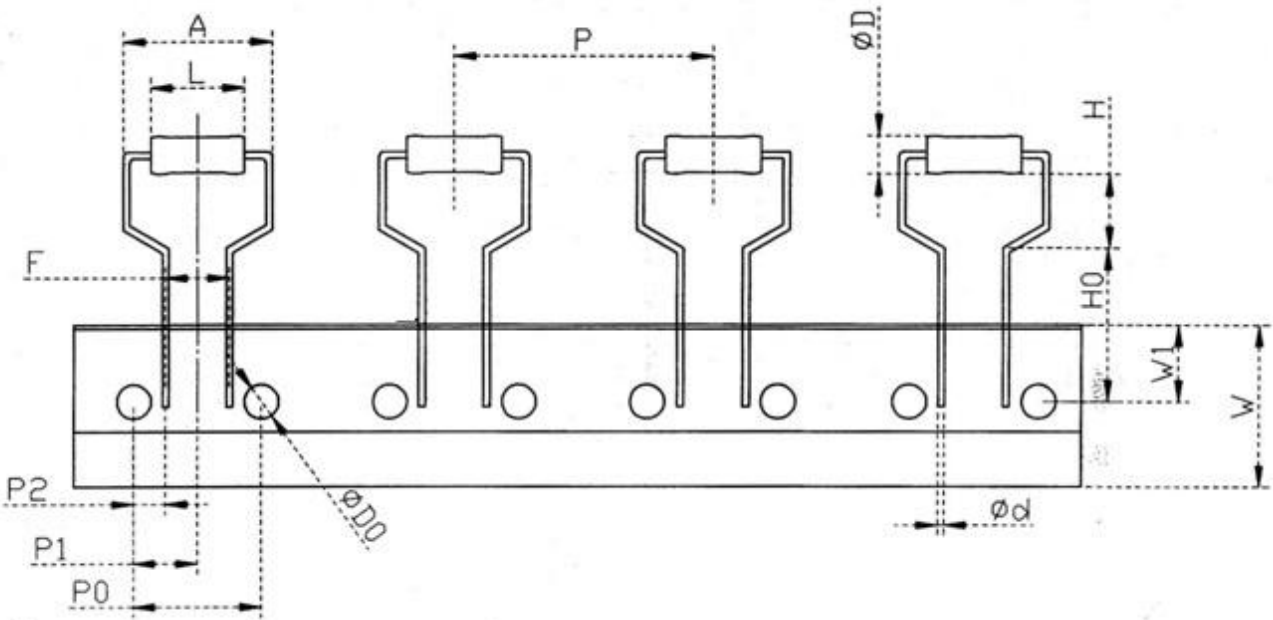


Unit: mm

RSS	RSN	P ±1	P <sub>0</sub> ±0.3	P <sub>1</sub> ±0.7	P <sub>2</sub> ±1	F ±0.8	W ±0.5	W <sub>1</sub> ±0.5	H <sub>1</sub> max	H <sub>0</sub> ±0.5	φ D <sub>0</sub> ±0.2	A ±1	φ d ±0.1	φ D ±1
1/2W	1/4W	12.7	12.7	3.85	6.35	5	18	9	32	16	4	6.8	0.6	2.6±0.5
1W		12.7	12.7	3.85	6.35	5	18	9	32	16	4	9	0.65	3.5
2W	1W	12.7	12.7	3.85	6.35	5	18	9	38	16	4	11	0.8	4.5
3W	2W	12.7	12.7	3.85	6.35	5	18	9	38	16	4	15	0.8	5

# METAL OXIDE FILM RESISTORS, FLAMEPROOF

## 8.3.5 Radial type lead tapping(PM):



Unit: mm

RSS	RSN	F +0.8/-0.2	P $\pm 1$	P0 $\pm 0.3$	P1 $\pm 1$	P2 $\pm 0.8$	H +1/-0	H0 $\pm 0.7$	A max.	W $\pm 0.5$	W1 $\pm 0.5$	$\phi D$ $\pm 1$	$\phi D0$ $\pm 0.2$	$\phi d$ $\pm 0.1$	L $\pm 1$
1W		7.5	30	15	7.5	3.75	6.5	19	14.5	18	9	3.5	4	0.65	9
2W	1W	7.5	30	15	7.5	3.75	7.5	19	17.5	18	9	4.5	4	0.8	11
3W	2W	7.5	30	15	7.5	3.75	8.5	19	21	18	9	5	4	0.8	15

## X-ON Electronics

Largest Supplier of Electrical and Electronic Components

*Click to view similar products for [Thick Film Resistors - Through Hole](#) category:*

*Click to view products by [Tyohm](#) manufacturer:*

Other Similar products are found below :

[M8340104K3300GCD03](#) [M8340105K3300GGD03](#) [M8340105K3922FGD03](#) [M8340107K2401GCD03](#) [M8340109K1002JCD03](#)

[M8340109K1003GCD03](#) [MP850-3.00-1%](#) [ARC3.11 2M J A](#) [M8340105K1003GCD03](#) [M8340105M2201GCD03](#) [M8340107M7501GCD03](#)

[M8340108K2051FCD03](#) [M8340108K7501GCD03](#) [M8340108M5100JGD03](#) [M8340109K1000GCD03](#) [MOX-GRD-001](#)

[M8340102M4701GBD04](#) [M8340102K1002GBD04](#) [M8340109K2002GGD03](#) [M8340108K2002FGD03](#) [OE1305](#) [MS-221-82R5](#) [MOX-](#)

[750231004DE](#) [MOX-4-127505J](#) [SM102034504FE](#) [MOX300002206FE](#) [MOX-400233004F](#) [MOX300001005BE](#) [SM104066008J](#) [MOX-](#)

[400262008PE](#) [MOX-400232506FE](#) [MOX-400234007FE](#) [MOX-400221006G](#) [MOX-750235006ME](#) [SM103032506FE](#) [SM202022005FE](#)

[MOX1125231002FE](#) [MOX-1-122504F](#) [MOX-400225003F](#) [MOX1125731008FE](#) [MOX-5-126002JE](#) [MS176-2.20M-1%](#) [MOX-830212453BE](#)

[TRHE01A270RJ2E](#) [TRHE01A560RJ2E](#) [TRHP01A200RF2E](#) [TRHP01A5001F2E](#) [MG715-2.40M-1%](#) [MS214-20.0K-1%](#) [MF0W4FF4702A50](#)