

NEO-D9C-00B

QZSS correction service receiver

Professional grade

Data sheet



Abstract

This data sheet describes the NEO-D9C QZSS L6 receiver for CLAS and MADOCA. This NEO form factor module provides easy integration of QZSS augmentation services and enables GNSS receivers to reach cm-level accuracies.

Document information

Title	NEO-D9C-00B	
Subtitle	QZSS correction service receiver	
Document type	Data sheet	
Document number	UBX-17053092	
Revision and date	R12	29-Mar-2023
Disclosure restriction	C1-Public	

Product status	Corresponding content status	
Functional Sample	Draft	For functional testing. Revised and supplementary data will be published later.
In development / prototype	Objective specification	Target values. Revised and supplementary data will be published later.
Engineering sample	Advance information	Data based on early testing. Revised and supplementary data will be published later.
Initial production	Early production information	Data from product verification. Revised and supplementary data may be published later.
Mass production / End of life	Production information	Document contains the final product specification.

This document applies to the following products:

Product name	Type number	FW version	IN/PCN reference	Product status
NEO-D9C	NEO-D9C-00B-02	QZS 1.01	UBX-22003112 UBX-22039049 UBX-23000084	Mass production

u-blox or third parties may hold intellectual property rights in the products, names, logos and designs included in this document. Copying, reproduction, or modification of this document or any part thereof is only permitted with the express written permission of u-blox. Disclosure to third parties is permitted for clearly public documents only.

The information contained herein is provided "as is" and u-blox assumes no liability for its use. No warranty, either express or implied, is given, including but not limited to, with respect to the accuracy, correctness, reliability and fitness for a particular purpose of the information. This document may be revised by u-blox at any time without notice. For the most recent documents, visit www.u-blox.com.

Copyright © 2023, u-blox AG.

Contents

1 Functional description.....	4
1.1 Overview.....	4
1.2 Performance.....	4
1.3 Supported GNSS augmentation systems.....	4
1.3.1 Quasi-Zenith Satellite System (QZSS).....	4
1.4 Supported protocols.....	5
2 System description.....	6
2.1 Block diagram.....	6
3 Pin definition.....	7
3.1 Pin assignment.....	7
4 Electrical specification.....	9
4.1 Absolute maximum ratings.....	9
4.2 Operating conditions.....	9
4.3 Indicative power requirements.....	10
5 Communications interfaces.....	11
5.1 UART.....	11
5.2 SPI.....	11
5.3 I2C.....	12
5.4 USB.....	14
5.5 Default interface settings.....	14
6 Mechanical specification.....	15
7 Reliability tests.....	17
8 Labeling and ordering information.....	18
8.1 Product labeling.....	18
8.2 Explanation of product codes.....	18
8.3 Ordering codes.....	18
Related documents.....	19
Revision history.....	20

1 Functional description

1.1 Overview

NEO-D9C-00B is a QZSS L6 receiver that brings QZSS Centimeter Level Augmentation Service (CLAS) support to u-blox GNSS modules, enabling centimeter-level navigation. The receiver can also track the experimental MADOCA service transmitted on the QZSS L6 signal.

When combined with other u-blox products, the NEO-D9C-00B can be used to build a complete and stand-alone high precision system providing users with access to free high accuracy correction services and ultimately centimeter-level GNSS accuracy.

1.2 Performance

Parameter	Specification
Receiver type	u-blox D9 engine QZSS L2C and L6 receiver
QZSS L2C and L6	
Specification	
Time to first frame ¹	Hot start 3 s, Cold start 18 s
Decoding sensitivity ²	90% frame rate at -136 dBm
Acquisition sensitivity ³	Hot start: -154 dBm, Cold start: -137 dBm
Specification compliance	PS-QZSS-001
Number of concurrent L6 reception channels	2
Frequency range	1227.60 MHz +/- 5 MHz and 1278.75 MHz +/- 5 MHz
Communication interface	UART/USB/I2C/SPI
Communication speed	Up to 921600 baud UART, USB 2.0, SPI 125 kB/s, I2C 400 kbit/s
Vehicle dynamics	Dynamics ≤ 4 g
	Velocity 500 m/s

Table 1: u-blox NEO-D9C-00B performance

1.3 Supported GNSS augmentation systems

1.3.1 Quasi-Zenith Satellite System (QZSS)

The Quasi-Zenith Satellite System (QZSS) is a Japanese satellite positioning system. With satellites in quasi-zenith orbits, three satellites will be visible at all times from locations in the Asia-Oceania region. The QZSS correction stream is provided on the L6 band for free.

Signal	QZS1	QZS2/4	QZS3	Service	Frequency
Orbit	QZO	QZO	GEO		
L2C	Transmit	Transmit	Transmit	PNT	1227.60 MHz
L6	L6D	L6D/L6E	L6D/L6E	CLAS/MADOCA	1278.75 MHz

Table 2: QZSS satellites and signals

¹ With ZED-F9P aiding messages provided, open sky conditions from QZS-1

² Power with respect to single component L6D/L6E using a 20-25 dB external LNA

³ Success rate of acquiring at least one L2 QZSS signal > 95% using constellation of 4 visible QZSS satellites using a 20-25 dB external LNA



QZS1 only transmits the CLAS L6D message, while QZS2, QZS3 and QZS4 transmit both CLAS L6D and MADOCA L6E messages.

1.4 Supported protocols

The NEO-D9C-00B supports the following protocols:

Protocol	Type
UBX	Input/output, binary, u-blox proprietary

Table 3: Supported protocols

For specification of the protocols, see the Interface description [\[2\]](#).

2 System description

2.1 Block diagram

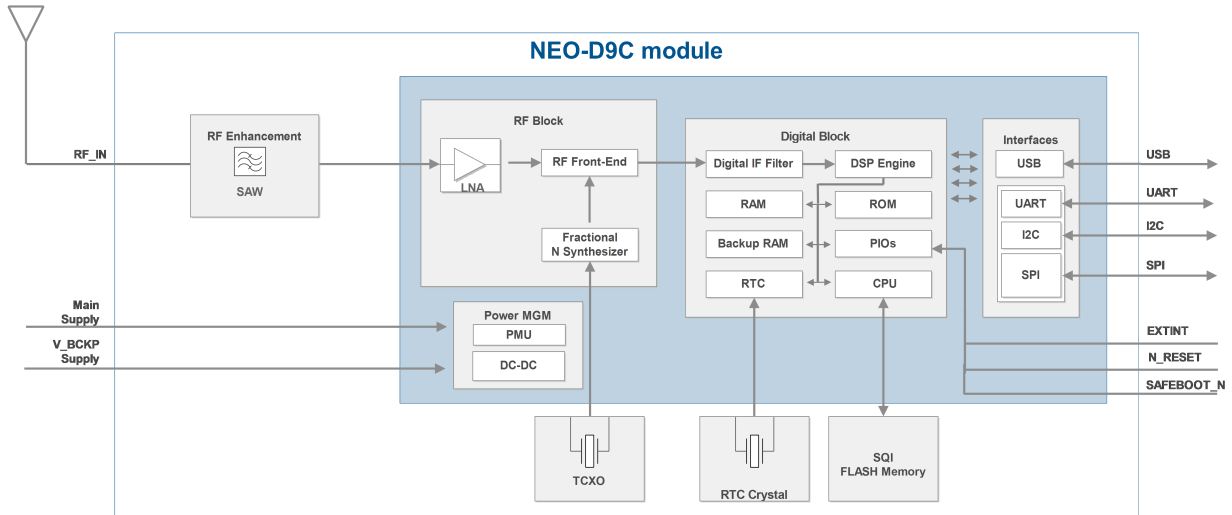



Figure 1: NEO-D9C-00B block diagram

An active antenna is mandatory with the NEO-D9C-00B.

3 Pin definition

3.1 Pin assignment

The pin assignment of the NEO-D9C-00B module is shown in [Figure 2](#). The defined configuration of the PIOs is listed in [Table 4](#).

 V_BCKP functionality (pin 22: Reserved), ANT_OFF, ANT_DETECT, ANT_SHORT_N are not available.

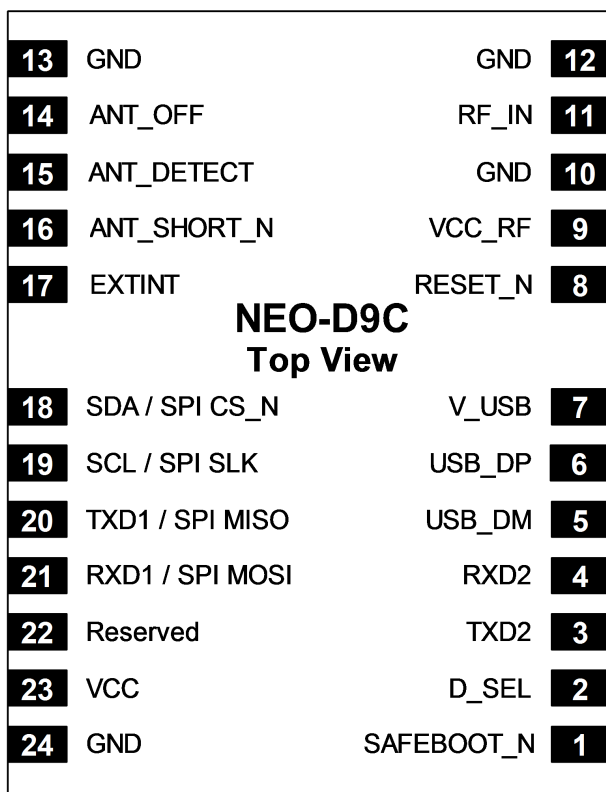


Figure 2: NEO-D9C-00B pin assignment

Pin no.	Name	I/O	Description
1	SAFEBOOT_N	I	SAFEBOOT_N (used for FW updates and reconfiguration, leave open)
2	D_SEL	I	UART 1 / SPI select. (open or high = UART 1)
3	TXD2	O	UART 2 TXD
4	RXD2	I	UART 2 RXD
5	USB_DM	I/O	USB data (DM)
6	USB_DP	I/O	USB data (DP)
7	V_USB	I	USB supply
8	RESET_N	I	RESET (active low)
9	VCC_RF	O	External LNA power
10	GND	I	Ground
11	RF_IN	I	Active antenna L2/L6 band signal input
12	GND	I	Ground

Pin no.	Name	I/O	Description
13	GND	I	Ground
14	ANT_OFF	O	External LNA disable - default active high
15	ANT_DETECT	I	Active antenna detect - default active high
16	ANT_SHORT_N	O	Active antenna short detect - default active low
17	EXTINT	I	External interrupt pin
18	SDA / SPI CS_N	I/O	I2C data if D_SEL = VCC (or open); SPI chip select if D_SEL = GND
19	SCL / SPI SLK	I/O	I2C clock if D_SEL = VCC (or open); SPI clock if D_SEL = GND
20	TXD / SPI MISO	O	UART1 output if D_SEL = VCC (or open); SPI MISO if D_SEL = GND
21	RXD / SPI MOSI	I	UART1 input if D_SEL = VCC (or open); SPI MOSI if D_SEL = GND
22	Reserved	-	No connection
23	VCC	I	Supply voltage
24	GND	I	Ground

Table 4: NEO-D9C-00B pin assignment



For detailed information on the pin functions and characteristics see the integration manual [1].

4 Electrical specification

The limiting values given are in accordance with the Absolute Maximum Rating System (IEC 134).



CAUTION Operating the device above one or more of the limiting values may cause permanent damage to the device. The values provided in this chapter are stress ratings. Extended exposure to the values outside the limits may effect the device reliability.



Where application information is given, it is advisory only and does not form part of the specification.

4.1 Absolute maximum ratings

Parameter	Symbol	Condition	Min	Max	Units
Power supply voltage	VCC		-0.5	3.6	V
Voltage ramp on VCC ⁴			20	8000	μs/V
Input pin voltage	V _{in}		-0.5	VCC + 0.5	V
VCC_RF output current	ICC_RF			200	mA
Supply voltage USB	V_USB		-0.5	3.6	V
USB signals	USB_DM, USB_DP		-0.5	V_USB + 0.5	V
Input power at RF_IN	Pr _{fin}	source impedance = 50 Ω, continuous wave		10	dBm
Storage temperature	T _{stg}		-40	+85	°C

Table 5: Absolute maximum ratings



CAUTION Risk of equipment damage. This product is not protected against overvoltage or reversed voltages. Use appropriate protection diodes to avoid voltage spikes exceeding the specified boundaries damaging the equipment.

4.2 Operating conditions




The values for the following operating conditions have been specified at 25°C ambient temperature. Extreme operating temperatures can significantly impact the specified values. If an application operates near the min or max temperature limits, ensure the specified values are not exceeded.

Parameter	Symbol	Min	Typical	Max	Units	Condition
Power supply voltage	VCC	2.7	3.0	3.6	V	
SW backup current	I_SWBCKP		0.07		mA	
Input pin voltage range	V _{in}	0		VCC	V	
Digital IO pin low level input voltage	V _{il}			0.4	V	
Digital IO pin high level input voltage	V _{ih}	0.8 * VCC			V	
Digital IO pin low level output voltage	V _{ol}			0.4	V	I _{ol} = 2 mA
Digital IO pin high level output voltage	V _{oh}	VCC - 0.4			V	I _{oh} = 2 mA
DC current through any digital I/O pin (except supplies)	I _{pin}			5	mA	
VCC_RF voltage	VCC_RF		VCC - 0.1		V	
VCC_RF output current	ICC_RF			50	mA	

⁴ Exceeding the ramp speed may permanently damage the device


Parameter	Symbol	Min	Typical	Max	Units	Condition
Receiver chain noise figure ⁵	NFtot		11		dB	
Recommended LNA gain into module	LNA_gain		20		dB	
Operating temperature	Topr	-40	+25	+85	°C	

Table 6: Operating conditions

 Operation beyond the specified operating conditions can affect the device reliability.

4.3 Indicative power requirements

[Table 7](#) provides examples of typical current requirements when using a cold start command. The given values are total system supply current for a possible application including RF and baseband sections.

 The actual power requirements vary depending on the FW version used, external circuitry, number of satellites tracked, signal strength, type and time of start, duration, and conditions of test.

Symbol	Parameter	Conditions	QZSS L6	Unit
I _{PEAK}	Peak current	Acquisition & tracking	130	mA
I _{AVERAGE}	Average current	Acquisition & tracking	55	mA

Table 7: Currents to calculate the indicative power requirements

All values in [Table 7](#) are measured at 25 °C ambient temperature.

⁵ Only valid for the QZSS L2 band

5 Communications interfaces

The NEO-D9C-00B has several communications interfaces, including UART, SPI, I2C and USB.

All the inputs have internal pull-up resistors in normal operation and can be left open if not used. All the PIOs are supplied by VCC, therefore all the voltage levels of the PIO pins are related to VCC supply voltage.

5.1 UART

The UART interfaces support configurable baud rates. See the Integration manual [1].

Hardware flow control is not supported.

UART1 is the primary host communications interface.

Symbol	Parameter	Min	Max	Unit
R_U	Baud rate	9600	921600	bit/s
Δ_{Tx}	Tx baud rate accuracy	-1%	+1%	-
Δ_{Rx}	Rx baud rate tolerance	-2.5%	+2.5%	-

Table 8: NEO-D9C-00B UART specifications

5.2 SPI

The SPI interface is disabled by default. The SPI interface shares pins with UART and I2C and can be selected by setting D_SEL = 0. The SPI interface can be operated in slave mode only. The maximum transfer rate using SPI is 125 kB/s and the maximum SPI clock frequency is 5.5 MHz.

The SPI timing parameters for slave operation are defined in Figure 3. Default SPI configuration is CPOL = 0 and CPHA = 0.

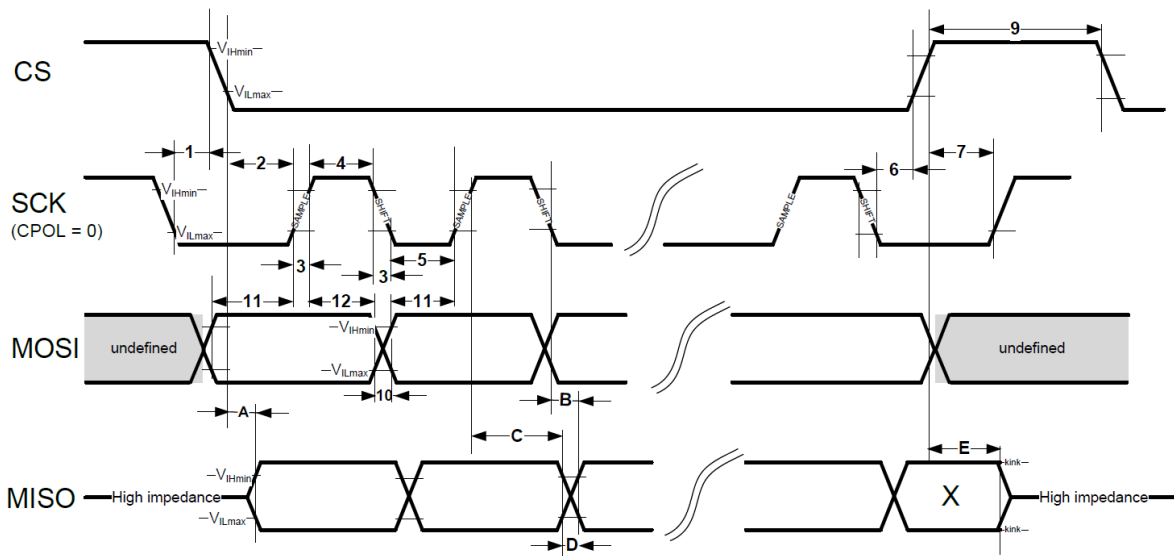


Figure 3: NEO-D9C-00B SPI specification mode 1: CPHA=0 SCK = 5.33 MHz

Symbol	Parameter	Min	Max	Unit
1	CS deassertion hold time	23	-	ns
2	Slave select time (CS to SCK)	20	-	ns

Symbol	Parameter	Min	Max	Unit
3	SCK rise/fall time	-	7	ns
4	SCK high time	24	-	ns
5	SCK low time	24	-	ns
6	Slave deselect time (SCK falling to CS)	30	-	ns
7	Slave deselect time (CS to SCK)	30	-	ns
9	CS high time	32	-	ns
10	MOSI transition time	-	7	ns
11	MOSI setup time	16	-	ns
12	MOSI hold time	24	-	ns

Table 9: SPI slave input timing parameters 1 - 12

Symbol	Parameter	Min	Max	Unit
A	MISO data valid time (CS)	12	40	ns
B	MISO data valid time (SCK), weak driver mode	15	40	ns
C	MISO data hold time	100	140	ns
D	MISO rise/fall time, weak driver mode	0	5	ns
E	MISO data disable lag time	15	35	ns

Table 10: SPI slave timing parameters A - E, 2 pF load capacitance

Symbol	Parameter	Min	Max	Unit
A	MISO data valid time (CS)	16	55	ns
B	MISO data valid time (SCK), weak driver mode	20	55	ns
C	MISO data hold time	100	150	ns
D	MISO rise/fall time, weak driver mode	3	20	ns
E	MISO data disable lag time	15	35	ns

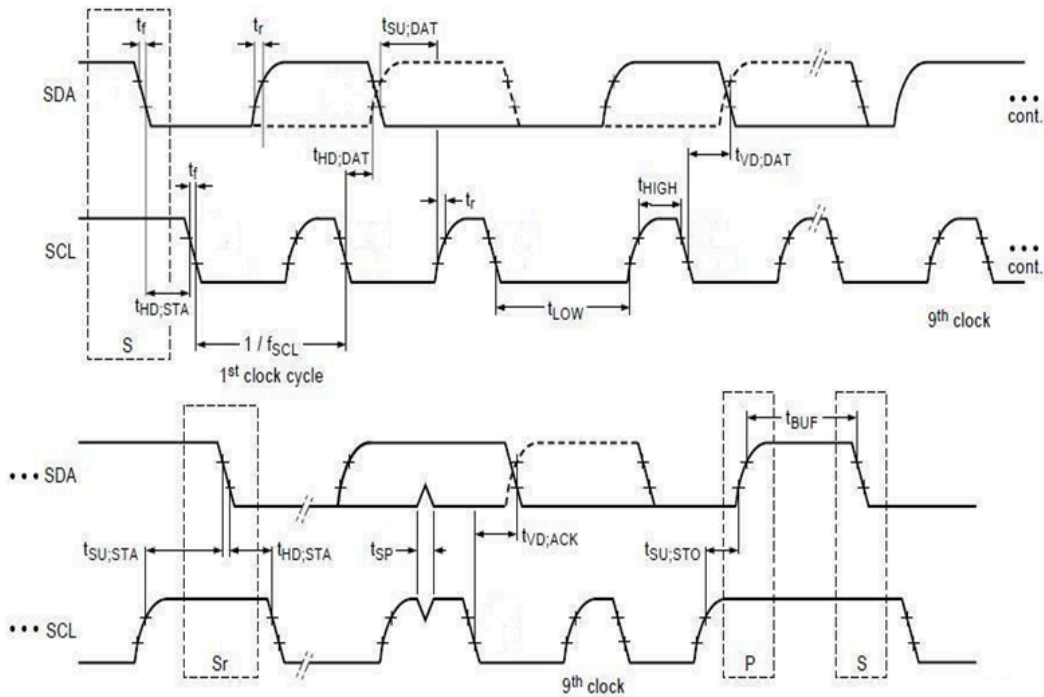
Table 11: SPI slave timing parameters A - E, 20 pF load capacitance

Symbol	Parameter	Min	Max	Unit
A	MISO data valid time (CS)	26	85	ns
B	MISO data valid time (SCK), weak driver mode	30	85	ns
C	MISO data hold time	110	160	ns
D	MISO rise/fall time, weak driver mode	13	45	ns
E	MISO data disable lag time	15	35	ns

Table 12: SPI slave timing parameters A - E, 60 pF load capacitance

5.3 I2C

An I2C interface is available for communication with an external host CPU in I2C Fast-mode. Backwards compatibility with Standard-mode I2C bus operation is not supported. The interface can be operated only in slave mode with a maximum bit rate of 400 kbit/s. The interface can make use of clock stretching by holding the SCL line LOW to pause a transaction. In this case, the bit transfer rate is reduced. The maximum clock stretching time is 20 ms.


Figure 4: NEO-D9C-00B I2C slave specification


Symbol	Parameter	I2C Fast-mode		Unit
		Min	Max	
f_{SCL}	SCL clock frequency	0	400	kHz
$t_{HD,STA}$	Hold time (repeated) START condition	0.6	-	μ s
t_{LOW}	Low period of the SCL clock	1.3	-	μ s
t_{HIGH}	High period of the SCL clock	0.6	-	μ s
$t_{SU,STA}$	Setup time for a repeated START condition	0.6	-	μ s
$t_{HD,DAT}$	Data hold time	0 ⁶	- ⁷	μ s
$t_{SU,DAT}$	Data setup time	100 ⁸	-	ns
t_r	Rise time of both SDA and SCL signals	-	300 (for C = 400pF)	ns
t_f	Fall time of both SDA and SCL signals	-	300 (for C = 400pF)	ns
$t_{SU,STO}$	Setup time for STOP condition	0.6	-	μ s
t_{BUF}	Bus-free time between a STOP and START condition	1.3	-	μ s
$t_{VD,DAT}$	Data valid time	-	0.9 ⁷	μ s
$t_{VD,ACK}$	Data valid acknowledge time	-	0.9 ⁷	μ s
V_{nL}	Noise margin at the low level	0.1 V _{IO}	-	V
V_{nH}	Noise margin at the high level	0.2 V _{IO}	-	V

Table 13: NEO-D9C-00B I2C slave timings and specifications

⁶ External device must provide a hold time of at least one transition time (max 300 ns) for the SDA signal (with respect to the min V_{ih} of the SCL signal) to bridge the undefined region of the falling edge of SCL.

⁷ The maximum $t_{HD,DAT}$ must be less than the maximum $t_{VD,DAT}$ or $t_{VD,ACK}$ with a maximum of 0.9 μ s by a transition time. This maximum must only be met if the device does not stretch the LOW period (t_{LOW}) of the SCL signal. If the clock stretches the SCL, the data must be valid by the set-up time before it releases the clock.

⁸ When the I2C slave is stretching the clock, the $t_{SU,DAT}$ of the first bit of the next byte is 62.5 ns.

 The I2C interface is only available with the UART default mode. If the SPI interface is selected by using `D_SEL = 0`, the I2C interface is not available.


5.4 USB

The USB 2.0 FS (full speed, 12 Mbit/s) interface can be used for host communication. Due to the hardware implementation, it may not be possible to certify the USB interface. The `V_USB` pin supplies the USB interface.

5.5 Default interface settings

Interface	Settings
UART	9600 baud, 8 bits, no parity bit, 1 stop bit. Output protocol: UBX. Only the following UBX message (if enabled) will be output if there is valid data: UBX-RXM-QZSSL6 . Input protocols without need of additional configuration: UBX.
USB	Output messages activated as in UART. Input protocols available as in UART.
I2C	Output messages activated as in UART. Input protocols available as in UART.
SPI	Output messages activated as in UART. Input protocols available as in UART.

Table 14: Default interface settings

 The boot message is still output using `$GNTXT` messages. The messages are output when the NEO-D9C-00B is powered up.

 Refer to the applicable interface description [2] for information about further settings.

6 Mechanical specification

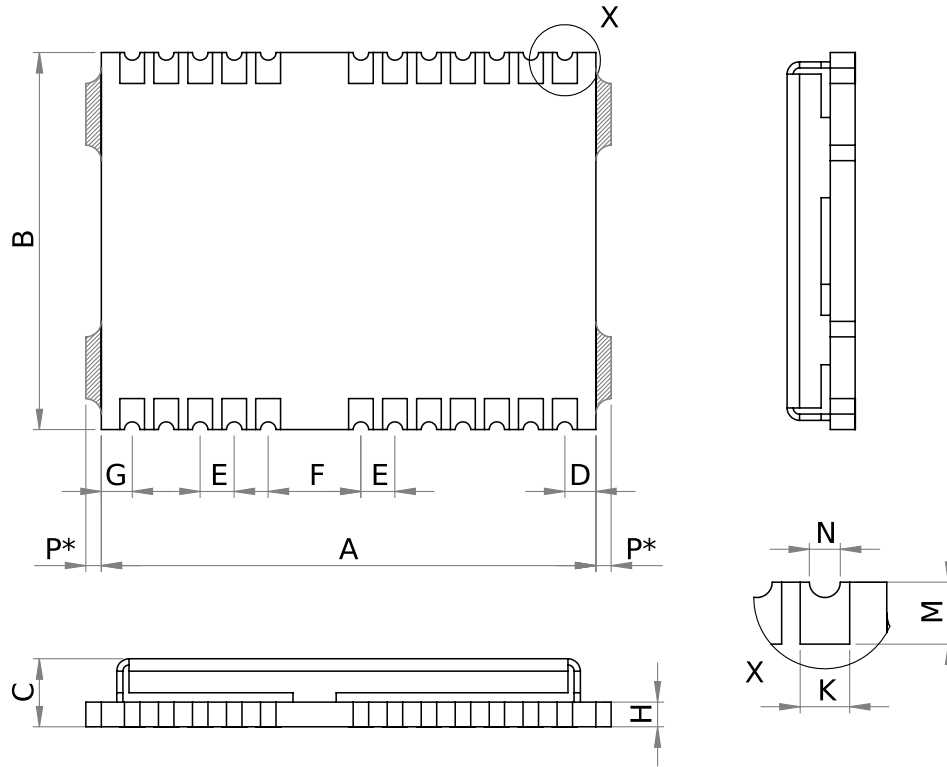




Figure 5: NEO-D9C-00B mechanical drawing

Symbol	Min (mm)	Typical (mm)	Max (mm)	
A	15.9	16.0	16.1	
B	12.1	12.2	12.3	
C	2.2	2.4	2.6	
D	0.9	1.0	1.1	
E	1.0	1.1	1.2	
F	2.9	3.0	3.1	
G	0.9	1.0	1.1	
H	-	0.82	-	
K	0.7	0.8	0.9	
M	0.8	0.9	1.0	
N	0.4	0.5	0.6	
P*	0.0	-	0.5	The de-paneling residual tabs may be on either side (not both).
Weight		1.6 g		

Table 15: NEO-D9C-00B mechanical dimensions

-  The mechanical picture of the de-paneling residual tabs (P*) is an approximate representation, shape and position may vary.
-  Component keep-out area must consider that the de-paneling residual tabs can be on either side (not both).

7 Reliability tests

NEO-D9C-00B modules are based on AEC-Q100 qualified GNSS chips.

Tests for product family qualifications are according to ISO 16750 "Road vehicles – environmental conditions and testing for electrical and electronic equipment", and appropriate standards.

8 Labeling and ordering information

This section provides information about product labeling and ordering. For information about moisture sensitivity level (MSL), product handling and soldering see the Integration manual [1].

8.1 Product labeling

The labeling of the NEO-D9C-00B modules provides product information and revision information. For more information contact u-blox sales.

8.2 Explanation of product codes

Three product code formats are used in the NEO-D9C-00B labels. The **Product name** used in documentation such as this data sheet identifies all u-blox products, independent of packaging and quality grade. The **Ordering code** includes options and quality, while the **Type number** includes the hardware and firmware versions.

Table 16 below details these three formats.

Format	Structure	Product code
Product name	PPP-TGV	NEO-D9C
Ordering code	PPP-TGV-NNQ	NEO-D9C-00B
Type number	PPP-TGV-NNQ-XX	NEO-D9C-00B-02

Table 16: Product code formats

The parts of the product code are explained in Table 17.

Code	Meaning	Example
PPP	Product family	NEO
TG	Platform	D9 = u-blox D9
V	Variant	C = QZSS corrections
NNQ	Option / Quality grade	NN: Option [00...99] Q: Grade, A = Automotive, B = Professional
XX	Product detail	Describes hardware and firmware versions

Table 17: Part identification code

8.3 Ordering codes

Ordering code	Product	Remark
NEO-D9C-00B	NEO-D9C	u-blox D9 correction module QZSS L6 receiver for CLAS and MADOCA service

Table 18: Product ordering codes



Product changes affecting form, fit or function are documented by u-blox. For a list of Product Change Notifications (PCNs) see our website at: <https://www.u-blox.com/en/product-resources>.

Related documents

- [1] NEO-D9C Integration manual, [UBX-21031631](#)
- [2] QZS 1.01 Interface description, [UBX-21031777](#)



For regular updates to u-blox documentation and to receive product change notifications please register on our homepage <https://www.u-blox.com>.

Revision history

Revision	Date	Name	Status / comments
R01	15-Sep-2017	ghun/jhak	Draft
R02	29-Sep-2017	ghun/jhak	Draft / updated pins 15 and 16
R03	29-Apr-2019	ghun	Objective Specification
R04	23-May-2019	ghun	Advance Information
R05	27-June-2019	ghun	Early Production Information - V_BCKP not used
R06	25-Mar-2020	jhak/ghun	PCN UBX-19057484 added and module type number updated. Absolute maximum ratings and Operating conditions tables updated.
R07	27-Oct-2020	dama	USB interface section update. UART interface section update. SW backup current update
R08	15-Sep-2021	dbhu	Update average current value. firmware QZS 1.01 update.
R09	17-Dec-2021	dama	Overall text improvement and typo corrections. Disclosure restriction C1-Public
R10	09-Feb-2022	dama	Production information
R11	16-Dec-2022	dbhu	Overall text improvement Updated the section Mechanical specification
R12	29-Mar-2023	dbhu	Updated I2C and SPI timing specifications in section Communications interfaces Updated VCC_RF output current in table Absolute maximum ratings

Contact

u-blox AG

Address: Zürcherstrasse 68
8800 Thalwil
Switzerland

For further support and contact information, visit us at www.u-blox.com/support.

X-ON Electronics

Largest Supplier of Electrical and Electronic Components

Click to view similar products for [U-Blox](#) manufacturer:

Other Similar products are found below :

[ADP-LEXI-R422-01](#) [ADP-LEXI-R520-02](#) [ADP-R10801D-00](#) [ADP-R8001-00C](#) [ADP-R8001M10-00C](#) [ADP-SARA-R500E-01](#) [ADP-SARA-R520-02](#) [ADP-SARA-R520M10-02](#) [ANNA-B112-02B](#) [ANT-B10-00C](#) [ANT-B10-10C](#) [ANT-B11-00C](#) [ANT-B11-10C](#) [BMD-300-A-R](#) [BMD-300-EVAL](#) [BMD-301-EVAL](#) [BMD-330-A-R](#) [BMD-330-EVAL](#) [BMD-340-EVAL](#) [BMD-350-A-R](#) [BMD-350-EVAL](#) [C212-NORA-B126](#) [EVA-M8Q-0](#) [EVK-LEXI-R422-01](#) [EVK-LILY-W132](#) [EVK-M8QCAM-0](#) [EVK-NINA-B501](#) [EVK-NINA-B506](#) [EVK-NINA-W101](#) [EVK-NINA-W102](#) [EVK-NINA-W131](#) [EVK-NORA-B120](#) [EVK-NORA-B126](#) [EVK-R10801D-00](#) [EVK-R422M10S-0](#) [EVK-R422M8S-0](#) [EVK-R8001-00C](#) [EVK-R8001M10-00C](#) [EVK-SARA-R500E-01](#) [EVK-SARA-R520-02](#) [EVK-SARA-R520M10-02](#) [IRIS-W101-00B](#) [IRIS-W106-00B](#) [JODY-W263-00A](#) [JODY-W263-01A](#) [JODY-W354-00A](#) [JODY-W374-00A](#) [LEA-M8T-1](#) [M2-JODY-W263-10C](#) [M2-MAYA-W161-10C](#)