

# APPROVAL SHEET

To :

Customer P/N :

UDE P/N : RB1-2D6B8K1A

Description : RJ45 1X1 Tab Down  
Through Hole  
10/100 Base-T  
Contact Area : Gold Flash  
LED:L-Green;R-Yellow



Spec No.  
RB1467-00

Update Date  
2010/11/24

Approved	Checked	Prepared



湧德電子 股份有限公司  
UDE Corp.

11F-1, No.58, Tongde 11th St., Taoyuan City, Taoyuan County (330), Taiwan  
桃園縣桃園市(330)同德十一街58號11F之1

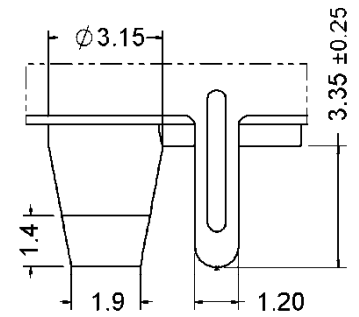
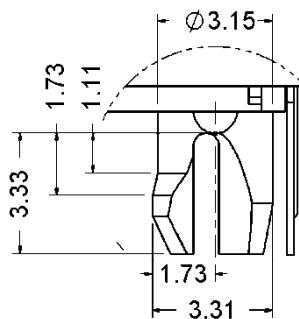
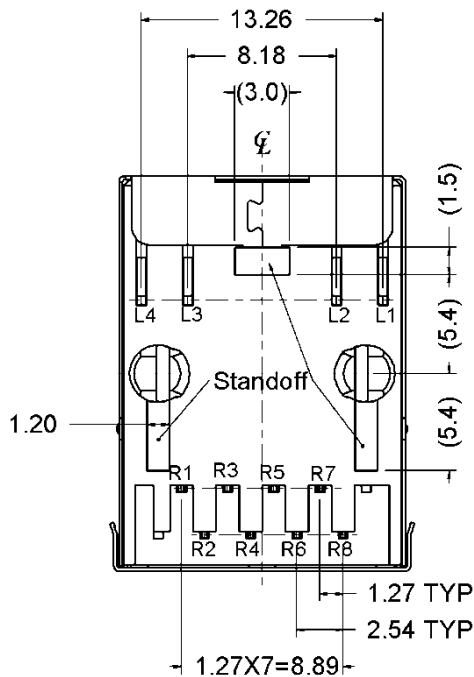
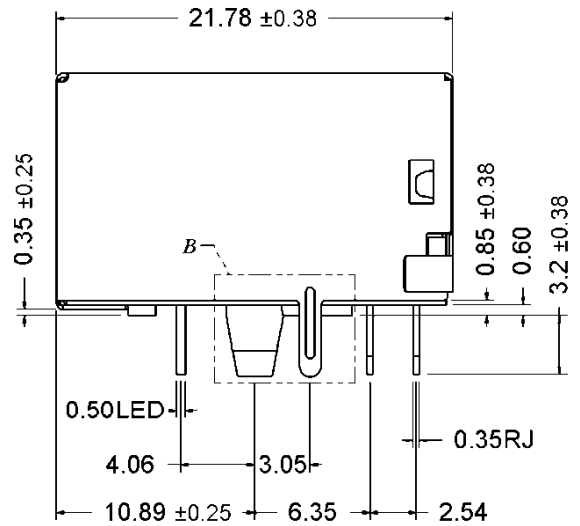
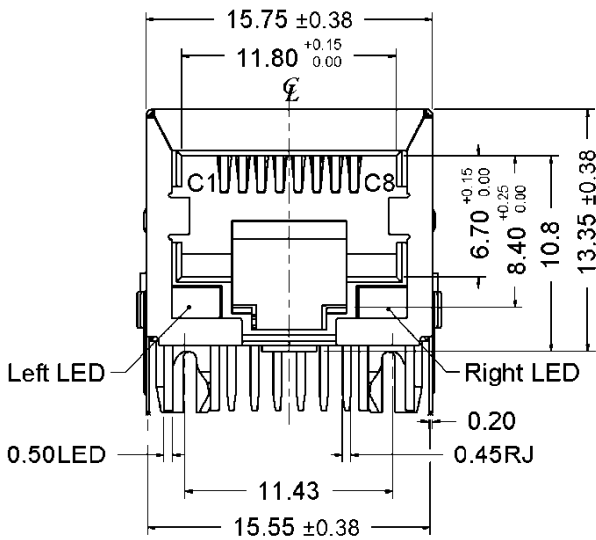
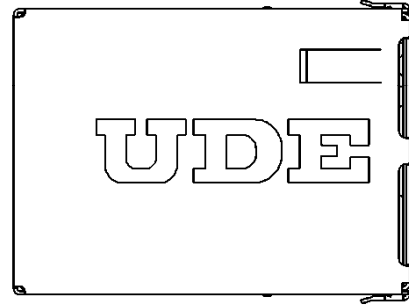
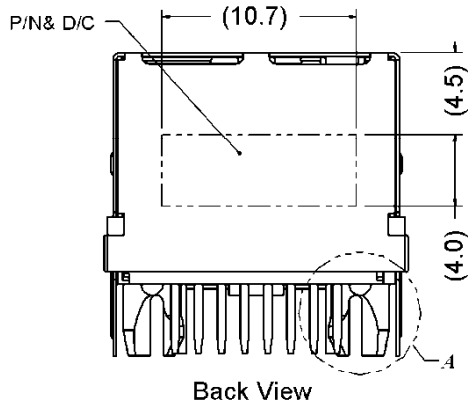
TEL:+886-3-3568600 FAX:+886-3-3560611

<http://www.ude-corp.com/>

1. MECHANICAL DIMENSION

1.1 Product Dimension

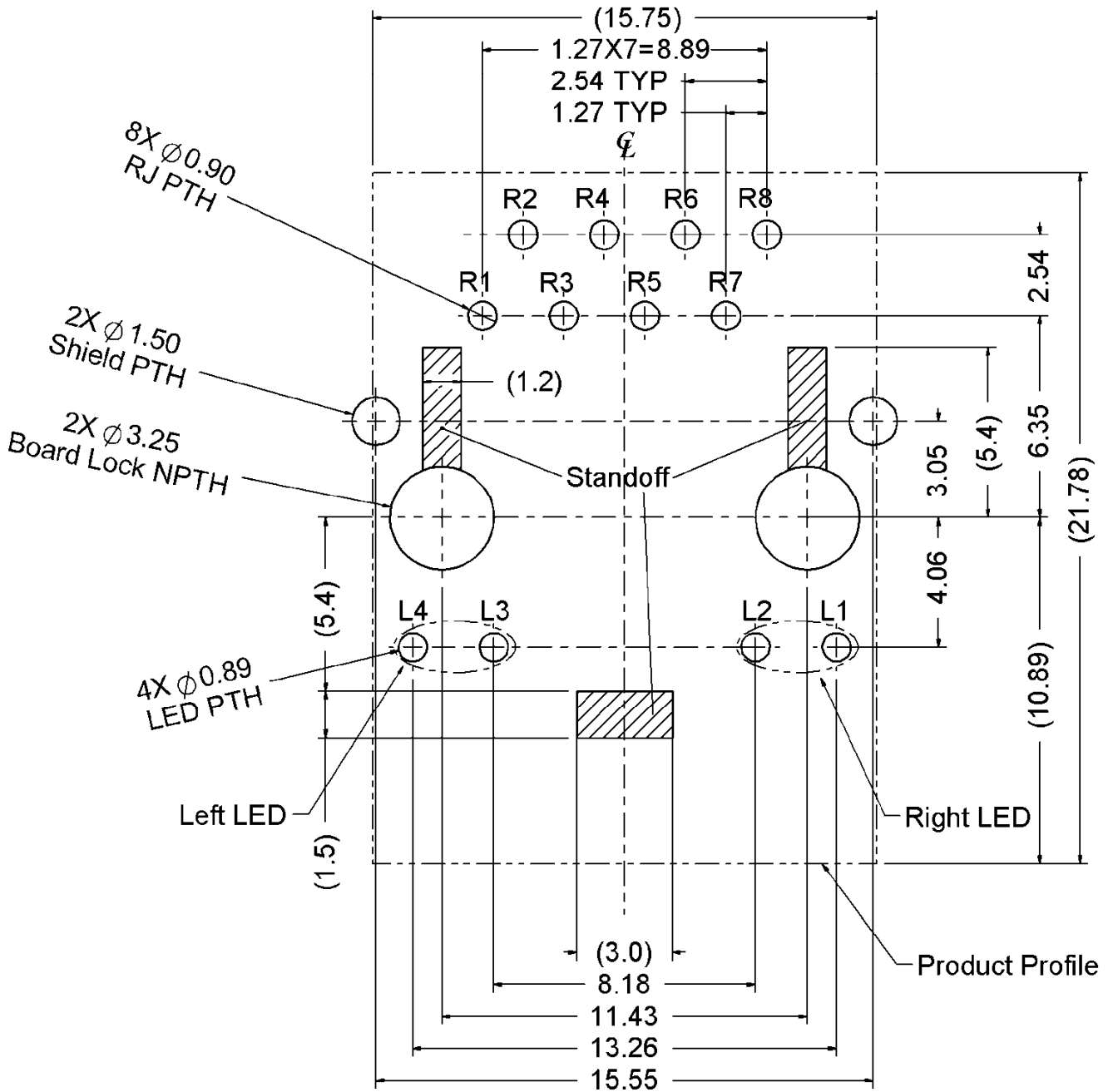
General Tolerance : X.X : ± 0.25  
 X.XX : ± 0.13



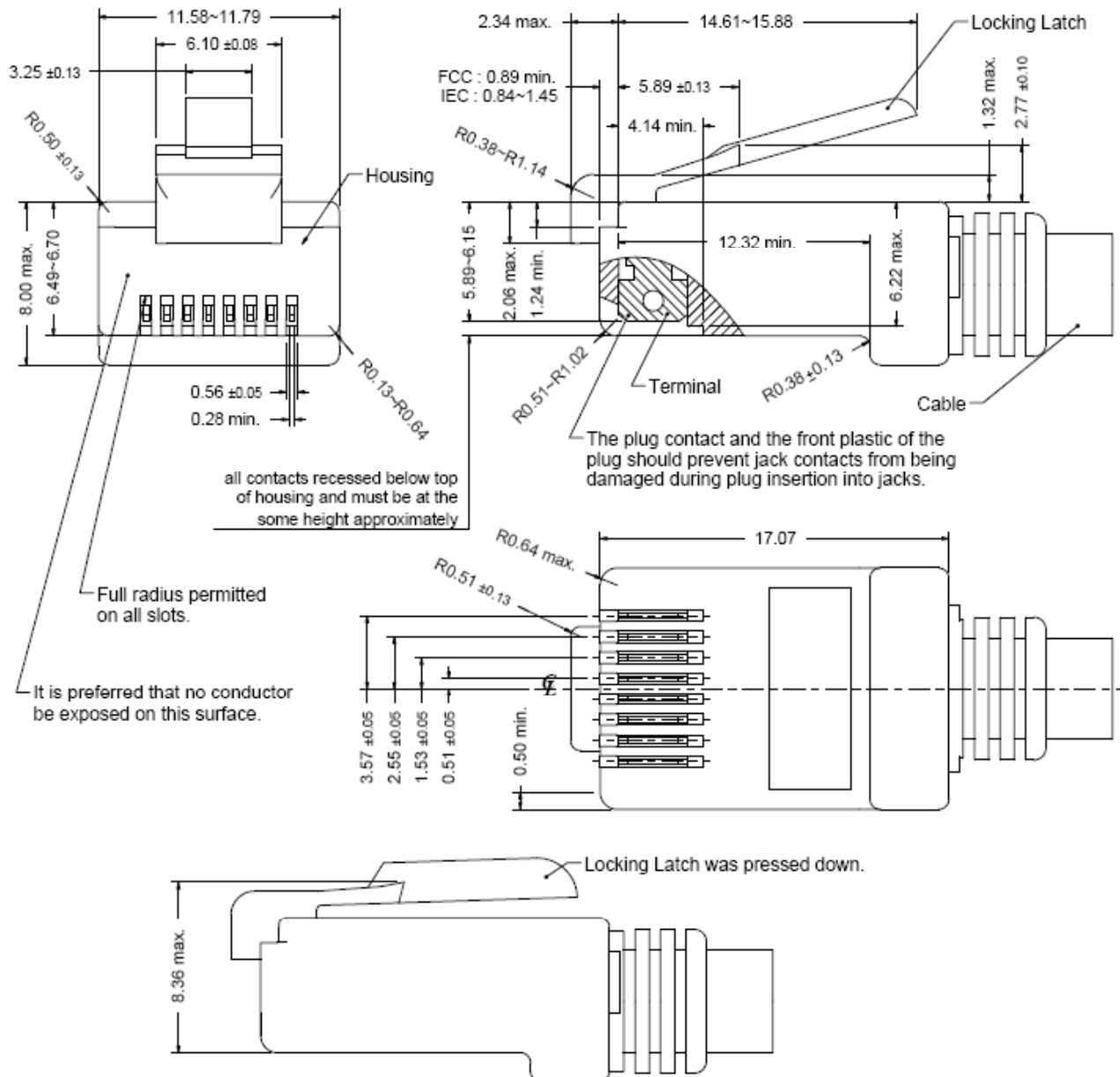
1.2 Recommended PCB Layout

Component Side of Board

All dimension tolerance are  $\pm 0.05\text{mm}$  unless otherwise specified



## 1.3 Standard RJ45 Plug Specification



- All dimensions follow :

FCC subpart F, 68,500, Figure (C)(2)(i) & (C)(2)(ii) & (C)(3)(i)

IEC 60603-7

- All plugs must be meeting the requirements of plug Go & No-Go gauge.

Gauge follow : FCC subpart F, 68,500, Figure (C)(4)(i) & (C)(5)(i)

- There must be no damage to Housing and Locking Latch.

- There must be no nicks and cuts in cable.

- Durability : 750 cycles generally

## 2. REQUIREMENTS

### 2.1 Design and Construction

Product shall be of design, construction and physical dimensions specified on applicable.

### 2.2 Material

#### 2.2.1 Terminal Parts (Underplating : 30 $\mu$ " min. Nickel overall)

2.2.1.1 RJ Terminal : PH. Bronze, Thickness=0.30mm

Finish : Contact Area : Gold Flash

2.2.1.2 Input Terminal : Brass, Thickness=0.35mm

Finish : 100 $\mu$ " min. Tin

2.2.1.3 Case Terminal : Brass, Thickness=0.30mm

Finish : 100 $\mu$ " min. Tin

#### 2.2.2 Plastic Parts <UL94V-0>

2.2.2.1 Housing : High Temperature Thermoplastic, Black

2.2.2.2 Case : High Temperature Thermoplastic, Black

#### 2.2.3 Shield Parts : Stainless, Thickness=0.20mm, Pre-soldering

### 2.3 Operating and Storage Temperature

Operating Temperature : 0°C to +70°C

Storage Temperature : -40°C to +85°C

### 2.4 RJ45 specifications

Insulation Resistance 500MΩ min.

Insertion force with the latch depressed 22N max

Removal force with the latch depressed 44N max

Locking Force of Plug Latch : 50N min. @ 60+/-5 sec

Durability : 750cycles

### 2.5 Performance and Test Description

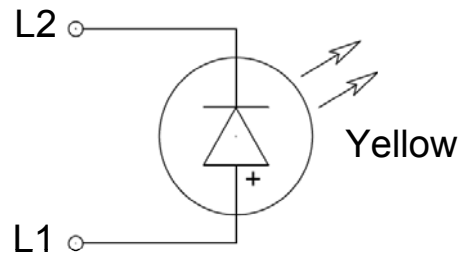
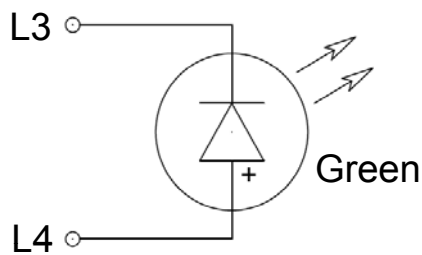
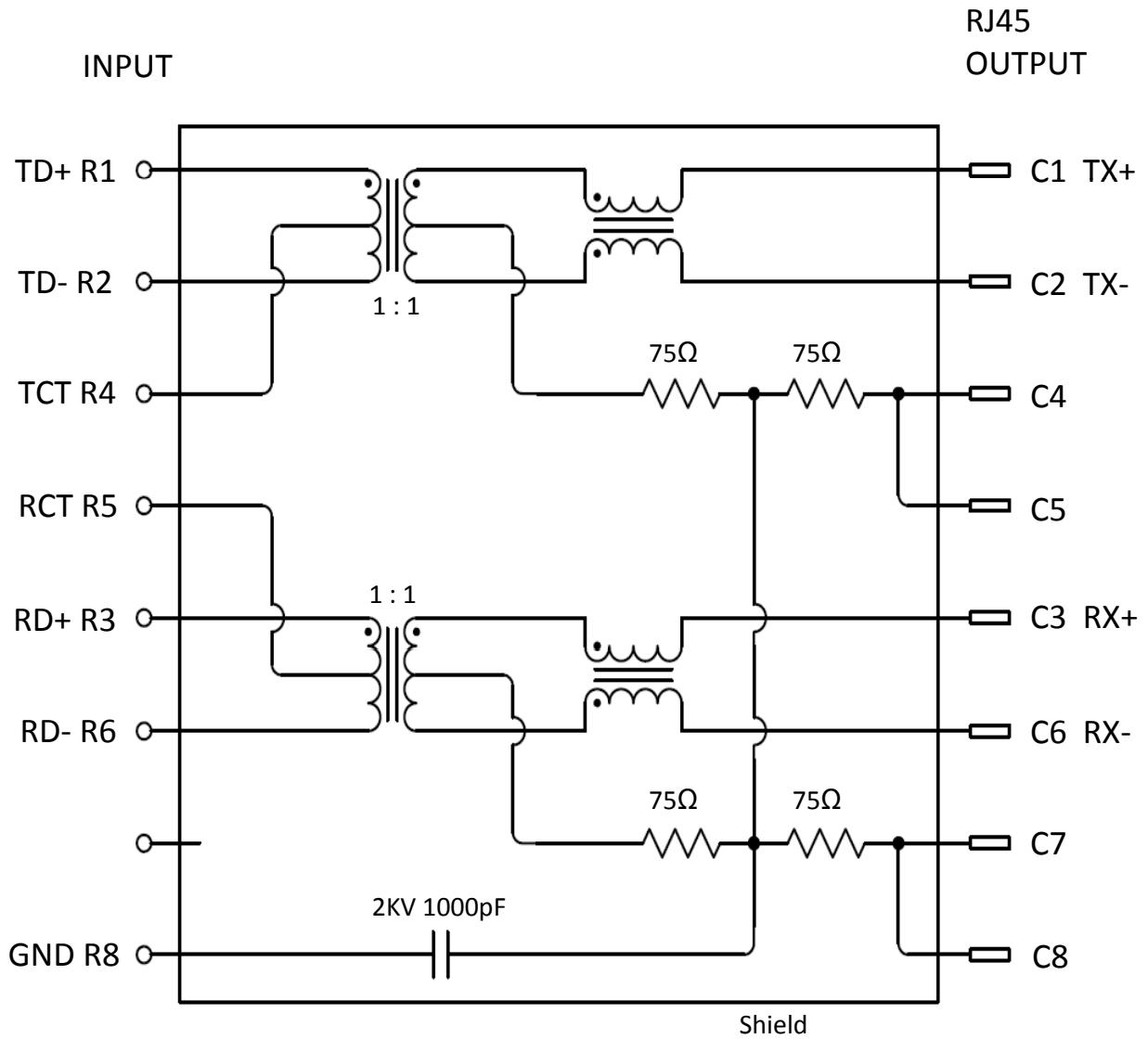
Product is designed to meet electrical, mechanical and environmental performance requirements specified in below table. All tests are performed at ambient environmental conditions per MIL-STD-1344A and EIA-364 unless otherwise specified.

### 2.6 Packaging and Packing

All parts shall be packaged and packed to protect against physical damage 、 corrosion and deterioration during shipment and storage.

### 3. ELECTRICAL CHARACTERISTICS

#### 3.1 Schematic



Emitting Color	$\lambda_p$ (nm)	$V_f @ I_f=20mA$	$I_r @ V_r=5V$
Green	565	1.7 ~2.6 V	10 $\mu$ A max.
Yellow	585	1.7 ~2.6 V	10 $\mu$ A max.

### 3.2 Transmitter filter & Receiver filter

Type : Balance low pass 100Ω impedance

Insertion loss : 1~100 MHz -1.0dB max.

Return loss : 1~30 MHz -18dB min. load 100Ω

30~60MHz -16dB min. load 100Ω

60~80MHz -12dB min. load 100Ω

### 3.3 Common Mode Rejection

@ 1~100 MHz -30dB min.

### 3.4 Cross Talk

@ 1~100 MHz -30dB min.

### 3.5 Inductance @ 100KHz, 0.1V, 8mA DC BIAS

Input (R1-R2), Input (R3-R6): 350 μH min.

### 3.6 HiPot Test

Input(R1-R2) To Output(C1-C2) : 1500Vac 60s or 2250Vdc 60s

Input(R3-R6) To Output(C3-C6) : 1500Vac 60s or 2250Vdc 60s



## 4. ORDER INFORMATION

R B 1 - 2 D 6B 8K1 A  
 A B C D

## A. LED Code :

L-Green;R-Yellow. <Refer to Schematic of LED>

## B. Mechanical Code :

w/ UDE Logo, w/o Spring, Rear side Leg, Board Lock

## C. Schematics Code :

8K1 : 8K1 circuit

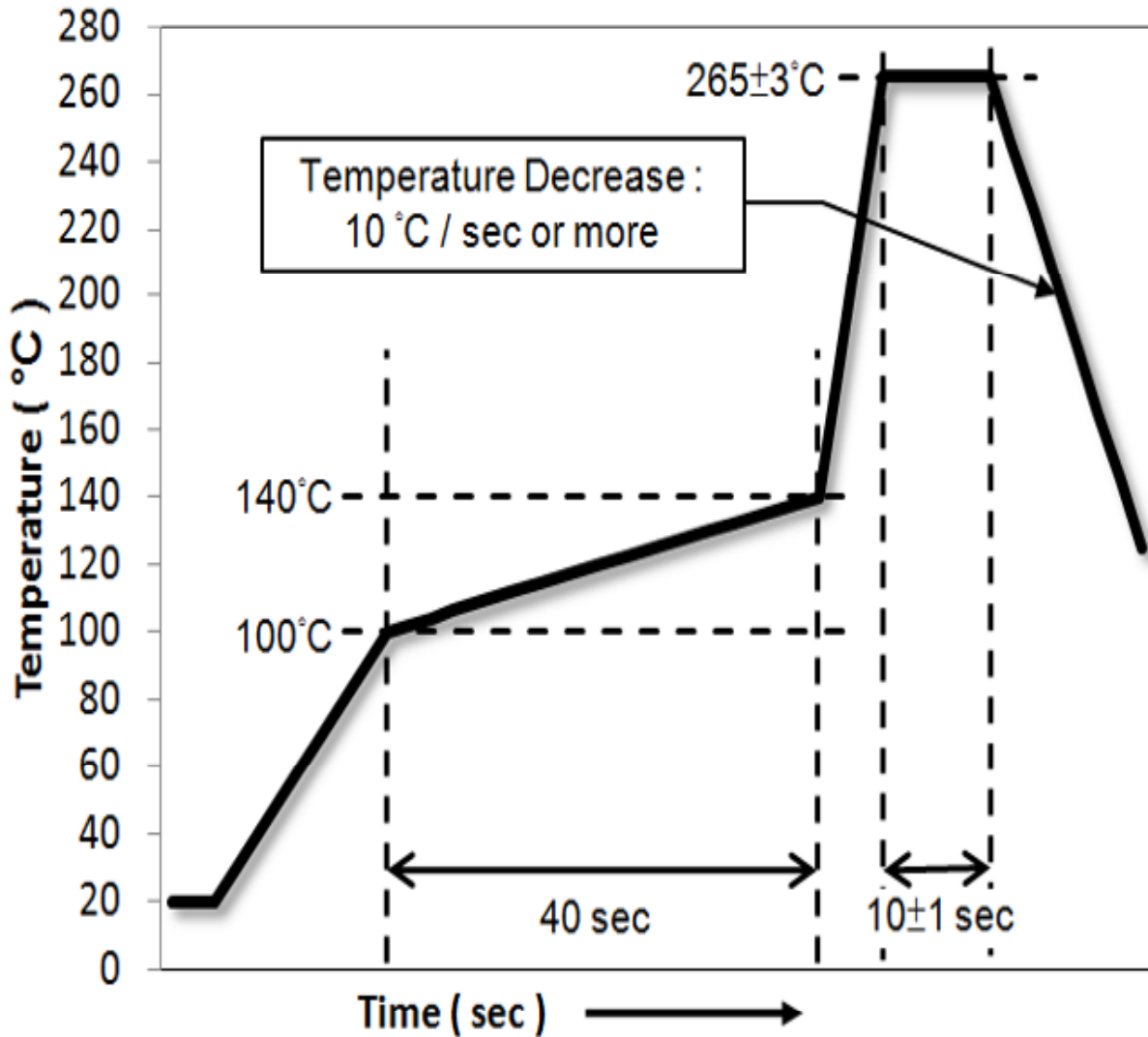
## D. Plating Code :

Underplating	30 $\mu$ " min. Nickel overall	
Solder Tail	100 $\mu$ " min. Bright Tin	100 $\mu$ " min. Matted Tin
Contact Area	<b><u>A : Gold Flash</u></b> C : 6 $\mu$ " gold B : 10 $\mu$ " gold D : 15 $\mu$ " gold F : 30 $\mu$ " gold G : 50 $\mu$ " gold	1 : Gold Flash 6 : 6 $\mu$ " gold 2 : 15 $\mu$ " gold 3 : 30 $\mu$ " gold 4 : 50 $\mu$ " gold

### 5. DIPPING TEMPERATURE PROFILE

Note :

The measuring point for the specified temperature shall be on the soldered part of the lead.



## X-ON Electronics

Largest Supplier of Electrical and Electronic Components

*Click to view similar products for [Modular Connectors](#) / [Ethernet Connectors](#) category:*

*Click to view products by [UDE manufacturer](#):*

Other Similar products are found below :

[RJE231881317T](#) [MP1010RX-1000](#) [MP44RX-1000](#) [GAX-3-66](#) [GAX-8-62](#) [93606-0253](#) [GD-A-44](#) [GDCX-PA-66-50](#) [GDCX-PN-64](#) [GDCX-PN-66](#) [GDCX-PN-66-50](#) [GDLX-A-66](#) [GDLX-A-88](#) [GDLX-N-66](#) [GDLX-S-88K](#) [GDTX-S-88-50](#) [GDX-PA-1010](#) [GLX-N-1010M-BLK](#) [GLX-N-44M](#) [GLX-S-88M-BLK](#) [GMX-N-1010](#) [GMX-S-1010](#) [GMX-S-66](#) [GMX-SMT2-N-1010](#) [GMX-SMT2-N-64-50](#) [GMX-SMT2-S6-88](#) [GMX-SMT4-N-88](#) [GPX-2-64](#) [GRT1-BT1-5](#) [GSGX-N-2-88](#) [GSX-NS2-88-3.05](#) [GSX-NS2-88-3.05-50](#) [GSX-NS-88-3.05-30](#) [GSX-NS-88-3.05-50](#) [GSX-NS-88-3.68](#) [1-1775629-2](#) [GWLX-S-88-GR](#) [GWLX-S9-88-YG](#) [1300500326](#) [1300500227](#) [1300530003](#) [1300570002](#) [1324640-4](#) [RJ11FTVC2G](#) [RJ11FTVC2N](#) [RJFTVX2SA1G](#) [132764-001](#) [1400000](#) [1413176](#) [1413235](#)