



NEO

# THE NEW IoT PLATFORM

[www.udoo.org](http://www.udoo.org)



Arduino, Linux & Android in your pocket.  
The wireless Internet of Things playground.



**Born to be wireless**  
Wi-Fi 802.11 b/g/n  
Bluetooth 4.0 BLE

# 4.0

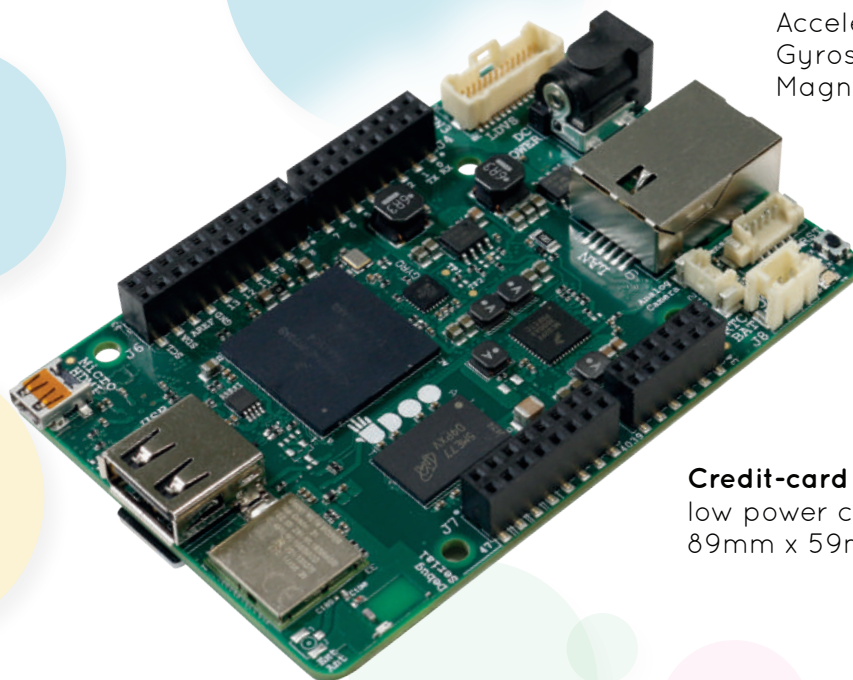


**9 Axis sensors**  
Accelerometer  
Gyroscope  
Magnetometer



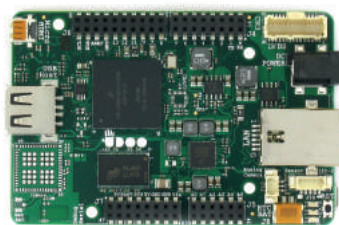
**Powerful 1GHz Cortex-A9**  
+ M4 I/O realtime  
co-processor

**Credit-card sized**  
low power consumption board  
89mm x 59mm (3.50" x 2.32")



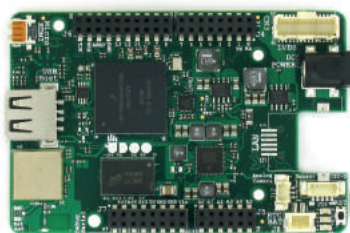
## STARTING FROM \$49.90

### UDOO BASIC



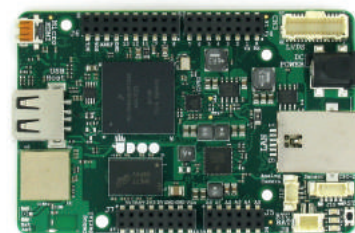
- 512 RAM
- Ethernet

### UDOO EXTENDED



- 1Gb RAM
- Wi-Fi/Bluetooth
- Motion Sensors

### UDOO FULL



- 1Gb RAM
- Wi-Fi/Bluetooth
- Motion Sensors
- Ethernet





# NEO

## UDOO® NEO is an all-in-one open hardware low-cost computer, equipped with a NXP i.MX 6SoloX applications processor for Android® and Linux®

UDOO®Neo embeds two cores on the same processor: a powerful 1GHz ARM® Cortex-A9, and up to a 200MHz Cortex-M4 I/O real-time co-processor.

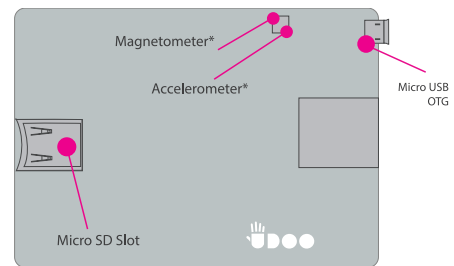
While the Cortex-A9 can run both Android Lollipop and UDObuntu 2, a dedicated Ubuntu-based Linux distro, the Cortex-M4 allows easy access to a full-stack Arduino® environment. The snap-in connector ensures a plug-and-play interaction with most sensors and actuators.

Thanks to its embedded 9-axis motion sensors and Wi-Fi + Bluetooth 4.0 module, the board is ideal to create robots, drones and rovers as well as any Mobile IoT project your imagination desires.

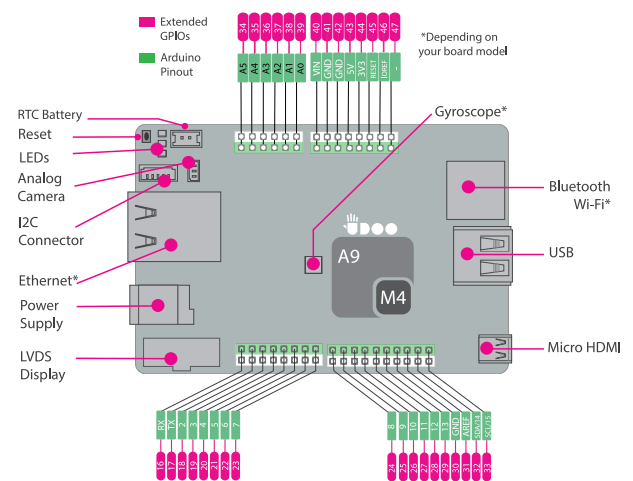
### FEATURES

	<b>Processor</b>	NXP i.MX 6SoloX applications processor with an embedded <b>ARM Cortex-A9 core and a Cortex-M4 Core</b>
	<b>Memory</b>	DDR3 512MB (Basic) or 1GB (Extended and Full)
	<b>Graphics</b>	Vivante GC420 Integrated 2D/3D graphics accelerator
	<b>Video Out</b>	1x Micro HDMI Interface 1x LVDS interface + touch (I2C signals)
	<b>Video In</b>	1x Analog camera connection supporting NTSC and PAL 1x 8-bit Digital camera interface*
	<b>Mass Storage</b>	MicroSD card slot onboard 8-bit SDIO interface*
	<b>Audio</b>	HDMI audio transmitter 1x S/PIDF & I2S*
	<b>USB</b>	1x USB 2.0 Type A ports 1x USB OTG (micro-AB connector)
	<b>Networking</b>	Fast ethernet RJ45 10/100Mbps (only Basic and Full) <b>Wi-Fi 802.11 b/g/n</b> Direct Mode SmartConfig <b>and Bluetooth 4.0 Low Energy</b> (only Extended and Full)
	<b>Serial Ports</b>	3x UART ports* 2x CAN Bus interfaces*
	<b>Other Interfaces</b>	<b>8x PWM signals*</b> 3x I2C interface* 1x SPI interface* <b>6x multiplexable signals*</b>
	<b>Power Supply</b>	1x DC Micro USB 5 V 1x DC Power Jack 6-15 V 1x RTC Battery Connector
	<b>LEDs</b>	1x Green Power Status LED 2x User Configurable LEDs (Red and Orange)
	<b>Integrated Sensors</b>	<b>3-Axis Accelerometer</b> (only Extended and Full) <b>3-Axis Magnetometer</b> (only Extended and Full) <b>3-Axis Digital Gyroscope</b> (only Extended and Full) <b>1x Sensors Snap-in I2C connector</b>
	<b>Dimensions</b>	89mm x 59mm (3.50 inch x 2.32 inch)
	<b>Arduino Pinout</b>	<b>Arduino-compatible</b> through the standard Arduino Uno layout and compatible with Arduino shields.
	<b>Digital I/O Pins</b>	32 extended GPIOs (A9 dedicated) 22 Arduino GPIOs (M4 dedicated)
	<b>Analog Input Pins</b>	6 available Pins
	<b>Operating System</b>	Android Marshmallow 6.0.1 Linux UDObuntu2 (14.04 LTS)

### BOTTOM



### TOP



\*Available on Pin Header  
Information subject to change. Please visit [www.udoo.org](http://www.udoo.org) to find the latest version of the datasheet.

23.02.2017



[www.udoo.org](http://www.udoo.org)

## X-ON Electronics

Largest Supplier of Electrical and Electronic Components

*Click to view similar products for [Single Board Computers](#) category:*

*Click to view products by [UDOO](#) manufacturer:*

Other Similar products are found below :

[MANO882VPGGA-H81](#) [SSD3200W-S-SLC-INN 20-101-0738](#) [MVME61006E-2173R](#) [SHB230DGGGA-RC](#) [IMB210VGGA](#) [IB915F-3955](#)  
[MI958F-16C](#) [S2600WFT](#) [S2600STB](#) [BBS2600BPS](#) [BLKNUC7I3DNHNC1978015](#) [DEV-17745](#) [BEAGLEBOARD POCKET](#) [MICROSOM](#)  
[I2 + WIFI/BT](#) [HUMMINGBOARD-I2EX BASE + WIFI/BT](#) [HUMMINGBOARD-I4 PRO + WIFI/BT](#) [VAB-600-B](#) [RT5350F-OLINUXINO-](#)  
[EVB](#) [MITX-440-DVI-2E](#) [ATCA-7365-D-24GB](#) [NITX-315-DEVKIT](#) [A13-SOM-512](#) [NITX-315](#) [BANANA PI BPI-M1+](#) [A13-SOM-WIFI-](#)  
[4GB](#) [AM3359-SOM-EVB-IND](#) [UPS-APLC2-A10-0432](#) [DFR0419](#) [UPS-APLP4-A10-0864](#) [UPS-APLP4-A10-0432](#) [UPS-APLP4-A10-08128](#)  
[MI977F-Q27](#) [BBBLUE](#) [IB811F-I30](#) [DFR0470-ENT](#) [Nit6Q\\_i](#) [M2M \(TELIT\)](#) [RELAY](#) [PROFESSIONAL](#) [GCS22.2.080.2.2.I](#)  
[GCS22.8.100.4.2.I](#) [GLS11.2.053.2.2.E](#) [A20-OLINUXINO-LIME-E16GS16M](#) [A20-OLINUXINO-LIME-S16M](#) [A20-OLINUXINO-LIME2-](#)  
[E16GS16M](#) [A20-OLINUXINO-MICRO-E16GS16M](#) [A20-OLINUXINO-MICRO-S16M](#) [BANANA PI BPI-W2](#) [T2-OLINUXINO-LIME2-](#)  
[S16M-IND](#)