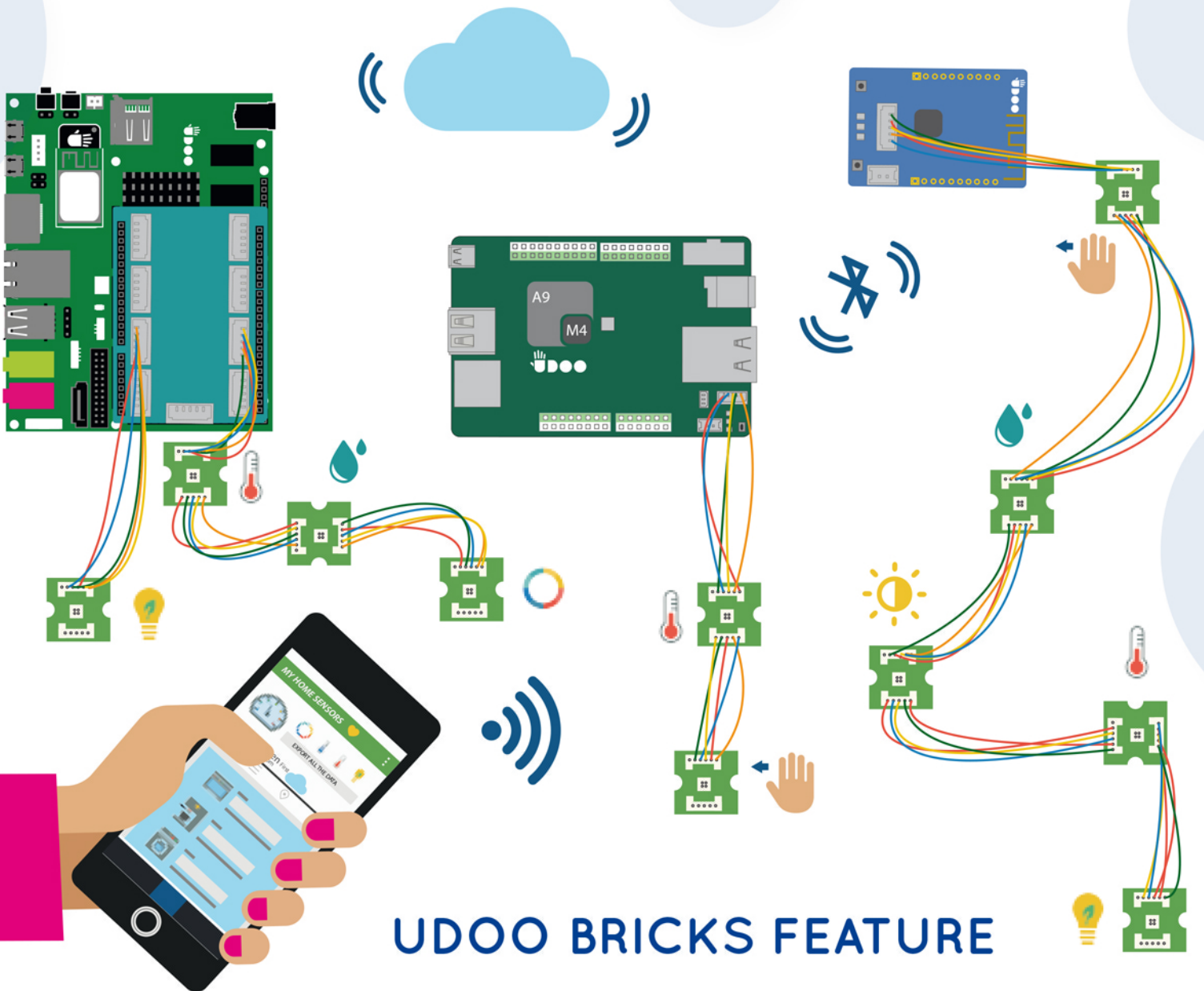


AUGMENT UDOO BOARDS AND MAKE THEM MORE VERSATILE



UDOO BRICKS FEATURE

I2C Snap-In Connector

Plug into the I2C port thanks to the brand new Snap-In Connector

Cascade Configuration

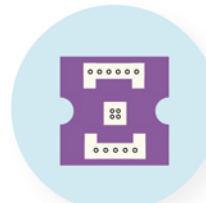
Attach multiple sensors to the same board without wasting space

Broad selection

Tons of BRICKS to choose from: Humidity, Temperature, Altimeter, Relay, Light, Gesture, etc.

Compatible with all UDOO BOARDS

UDOO BRICKS are compatible with all the available UDOO BOARDS

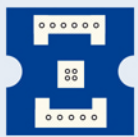




THE FLEXIBLE WIRELESS EXTENSION FOR YOUR IoT PLATFORM



Bluetooth Low Energy
Multi-standard 2.4 GHz
ultra-low power consumption



UDOO Bricks compatible
Compatible with all UDOO
BOARDS



9-Axis Motion Sensors
Accelerometer
Gyroscope
Magnetometer

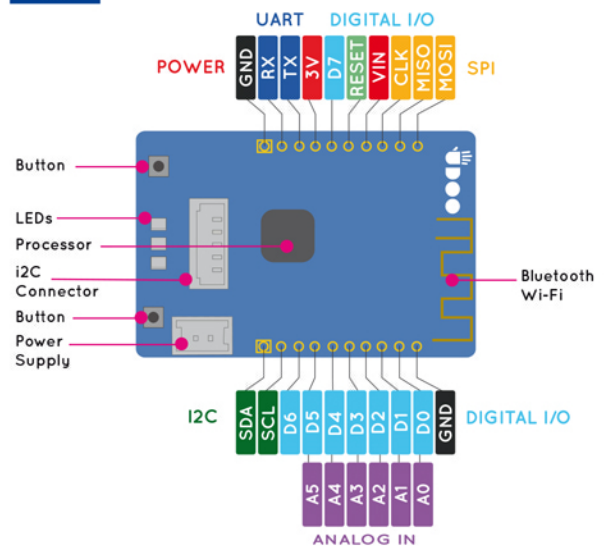


Extremely Small Size
Board (45mm x 35mm;
1,77inch x 1,37inch)

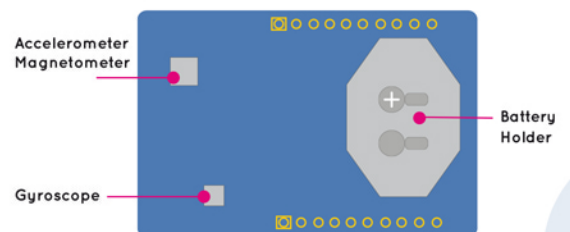
FEATURES

Processor	Texas Instruments CC2650 ARM® Cortex®-M3 Up to 48 MHz
Networking	Bluetooth Low Energy (BLE) ZigBee, 6LoWPAN
Integrated Sensors	FXOS8700CQ Accelerometer+Magnetometer FXAS21002C Gyroscope+Temperature 1x Sensors Snap-in i2C connector for UDOO Bricks
LEDs	3x User Configurable LEDs (Red, Yellow, Green)
Dimensions	45mm x 35mm (1,77inch x 1,37inch)
Digital I/O Pins	8x Digital GPIOs
Analog Input Pins	6x Available ADCs
Button	2x Buttons
Other Interfaces	1x I2C 1x SPI 1x UART Serial
Power Supply	Battery holder (button-cell) CR 2032 External power supply

TOP



BOTTOM



16.10.2016

Information subject to change. Please visit www.udoo.org to find the latest version of the datasheet.



www.udoo.org

X-ON Electronics

Largest Supplier of Electrical and Electronic Components

Click to view similar products for [Bluetooth Modules - 802.15.1 category](#):

Click to view products by [UDOO manufacturer](#):

Other Similar products are found below :

[A2541R24A10GM](#) [CYBLE-212023-10](#) [BM78SPP05MC2-0002AA](#) [CYW20732S](#) [968EMB0019](#) [E73-2G4M08S1CX](#) [TB-03F](#) [TB-03F-AT_Mesh](#) [TB-04](#) [TB-04--AT_Mesh](#) [BT3L\(jibu\)](#) [BT5S\(xoft\)](#) [BT5S\(4k43\)](#) [BT5S\(jcyv\)](#) [ENW89857A1KF](#) [ENW49D01A1KF](#) [SPB228-D-188980124](#) [DG100 IOT EDGE GATEWAY 1327](#) [RN42HID-I/RM](#) [ENW-89829C3KF](#) [BLE113-A-V1](#) [BM70BLE01FC2-0B03AA](#) [ACN52832](#) [A2541E24A10GM](#) [450-0168R](#) [MOTG-BLUETOOTH](#) [ABBTM-2.4GHz-52-T](#) [ABBTM-2.4GHz-T](#) [ABBTM-2.4GHz-T2](#) [ACN52840](#) [4076](#) [4077](#) [AFERO-BL24-01](#) [BLED112](#) [BM62SPKS1MC2-0001AA](#) [BM78SPPS5MC2-0002AA](#) [PX0880/1](#) [DAT12](#) [BT680F](#) [PBA31309V1.00](#) [S](#) [LK64](#) [ATSAMB11-MR510CA](#) [BM20SPKA1NBC-0001AA](#) [BM20SPKS1NBC-0001AA](#) [BM23SPKS1NB9-0B02AA](#) [BM70BLE01FC2-0B04AA](#) [BM77SPP03MC2-0007AA](#) [BM77SPP03MC2-0008AA](#) [BM78SPPS5NC2-0002AA](#)