



Quality Products. Service Excellence.

Type 12 Mild Steel Multi-Door Freestanding Disconnect Enclosure *UHD Series*

Hinge Door with Handle (Flange w/ multi-vendor cutout)



Application

- Designed to accept the following disconnect switches and circuit breakers:
 - ABB Controls flange mounted variable depth operating mechanisms for disconnect switches and circuit breakers.
 - Allen Bradley 1494F flange mounted disconnect switches and 1494D flange mounted operators for circuit breakers. Allen Bradley 1494V variable depth flange mounted disconnect switches and circuit breaker mechanisms.
 - C-H Westinghouse type C361 disconnect switches and operator mechanism. Cutler Hammer Type C371 circuit breaker operating mechanisms. Flex-Shaft™ handle operators for circuit breakers.
 - General Electric type STDA flange handles and variable depth operating mechanisms for disconnect switches and circuit breakers. Also Spectra-Flex™ cable operators for circuit breakers.
 - Siemens I-T-E Max-Flex™ flange mounted variable depth operating handles for disconnect switches and circuit breakers.
 - Square D disconnect switches and circuit breakers used with Class 9422 flange mounted variable depth operating mechanisms or cable mechanisms. These enclosures will not receive Class 9422 bracket mounted disconnect devices or class 9422TG1 or TG2 devices.

Standards

- UL 508A Type 12
- CSA Type 12
- Complies with
 - NEMA Type 12
 - IEC 60529, IP54
- Appropriate components are required to maintain these standards.

Construction

- Formed from 10 gauge steel with smooth, continuously welded seams.
- Body stiffeners are provided in the larger enclosures for extra rigidity.
- Flange trough collar (FTC) around door opening excludes liquids and contaminants.
- Heavy duty lifting eyes are anchored into reinforced top corners.
- Removable doors are secured with heavy duty lift off hinges.
- Formed 10 gauge steel inner panels are provided on collar studs.
- Panel supports are provided.
- Center post is removable, providing easy panel installation.
- Heavy duty three point latching mechanism with heavy duty roller ends is provided for ease of door closing.
- Oil resistant gaskets are permanently secured.
- The right-hand door on all enclosures is the master door.
- Master door handle complete with screw defeater and padlock hasp.
- Slave door handle complete with padlock hasp.

- A mechanical interlock activated by the master door prevents the auxiliary door from being opened first.
- The universal flange cutout provides mounting for disconnect operators by use of the appropriate operator adaptor kit.
- A provision for mounting fluorescent lighting is provided.
- A bonding stud is provided in the door and a grounding stud is provided in the enclosure for each door.
- A literature pocket is provided for the inside of the door.

Note

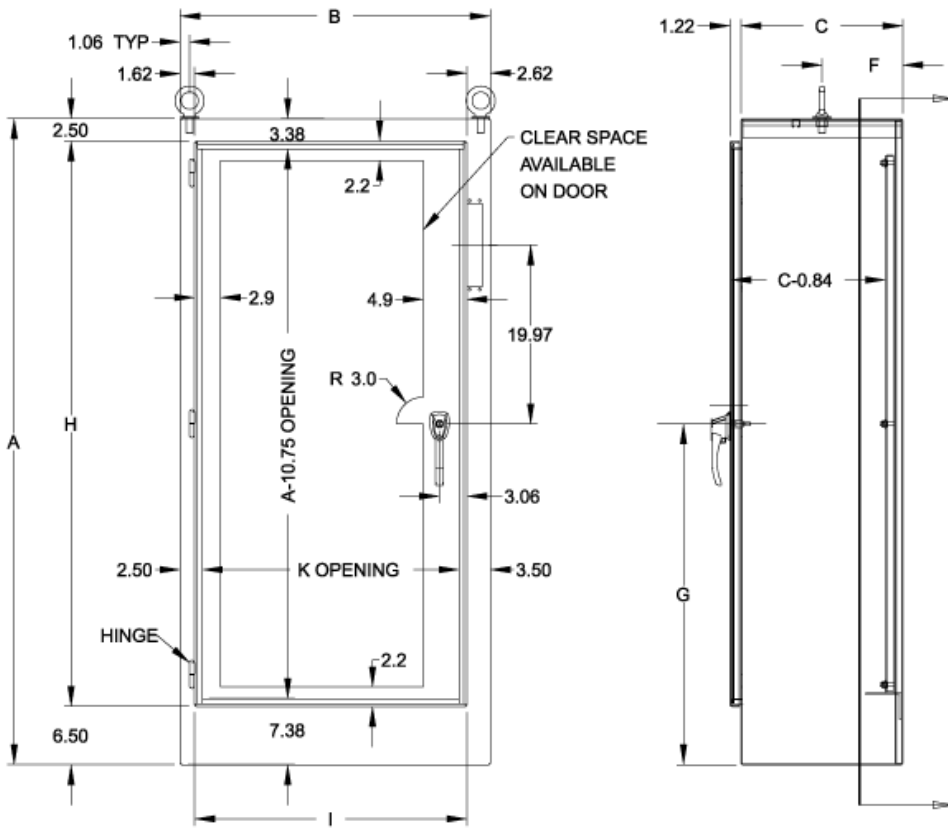
- Disconnect switches, circuit breakers and operators are not provided with the enclosure, and must be ordered separately from the manufacturer.

Finish

- Door and enclosure are phosphatized and finished in ANSI 61 gray recoatable powder coating on the outside. Enclosure interior is finished in white powder coating.
- EFFECTIVE SEPTEMBER 24, 2018 - Cover and enclosure are phosphatized and finished in recoatable smooth ANSI 61 gray powder coating.
- Inner panel is finished in white powder coating.

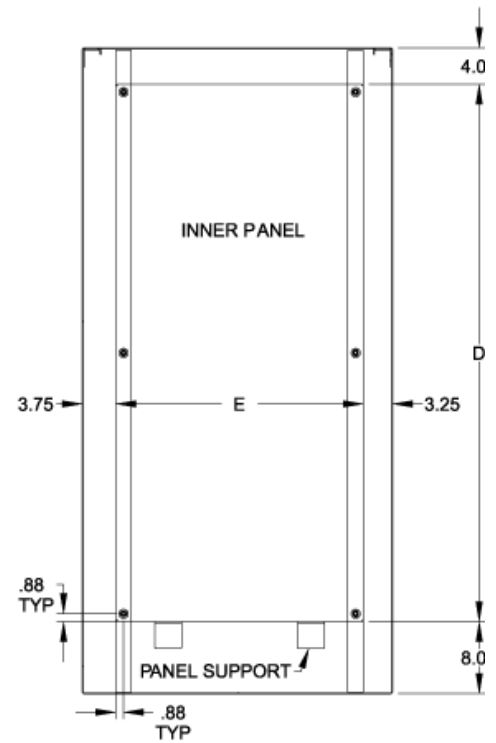
Accessories

- Flange Disconnect Operator Adaptor Kits
- Floor Stand Kit
- Climate Control
- General Accessories
- Door Stop Kit
- Window Kits
- Lighting

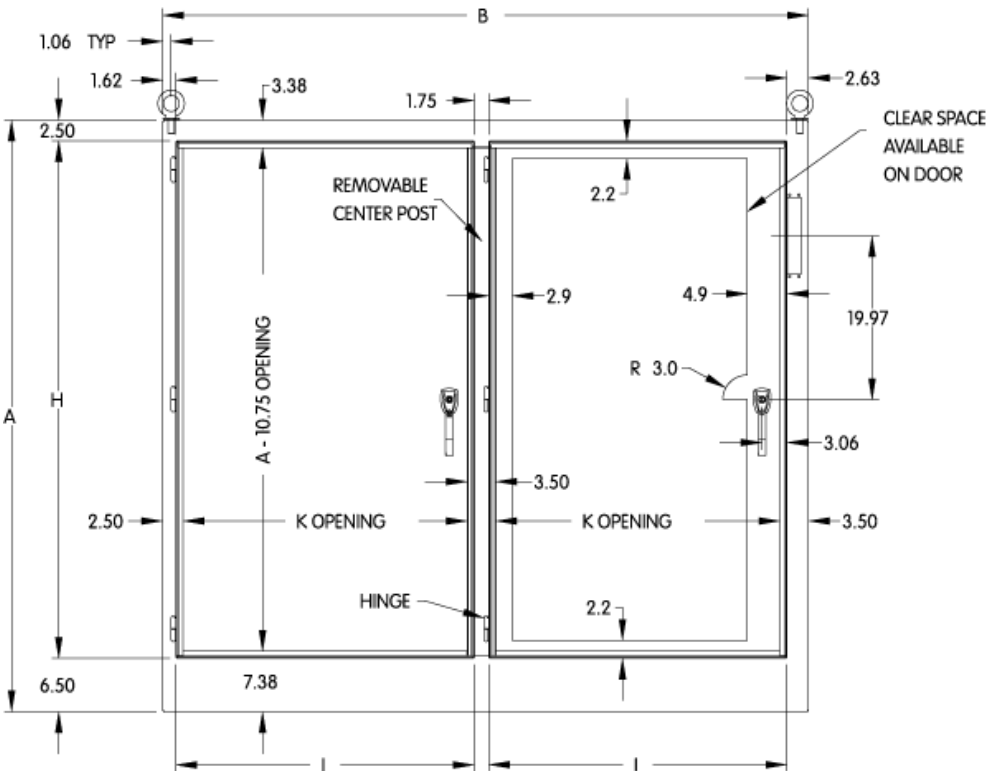


Front View

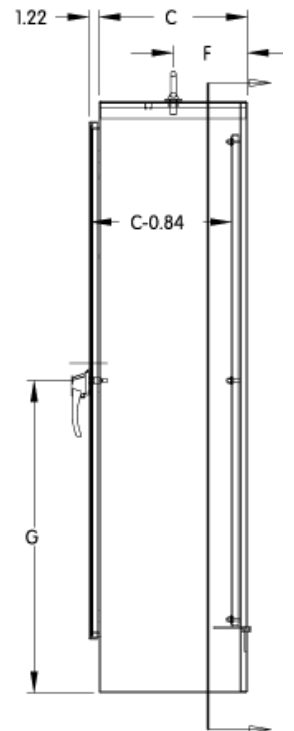
Side View



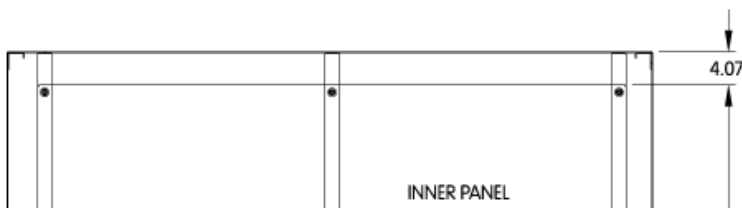
Rear View (Cross Section)

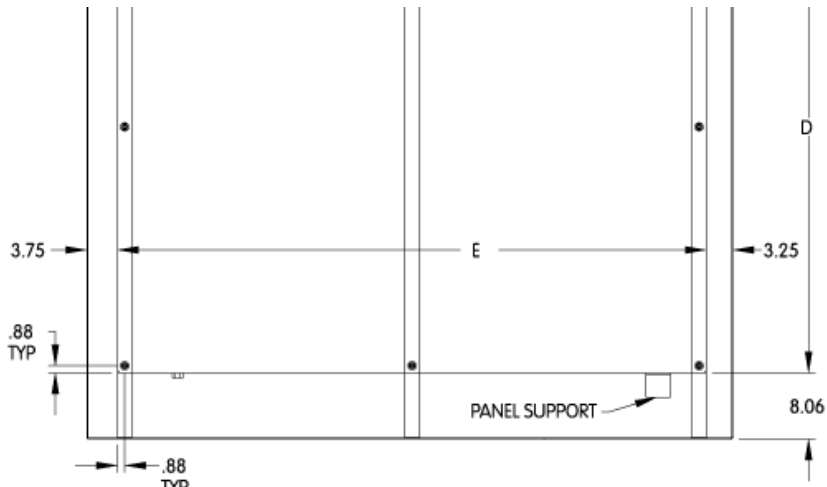


Front View

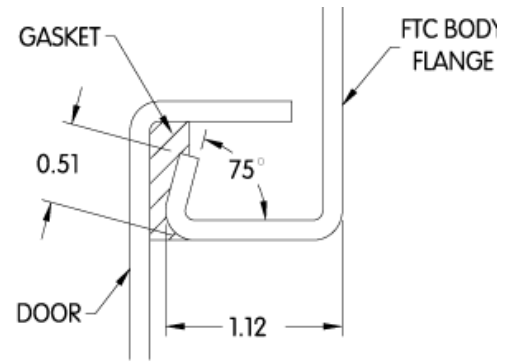


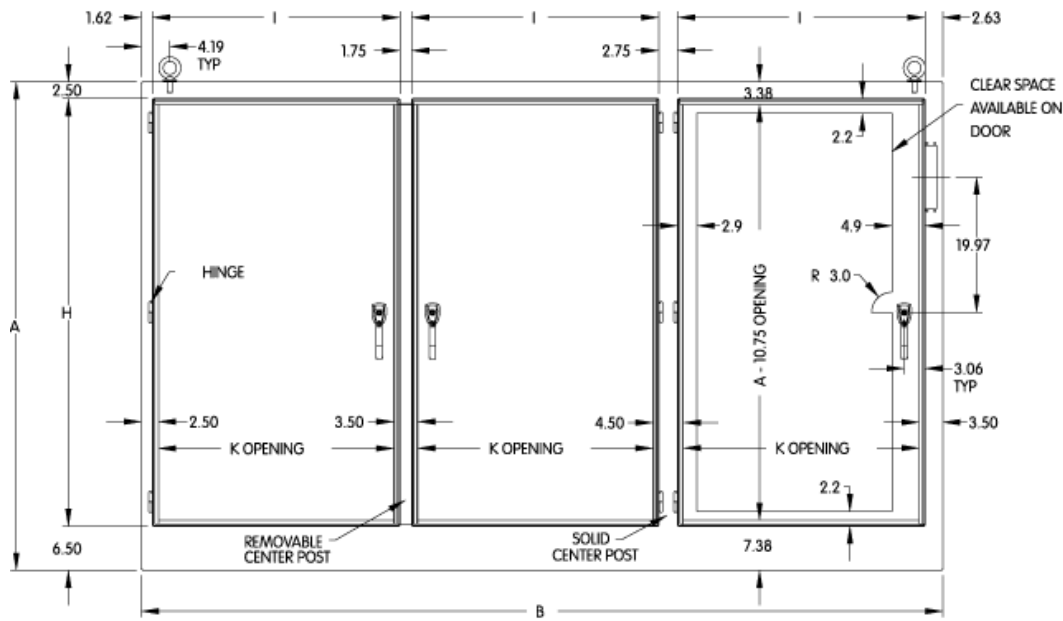
Side View



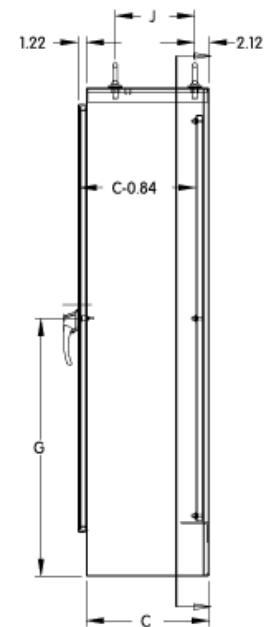


Rear View (Cross Section)

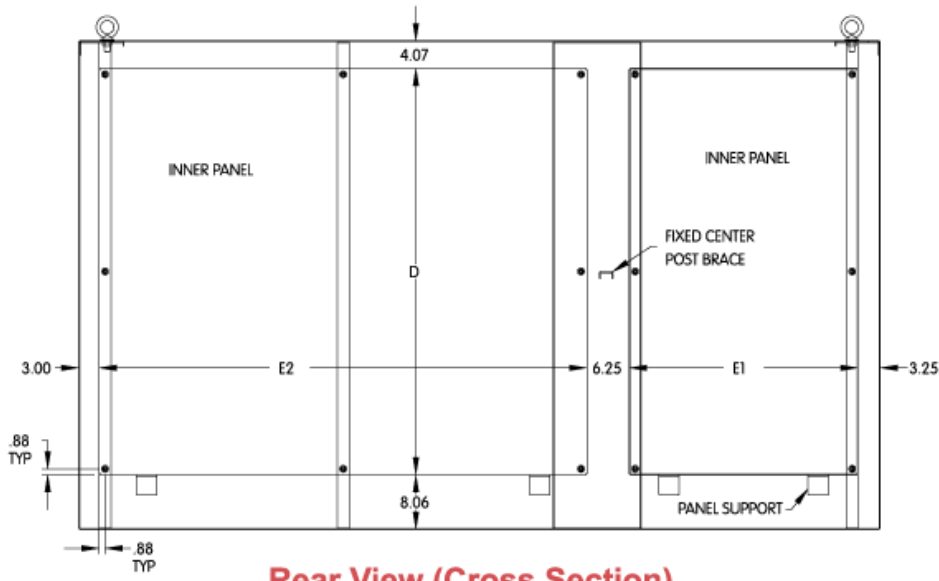




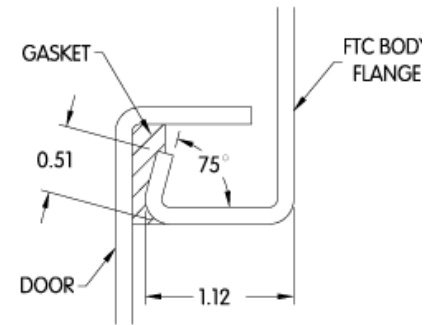
Front View

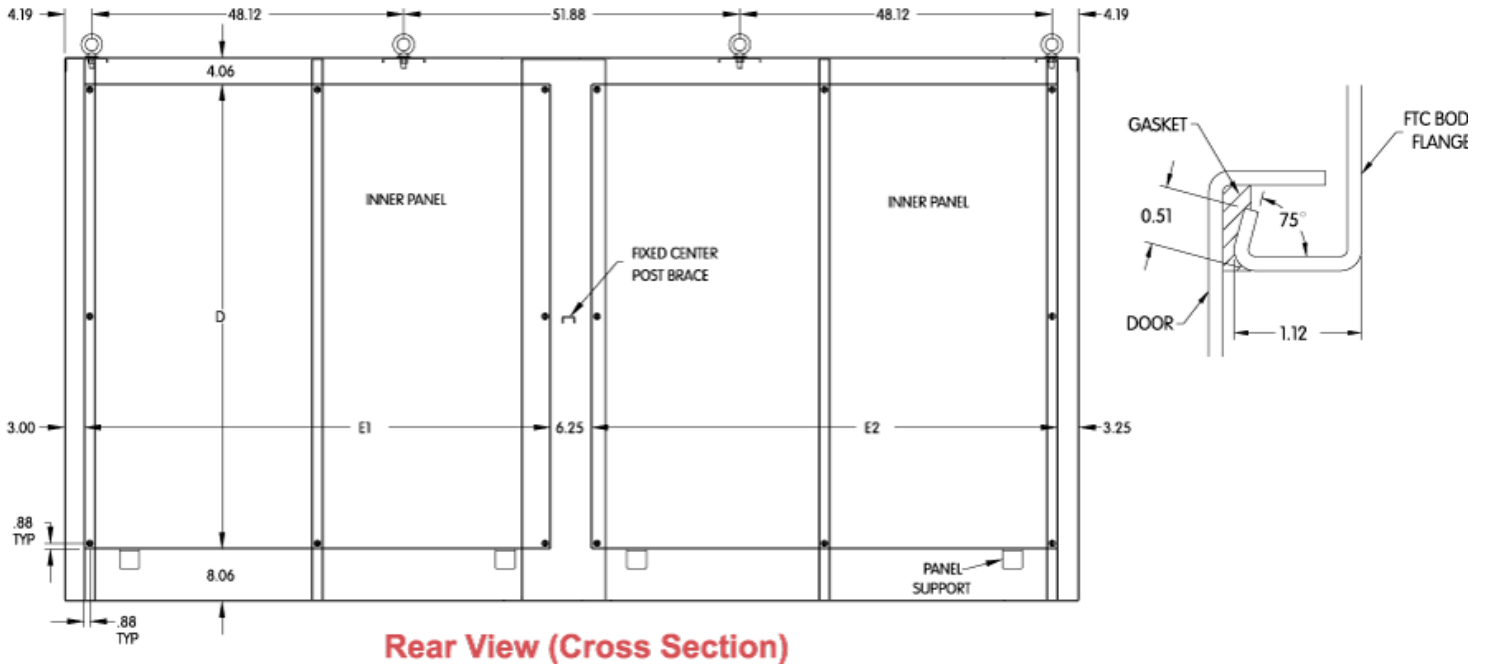
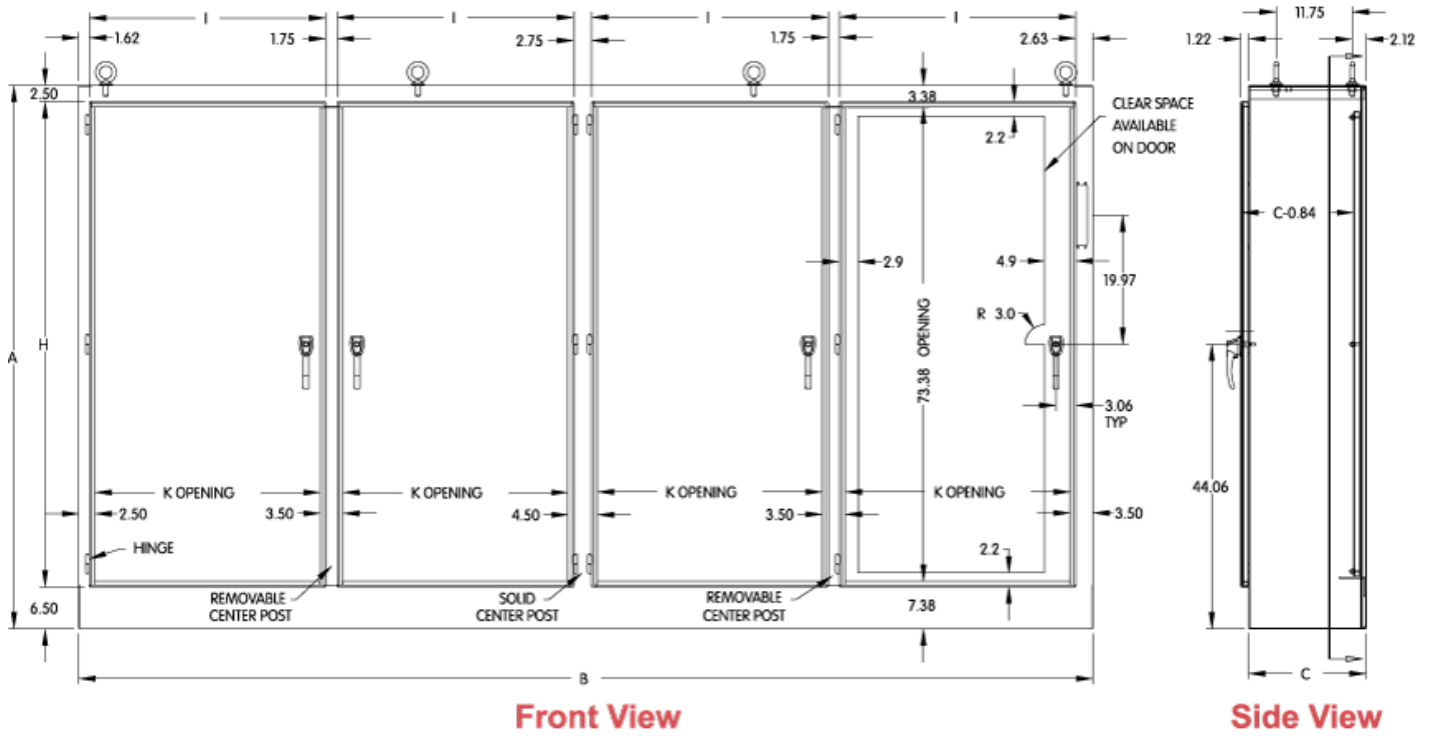


Side View



Rear View (Cross Section)





Single Door

| Part No. | Overall Dimensions | | | Panel Size | | | | | | |
|---------------|--------------------|-------|-------|------------|-------|-------|-------|-------|-------|-------|
| | A | B | C | D | E | F | G | H | I | K |
| 1UHD722918FTC | 72.13 | 28.75 | 18.13 | 60.00 | 21.75 | 9.06 | 38.06 | 63.13 | 24.50 | 22.75 |
| 1UHD723518FTC | 72.13 | 34.75 | 18.13 | 60.00 | 27.75 | 9.06 | 38.06 | 63.13 | 30.50 | 28.75 |
| 1UHD724118FTC | 72.13 | 40.75 | 18.13 | 60.00 | 33.75 | 9.06 | 38.06 | 63.13 | 36.50 | 34.75 |
| 1UHD844118FTC | 84.13 | 40.75 | 18.13 | 72.00 | 33.75 | 9.06 | 44.06 | 75.13 | 36.50 | 34.75 |
| 1UHD844124FTC | 84.13 | 40.75 | 24.13 | 72.00 | 33.75 | 12.06 | 44.06 | 75.13 | 36.50 | 34.75 |
| 1UHD904118FTC | 90.13 | 40.75 | 18.13 | 78.00 | 33.75 | 9.06 | 47.06 | 81.13 | 36.50 | 34.75 |
| 1UHD904120FTC | 90.13 | 40.75 | 20.13 | 78.00 | 33.75 | 10.06 | 47.06 | 81.13 | 36.50 | 34.75 |
| 1UHD904124FTC | 90.13 | 40.75 | 24.13 | 78.00 | 33.75 | 12.06 | 47.06 | 81.13 | 36.50 | 34.75 |

2 Door

| Part No. | Overall Dimensions | | | Panel Size | | | | | | |
|---------------|--------------------|-------|-------|------------|-------|-------|-------|-------|-------|-------|
| | A | B | C | D | E | F | G | H | I | K |
| 2UHD725518FTC | 72.13 | 55.00 | 18.13 | 60.00 | 48.00 | 9.06 | 38.06 | 63.13 | 24.50 | 22.75 |
| 2UHD726718FTC | 72.13 | 67.00 | 18.13 | 60.00 | 60.00 | 9.06 | 38.06 | 63.13 | 30.50 | 28.75 |
| 2UHD727918FTC | 72.13 | 79.00 | 18.13 | 60.00 | 72.00 | 9.06 | 38.06 | 63.13 | 36.50 | 34.75 |
| 2UHD727924FTC | 72.13 | 79.00 | 24.13 | 60.00 | 72.00 | 12.06 | 38.06 | 63.13 | 36.50 | 34.75 |
| 2UHD847918FTC | 84.13 | 79.00 | 18.13 | 72.00 | 72.00 | 9.06 | 44.06 | 75.13 | 36.50 | 34.75 |
| 2UHD847924FTC | 84.13 | 79.00 | 24.13 | 72.00 | 72.00 | 12.06 | 44.06 | 75.13 | 36.50 | 34.75 |
| 2UHD907918FTC | 90.13 | 79.00 | 18.13 | 78.00 | 72.00 | 9.06 | 47.06 | 81.13 | 36.50 | 34.75 |
| 2UHD907920FTC | 90.13 | 79.00 | 20.13 | 78.00 | 72.00 | 10.06 | 47.06 | 81.13 | 36.50 | 34.75 |
| 2UHD907924FTC | 90.13 | 79.00 | 24.13 | 78.00 | 72.00 | 12.06 | 47.06 | 81.13 | 36.50 | 34.75 |

3 Door

| Part No. | Overall Dimensions | | | Panel Size | | | | | | | |
|----------------|--------------------|--------|-------|------------|-------|-------|-------|-------|-------|-------|-------|
| | A | B | C | D | E1 | E2 | G | H | I | J | K |
| 3UHD7210118FTC | 72.13 | 100.25 | 18.13 | 60.00 | 27.75 | 60.00 | 38.06 | 63.13 | 30.50 | 11.75 | 28.75 |
| 3UHD7211918FTC | 72.13 | 118.25 | 18.13 | 60.00 | 33.75 | 72.00 | 38.06 | 63.13 | 36.50 | 11.75 | 34.75 |
| 3UHD8411918FTC | 84.13 | 118.25 | 18.13 | 72.00 | 33.75 | 72.00 | 44.06 | 75.13 | 36.50 | 11.75 | 34.75 |
| 3UHD8411924FTC | 84.13 | 118.25 | 24.13 | 72.00 | 33.75 | 72.00 | 44.06 | 75.13 | 36.50 | 17.75 | 34.75 |
| 3UHD9011924FTC | 90.13 | 118.25 | 24.13 | 78.00 | 33.75 | 72.00 | 47.06 | 81.13 | 36.50 | 17.75 | 34.75 |

4 Door

| Part No. | Overall Dimensions | | | Panel Size | | | | | | |
|----------------|--------------------|--------|-------|------------|-------|-------|-------|-------|-------|--|
| | A | B | C | D | E1 | E2 | H | I | K | |
| 4UHD8415718FTC | 84.13 | 156.50 | 18.13 | 72.00 | 72.00 | 72.00 | 75.13 | 36.50 | 34.75 | |
| 4UHD9015718FTC | 90.13 | 156.50 | 18.13 | 78.00 | 72.00 | 72.00 | 81.13 | 36.50 | 34.75 | |

Data subject to change without notice

© 2018. Hammond Manufacturing Ltd. All rights reserved.

X-ON Electronics

Largest Supplier of Electrical and Electronic Components

Click to view similar products for [Electrical Enclosures](#) category:

Click to view products by [Hammond](#) manufacturer:

Other Similar products are found below :

[120-902](#) [120-905](#) [120-403](#) [120-475](#) [120-901](#) [127-410](#) [130-007](#) [130-504](#) [130-506](#) [MR-25L+](#) [30-8739](#) [PIP-11774SCREW](#) [30-9715](#) [MR-25LW+](#) [110-407](#) [111-004](#) [111-008](#) [110-402](#) [110-901](#) [110-907](#) [111-002](#) [110-406](#) [110-910](#) [110-404](#) [110-409](#) [110-410](#) [120-405](#) [106-009](#) [106-505](#) [105-401](#) [106-006](#) [104-406](#) [137-002](#) [105-405](#) [111-005](#) [127-909](#) [106-502](#) [130-475](#) [130-503](#) [127-401](#) [106-010](#) [127-455](#) [127-475](#) [110-903](#) [R260-180-300](#) [9511020](#) [9822029](#) [9820014](#) [P61603000P](#) [9823009](#)