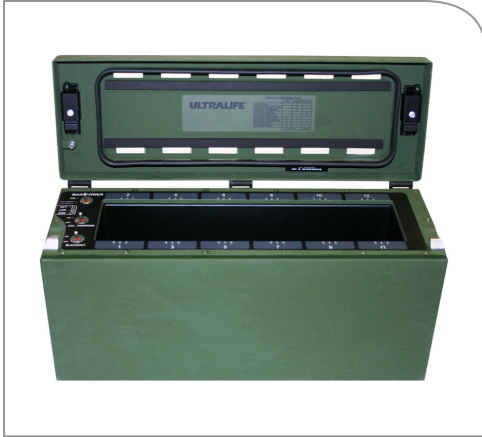


CH0012

Technical Datasheet



Features

- Smart charger, level 3
- SmartCircuit® technology providing advanced solutions not available from traditional batteries and chargers
- LED display at each battery position
- Ethernet connectivity available (see note)
- Battery calibration
- Integrated mounting brackets for mounting to vehicle or other fixture
- MIL-STD-1275 power compliant
- MIL-STD461E compliant
- Tested per MIL-STD-810E (specific sections, contact Ultralife)

Benefits

- Charge 12 batteries simultaneously
- Military tough
- Battery & charger communicated for optimum charging efficiency, battery life and safety
- Easy battery connection - no cords or cables required
- Batteries fully contained in charger during charge cycle

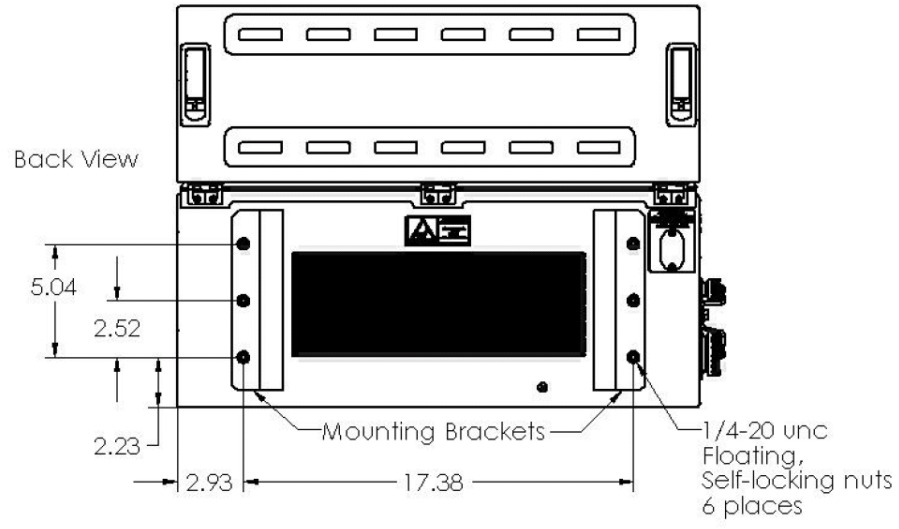
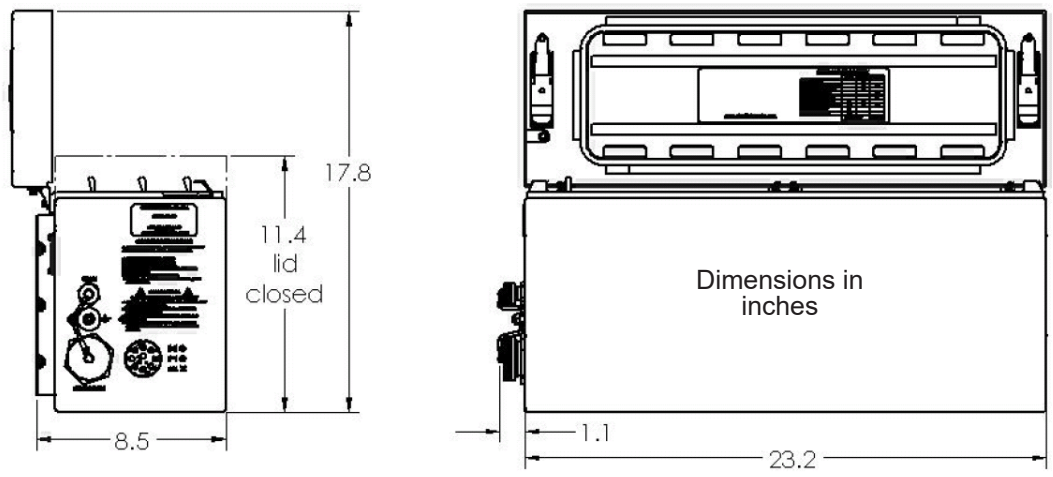
Applications

- Bulk charging for vehicle or depot settings
- Smart charger for UBBL06 (LI-145), UBBL06-01 (LI-175) batteries and UBBL08 (LI-80) battery with UAD002 adapter

Technical Specifications

Part No.	CH0012
NSN	6130-01-545-1981
DC Input	21.0 - 30.0VDC
User Interface	Power on LED Low power LED LED at each battery position
Connectors	Pogo pins for charge contacts D38999/24Wj11SN
Color	Green, CARC (chemical agent resistant coating)
Finish	Aluminum
Size	61.24cm (24.1in) L x 21.46cm (8.45in) W x 28.96cm (11.4in) H
Weight	17.24kg (38lbs) excluding batteries and power cable
Operating Temperature	0°C to 50°C
Storage Temperature	-25°C to 70°C
Export Control Classification Number	EAR99
Harmonized Tariff Schedule	8507.90.8000
Communication	SMBus spec v1.1, level 3 smart charger
Accessories Optional	CA0023 power cord, flying leads, CA0029 power cable, double end CA0017 DC power cable, NATO slave plug For other cables & options not list, contact Ultralife
Note	For Ethernet connectivity, a PC and custom software is required. Contact Ultralife for details.

Dimensions



X-ON Electronics

Largest Supplier of Electrical and Electronic Components

Click to view similar products for [Battery Chargers](#) category:

Click to view products by [Ultralife](#) manufacturer:

Other Similar products are found below :

[CH0011](#) [CB1210A](#) [PS-034052](#) [GP X411 AA/AAA + 4X R6 2700MAH RECYKO](#) [CB123A](#) [CB12245A](#) [DA60U-240A-R](#) [DA200U-250A-R](#)
[MC2](#) [MC1](#) [BQ-CC55E](#) [VP4 PLUS DRAGON](#) [LCD MULTI CHARGER](#) [MINI-CHARGER](#) [5V 2.1A](#) [PB320](#) [PB50](#) [PB550 + 4XAA](#)
[2700MAH](#) [VC4](#) [POCKET-CHARGER + 4XAA 2100MAH](#) [PB-300P-12](#) [VC2](#) [MINI CHARGER + 2XAA 2100MAH](#) [CHFC3](#) [GC30U-5P1J](#)
[TSP-BCM48](#) [SBP-001](#) [PB-300N-12](#) [GC30B-11P1J](#) [GC220A12-AD1](#) [PSC-122000A-C](#) [TSP-BCM12](#) [TSP-BCM360](#) [TSP-BCM48A](#) [H-](#)
[TRONIC AL 2000PLUS](#) [H-TRONIC HTDC 5000](#) [ES240J](#) [ES360A](#) [LS-CR45-PQ](#) [LS-CR45-PD WHITE](#) [5V 1A](#) [PB2 BLUE](#) [SC1](#) [SC2](#) [X2](#)
[X4](#) [CEF14 2XAA 2XAAA](#) [CEF27 2XAA 2XAAA](#) [CL14.4VDC-0.4A](#) [CL14.4VDC-0.7A](#)