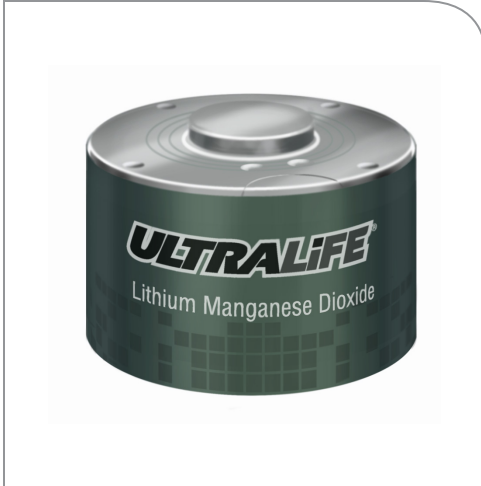


BA-5367/U

Technical Datasheet



Features

- High energy density
- No voltage delay
- Wide operating temperature range
- Lightweight
- Up to 10-year shelf life
- Long operating life
- Cell is hermetically sealed Ni-plated steel can

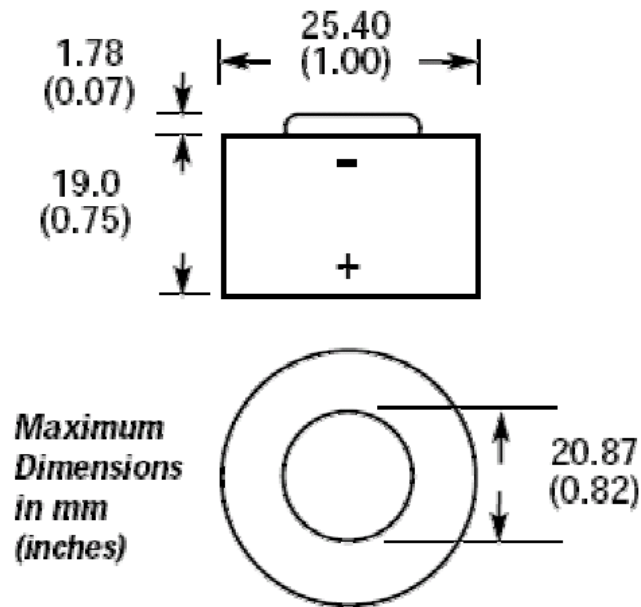
Applications

- Alternative for BA-5567/U (NSN: 6135-01-447-5082)
- Consumer telematics
- Commercial telematics
- Search & rescue devices
- Military Communications, detectors and imaging
- Medical devices

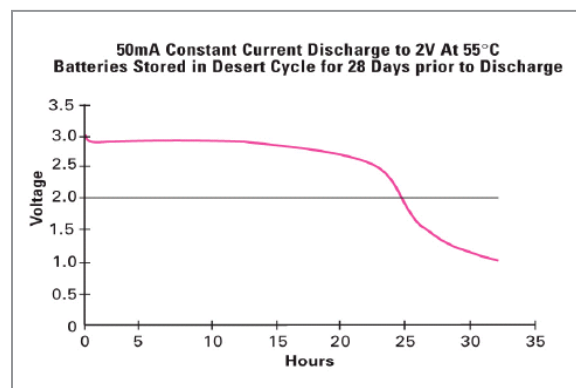
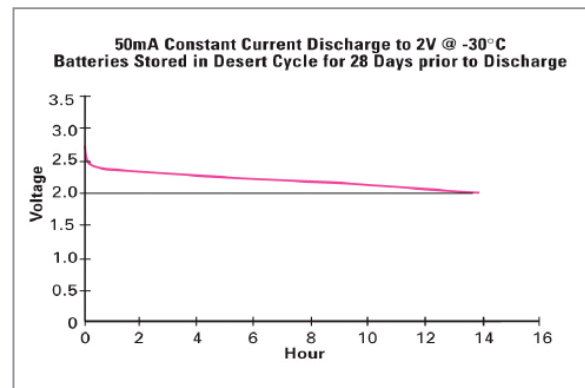
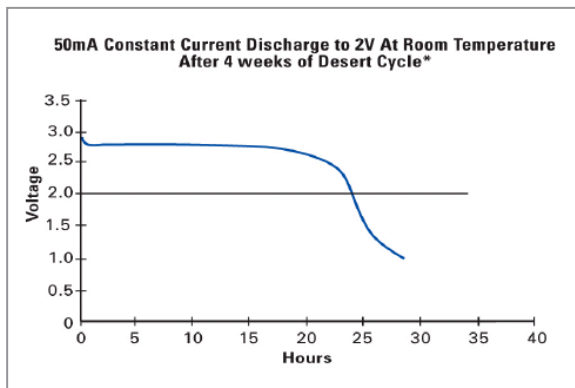
Technical Specifications

Part No.	UB0006
NSN	6135-01-507-1135
Voltage Range	1.5 to 3.3V
Average Voltage	3.0V
Nominal Capacity	1.3Ah @ 50mA to 2.0V @ 23°C
Max. Discharge	380mA continuous
Pulse Capability	Up to 800mA Varies according to pulse characteristics, temperature, cell history and the application. Consult Ultralife.
Weight	22.0g
Operating Temperature	-40°C to 72°C
Storage Temperature	-40°C to 95°C
Exterior/Housing	Plastic sleeve
Terminals/Connector	Nickel plated contacts
Safety	Material Safety Datasheet - MSDS023 Safety Guide UBM-5135
Transportation	Excepted from regulations for packages with gross mass of 2.5kg or less (see note) UN Testing Summary - UNTS-0076
Export License	ECCN 3A611.x export license required to export from U.S.
Harmonized Tariff Schedule	8506.50.0000
Note	A complete description of transportation regulations, lithium weights and transportation classifications is available on the Ultralife website.

Dimensions



Performance Graphs



* Desert Cycle: 24 hour cycle between 35°C and 71°C

X-ON Electronics

Largest Supplier of Electrical and Electronic Components

Click to view similar products for [Consumer Battery & Photo Battery](#) category:

Click to view products by [Ultralife](#) manufacturer:

Other Similar products are found below :

[6LR61AD/B](#) [2909830](#) [CR-2PA/1B](#) [LR20XWA/BB](#) [CR-123APA/1B](#) [LR6XWA/3SB](#) [MN1300](#) [LR14XWA/BB](#) [LR20XWA/B](#) [MN1604](#)
[MN2400](#) [LR03XWA/B](#) [LR14XWA/B](#) [LR6XWA/B](#) [PC1604](#)