

UBBL19

Technical Datasheet



Technical Specifications	
Part No.	UBBL19-FL or UBBL19-C1
Voltage Range	3.0 to 4.2V
Average Voltage	3.6V
Capacity	2.4Ah @ C/5 Rate @ 23°C±2°C
Max. Discharge	2.5A continuous
PTC	Rated for 2.6A hold current @ 20°C
Energy	8.6Wh
Energy Density	172Wh/kg, 430Wh/l
Weight	~52g
Cycle Life	> 300 cycles @ C/5 to 80% of initial capacity
Memory	No Memory Effect
Operating Temperature	-20°C to 60°C
Storage Temperature	-20°C to 50°C
Self-Discharge	< 10% per month
Exterior/Housing	PVC Shrink Wrap
Terminals/Connector	FL: 22 AWG wire leads Red (+), Black (-) C1: JST Connector VHR-2N
Safety	Material Safety Datasheet - MSDS041 Safety Guide UBI-5112
Transportation	Exempted from regulations for packages with gross mass of 10kg or less (see note)
Protection Circuit Module and Fuses	Over Voltage Limit: 4.35±0.025V (per cell) Under Voltage Limit: 2.50±0.1V (per cell) Over Discharge Current Limit: 3.4 - 4.5A
Charging	Recommended charge rate is 466mA to 4.2V in a temperature range of 0°C to 45°C. Hold at 4.2V until current declines to 50mA. Maximum charge rate is 1.63A @ 23°±2°C.
Note	A complete description of transportation regulations, lithium weights and transportation classifications is available on the Ultralife website.

Features

- Off-the-shelf convenience
- Wire or connector terminals
- Full circuit protection
- Meets all UN transportation testing
- Long cycle life
- High energy density
- Wide operating temperature range
- Lightweight
- No memory effect

Applications

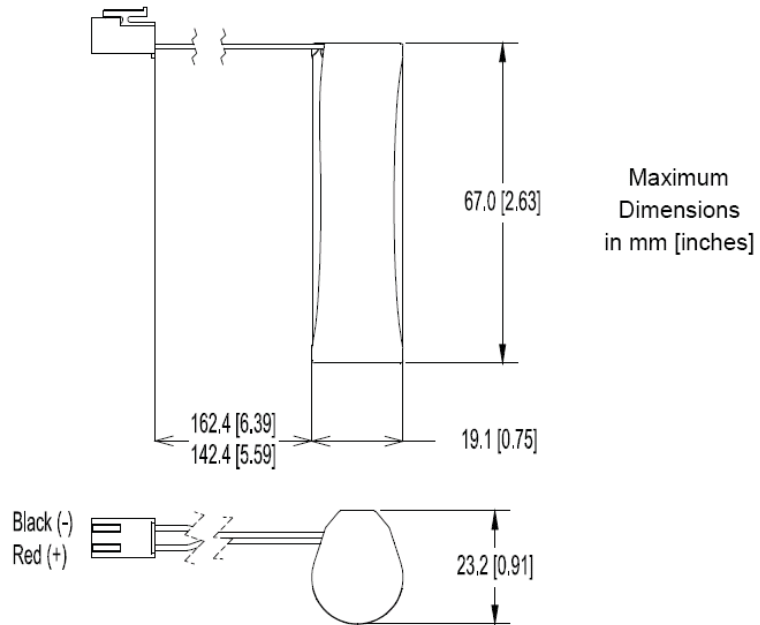
- Portable electronics
- Hand-held devices
- Medical equipment
- Back-up power

Accessories Optional

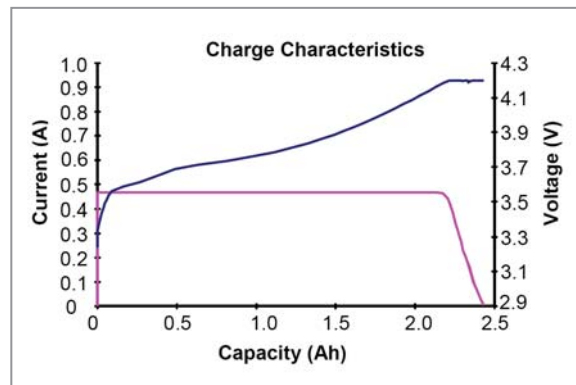
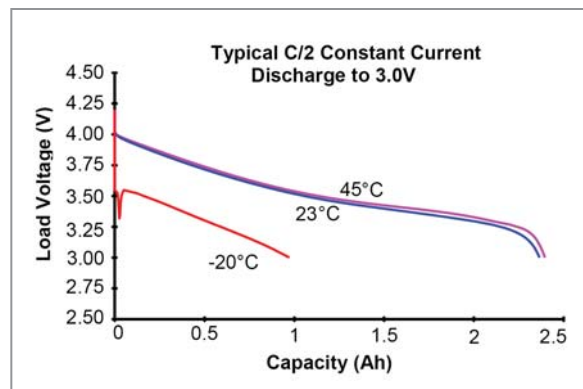
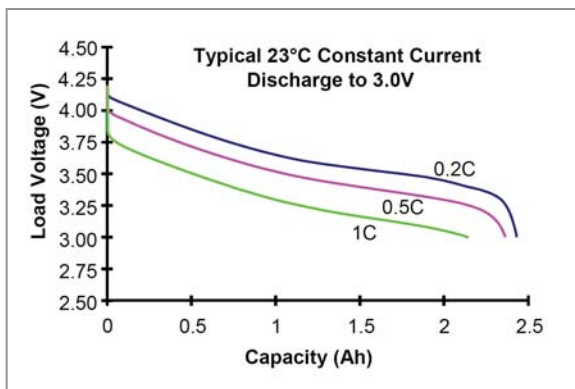
- UCH0036-S: Wall Wart charger (U.S.)
- UCH0036-I: Wall Wart charger (International)
- UCA0102-01: Interface cable for UBBL19-FL
- UCA0102-02: Interface cable for UBBL19-C1

Dimensions

UBBL19-FL: Wire Leads
 UBBL19-C1: Connector



Performance Graphs



X-ON Electronics

Largest Supplier of Electrical and Electronic Components

Click to view similar products for [Battery Packs](#) category:

Click to view products by [Ultralife](#) manufacturer:

Other Similar products are found below :

[R101-B](#) [31000-000067-RS](#) [4600 726 406](#) [4610 726 406](#) [312G-U1](#) [55615703012](#) [4606 726 406](#) [4607 726 406](#) [ZA13](#)
[LR03/AAA/MN2400\(K4\)](#) [LR03 MAXELL S4](#) [LR1130 MAXELL B10](#) [LR14-MN1400-C K2](#) [LR1/910A](#) [LR41 MAXELL B10](#) [LR43](#) [LR43](#)
[MAXELL B10](#) [LR6 MAXELL S4](#) [E23A](#) [E90](#) [625302](#) [625304](#) [637871](#) [638006](#) [6LF22/9V/MN1604\(K1\)C&B](#) [6LF22/9V/MN1604 PLUS](#)
[6LR61](#) [SR626SW MAXELL](#) [SR920SW MAXELL](#) [7K67 J](#) [55615303059](#) [220AAH-B AA](#) [GP14A S2](#) [GP 15AU ULTRA PLUS B4](#) [GP15E](#)
[GP1604GLF-2UE1](#) [GP 1604 ULTRA PLUS](#) [GP 24AU ULTRA PLUS B4](#) [10 ET](#) [675 ET](#) [11A B5](#) [A544](#) [A76-U10](#) [13G U2](#) [4112101411](#) [4](#)
[022 211 111](#) [GP24A/FO2 SUPER](#) [GP15A/F02 SUPER](#) [4 106 101 436](#) [4 014 211 111](#)