

# UBBL22

## Technical Datasheet



Technical Specifications	
<b>Part No.</b>	UBBL22-FL or UBBL22-C1 or UBBL22-C2-TH
<b>Voltage Range</b>	12.0 to 16.8V
<b>Average Voltage</b>	14.4V
<b>Capacity</b>	2.8Ah @ C/5 Rate @ 23°C±2°C
<b>Max. Discharge</b>	2.5A continuous
<b>PTC</b>	Rated for 2.6A Hold Current @ 20°C
<b>Energy</b>	41.8Wh
<b>Energy Density</b>	180Wh/kg, 432Wh/l
<b>Weight</b>	~200g
<b>Cycle Life</b>	> 300 cycles @ C/5 to 80% of initial capacity
<b>Memory</b>	No Memory Effect
<b>Operating Temperature</b>	-20°C to 60°C
<b>Storage Temperature</b>	-20°C to 50°C
<b>Self-Discharge</b>	< 10% per month
<b>Exterior/Housing</b>	PVC Shrink Wrap
<b>Terminals/Connector</b>	FL: 22 AWG wire leads Red (+), Black (-) C1: JST Connector VHR-2N C2-TH: Molex Microfit 3 pn w/Thermistor 10K
<b>Certifications</b>	IEC 62133-2:2017 Certificate # BE-35150
<b>Safety</b>	Material Safety Datasheet - MSDS041 Safety Guide UBM-5112
<b>Transportation</b>	Excepted from regulations for packages with gross mass of 10kg or less (see note)
<b>Protection Circuit Module and Fuses</b>	Over Voltage Limit: 4.35±0.025V (per cell) Under Voltage Limit: 2.30±0.1V (per cell) Over Discharge Current Limit: 3.6 - 6.0A
<b>Charging</b>	Recommended charge rate is 466mA to 16.8V in a temperature range of 0°C to 45°C. Hold at 16.8V until current declines to 50mA. Maximum charge rate is 1.63A @ 23°C±2°C.
<b>Note</b>	A complete description of transportation regulations, lithium weights and transportation classifications is available on the Ultralife website.

### Features

- Off-the-shelf convenience
- Wire or connector terminals
- Full circuit protection
- Meets all UN transportation testing
- Long cycle life
- High energy density
- Wide operating temperature range
- Lightweight

### Applications

- Portable electronics
- Hand-held devices
- Medical equipment
- Back-up power

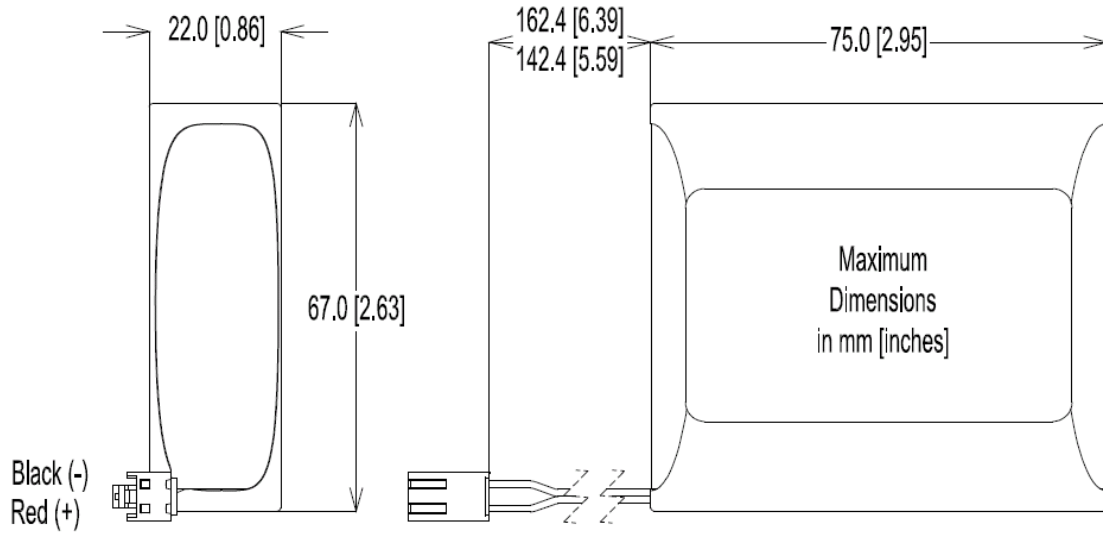
### Accessories Optional

- UCH0039-S: Wall Wart charger (U.S.)
- UCH0039-I: Wall Wart charger (International)
- UCA0102-01: Interface cable for UBBL22-FL
- UCA0102-02: Interface cable for UBBL22-C1

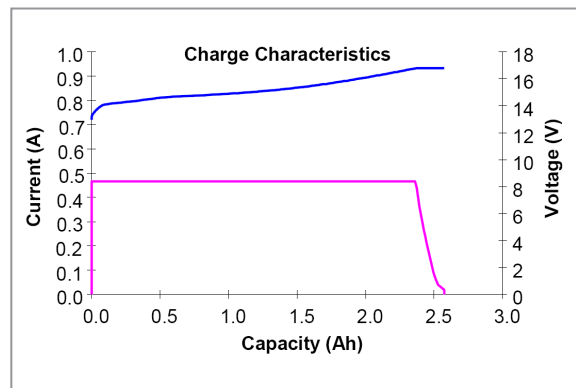
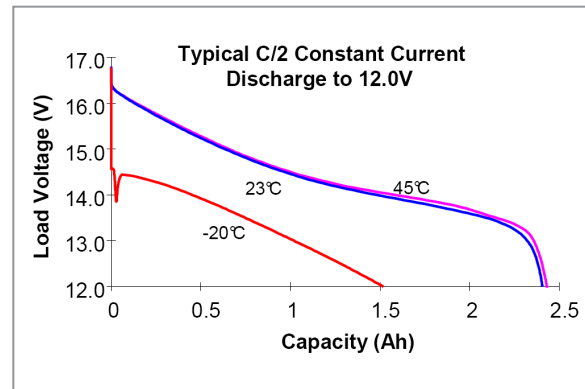
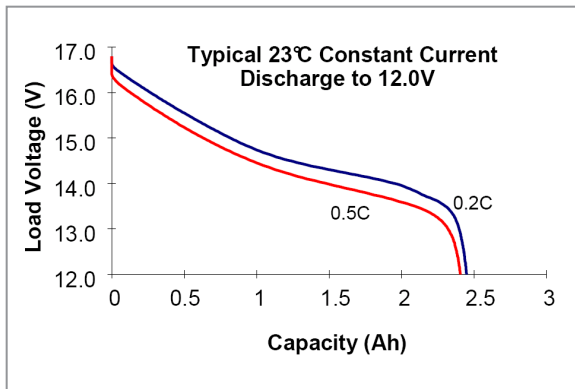
# Dimensions



UBBL22-FL: Wire Leads  
 UBBL22-C1: Connector



# Performance Graphs



## X-ON Electronics

Largest Supplier of Electrical and Electronic Components

*Click to view similar products for [Battery Packs](#) category:*

*Click to view products by [Ultralife](#) manufacturer:*

Other Similar products are found below :

[R101-B](#) [31000-000067-RS](#) [4600 726 406](#) [4610 726 406](#) [312G-U1](#) [55615703012](#) [4606 726 406](#) [4607 726 406](#) [ZA13](#)  
[LR03/AAA/MN2400\(K4\)](#) [LR03 MAXELL S4](#) [LR1130 MAXELL B10](#) [LR14-MN1400-C K2](#) [LR1/910A](#) [LR41 MAXELL B10](#) [LR43](#) [LR43](#)  
[MAXELL B10](#) [LR6 MAXELL S4](#) [E23A](#) [E90](#) [625302](#) [625304](#) [637871](#) [638006](#) [6LF22/9V/MN1604\(K1\)C&B](#) [6LF22/9V/MN1604 PLUS](#)  
[6LR61](#) [SR626SW MAXELL](#) [SR920SW MAXELL](#) [7K67 J](#) [55615303059](#) [220AAH-B AA](#) [GP14A S2](#) [GP 15AU ULTRA PLUS B4](#) [GP15E](#)  
[GP1604GLF-2UE1](#) [GP 1604 ULTRA PLUS](#) [GP 24AU ULTRA PLUS B4](#) [10 ET](#) [675 ET](#) [11A B5](#) [A544](#) [A76-U10](#) [13G U2](#) [4112101411](#) [4](#)  
[022 211 111](#) [GP24A/FO2 SUPER](#) [GP15A/F02 SUPER](#) [4 106 101 436](#) [4 014 211 111](#)