

8 7 6 5 4 3 2 1

INSPECTION 8 SHEET 1 OF 1

DRWN: Terry CHKD: Schumi APPD: Jason MATL: 3091-10XXX1

DATE: Jul,05,2012 ECN NO.: 12035 REV: A

NAME: Terry ECN NO.: 14026 REV: B

TOLERENCE LINEAR ANGLES X.XX±0.10 X.XX±0.15 X.XX±0.20 X.± X.± X.±

TITLE: PCI EXPRESS CARD EDGE, 1.0mm PITCH, R/A TYPE PART NO.: 3091-10XXX1

DONGGUAN UMAXCONN ENTERPRISE LIMITED Umax conn 东莞市友贸实业有限公司

UNITS: MM SCALE: SHEET: REV: B

Q'TY: FINISH: 3091-10XXX1

DRWN: Terry CHKD: Schumi APPD: Jason MATL: 3091-10XXX1

DATE: Jul,05,2012 ECN NO.: 12035 REV: A

NAME: Terry ECN NO.: 14026 REV: B

TOLERENCE LINEAR ANGLES X.XX±0.10 X.XX±0.15 X.XX±0.20 X.± X.± X.±

TITLE: PCI EXPRESS CARD EDGE, 1.0mm PITCH, R/A TYPE PART NO.: 3091-10XXX1

DONGGUAN UMAXCONN ENTERPRISE LIMITED Umax conn 东莞市友贸实业有限公司

UNITS: MM SCALE: SHEET: REV: B

Q'TY: FINISH: 3091-10XXX1

DRWN: Terry CHKD: Schumi APPD: Jason MATL: 3091-10XXX1

DATE: Jul,05,2012 ECN NO.: 12035 REV: A

NAME: Terry ECN NO.: 14026 REV: B

TOLERENCE LINEAR ANGLES X.XX±0.10 X.XX±0.15 X.XX±0.20 X.± X.± X.±

TITLE: PCI EXPRESS CARD EDGE, 1.0mm PITCH, R/A TYPE PART NO.: 3091-10XXX1

DONGGUAN UMAXCONN ENTERPRISE LIMITED Umax conn 东莞市友贸实业有限公司

UNITS: MM SCALE: SHEET: REV: B

Q'TY: FINISH: 3091-10XXX1

DRWN: Terry CHKD: Schumi APPD: Jason MATL: 3091-10XXX1

DATE: Jul,05,2012 ECN NO.: 12035 REV: A

NAME: Terry ECN NO.: 14026 REV: B

TOLERENCE LINEAR ANGLES X.XX±0.10 X.XX±0.15 X.XX±0.20 X.± X.± X.±

TITLE: PCI EXPRESS CARD EDGE, 1.0mm PITCH, R/A TYPE PART NO.: 3091-10XXX1

DONGGUAN UMAXCONN ENTERPRISE LIMITED Umax conn 东莞市友贸实业有限公司

UNITS: MM SCALE: SHEET: REV: B

Q'TY: FINISH: 3091-10XXX1

DRWN: Terry CHKD: Schumi APPD: Jason MATL: 3091-10XXX1

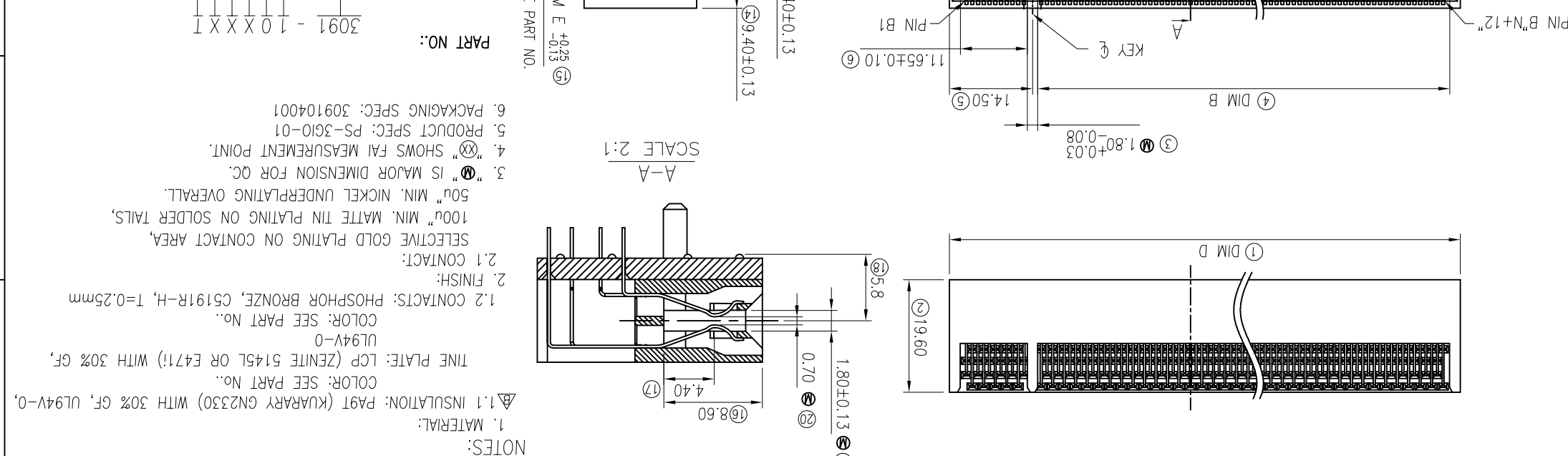
DATE: Jul,05,2012 ECN NO.: 12035 REV: A

NAME: Terry ECN NO.: 14026 REV: B

TOLERENCE LINEAR ANGLES X.XX±0.10 X.XX±0.15 X.XX±0.20 X.± X.± X.±

TITLE: PCI EXPRESS CARD EDGE, 1.0mm PITCH, R/A TYPE PART NO.: 3091-10XXX1

DONGGUAN UMAXCONN ENTERPRISE LIMITED Umax conn 东莞市友贸实业有限公司



NOTES:

1. MATERIAL: PA9T (KUARARY GN2330) WITH 30% GF, UL94V-0, COLOR: SEE PART No..
2. FINISH: TINE PLATE: LCP (ZENITE 5145L OR E4711) WITH 30% GF, COLOR: SEE PART No..
- 1.2 CONTACTS: PHOSPHOR BRONZE, C5191R-H, T=0.25mm
- 1.1 INSULATION: PA9T (KUARARY GN2330) WITH 30% GF, UL94V-0, COLOR: SEE PART No..
- SELECTIVE GOLD PLATING ON CONTACT AREA,
- 100" MIN. MATTE TIN PLATING ON SOLDER TAILS,
- 50" MIN. NICKEL UNDERPLATING OVERALL.
- "M" IS MAJOR DIMENSION FOR QC.
- "X" SHOWS FAI MEASUREMENT POINT.
5. PRODUCT SPEC: PS-3G10-01
6. PACKAGING SPEC: 309104001

PART NO.: 3091-10XXX1

Packing Options:

- T: Tray
- No. of Pins
- 0: 36P
- 1: 64P
- 2: 98P
- 3: 164P

Tail Length (DIM "E") / Type

- 0: 2.30mm
- 1: 3.10mm
- 2: 3.0u" Gold
- 1: 15u" Gold
- 2: 1u" Gold

Contact Plating

- 0: 2.30mm
- 1: 3.10mm
- 2: 98P
- 3: 164P

DIMENSIONS

POSITION	N	B ±0.15	C ±0.15	D ±0.23
36	6	7.65	9.15	25.00
64	20	21.65	23.15	39.00
98	37	38.65	40.15	56.00
164	70	71.65	73.15	89.00

X-ON Electronics

Largest Supplier of Electrical and Electronic Components

Click to view similar products for [Standard Card Edge Connectors](#) category:

Click to view products by [UMAX](#) manufacturer:

Other Similar products are found below :

[6565204-6](#) [PKC-156](#) [1437274-4](#) [147889-1](#) [1489165-4](#) [EBT156-12B1X](#) [EBT15622B2X](#) [EBT156-22R2W](#) [1-582587-1](#) [1-582589-1](#) [2-6437275-9](#) [284-0102-12100](#) [306022901000000](#) [307-012-502-202](#) [307-024-526-201](#) [307-056-520-300](#) [307-080-526-208](#) [1926088-2](#) [245-062-520-350](#) [287-0032-12101](#) [306-010-500-112](#) [306-028-525-102](#) [306-240-318](#) [307-036-502-202](#) [307-036-521-301](#) [307-072-526-202](#) [345-060-559-303](#) [368-004-520-201](#) [392-008-559-201](#) [534671-1](#) [5-530501-5](#) [341-240-317](#) [345-029-520-300](#) [345-030-500-301](#) [345-044-500-300](#) [345-220-058](#) [346-240-318](#) [387-012-523-300](#) [395-044-520-300](#) [395-100-524-300](#) [50-12B-10](#) [50-6SN-5](#) [09-07-2032](#) [10035388-106LF](#) [10035388-802LF](#) [10115859-011LF](#) [10122859-009LF](#) [101269333204245CLF](#) [10127905-B04B24BLF](#) [530555-1](#)