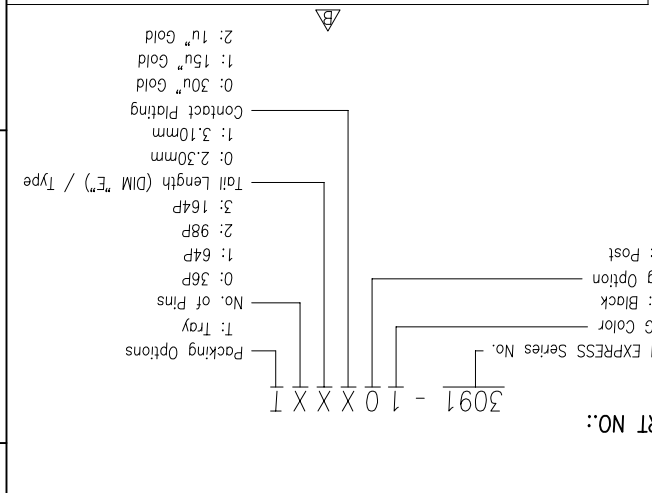
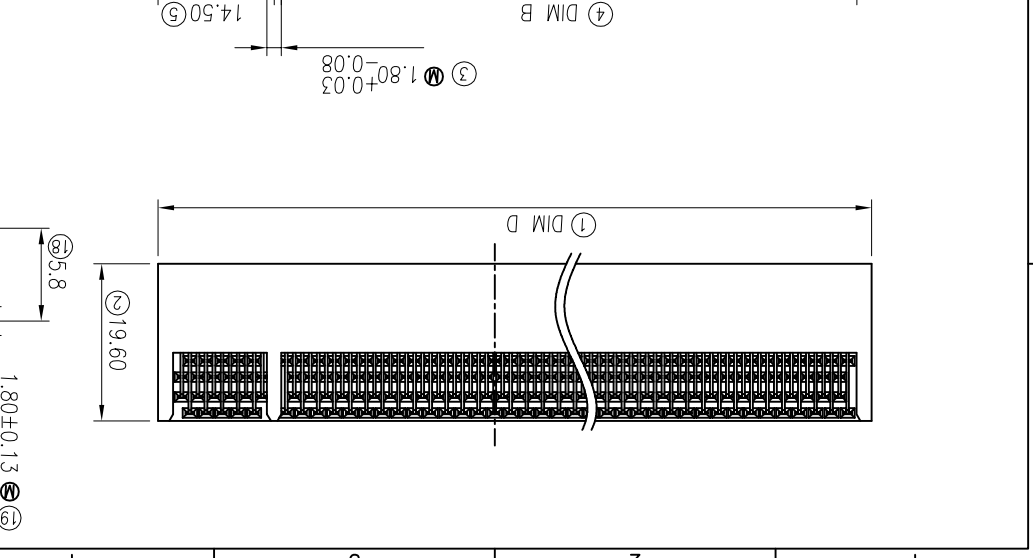
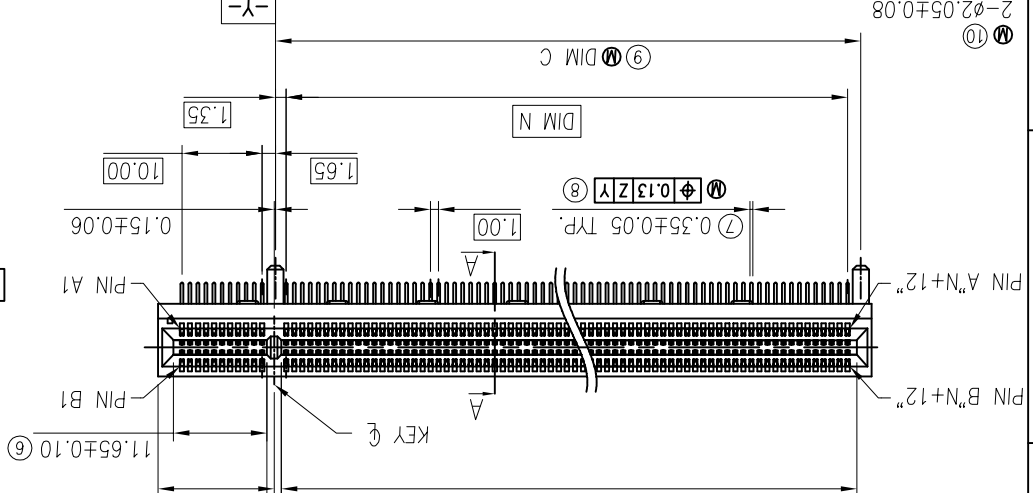
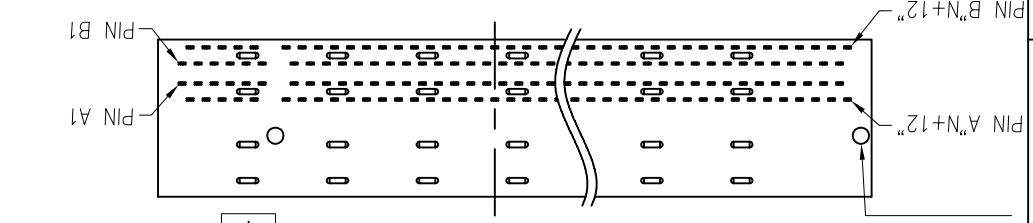
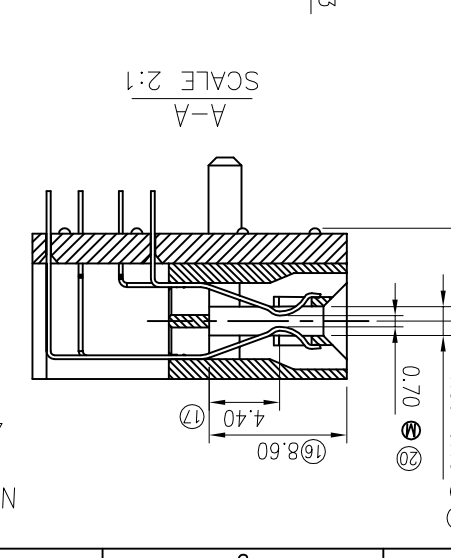
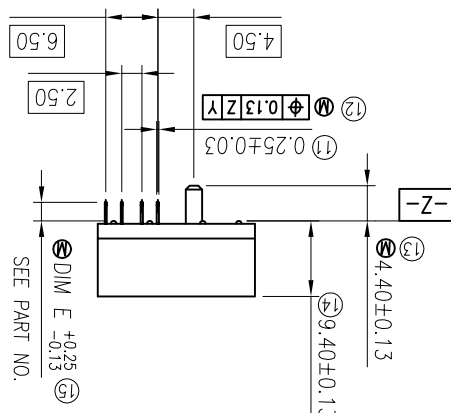


1	REV	ECON NO.	NAME	DATE	.XXX±.10	.XXX±	DRWN: Terry	Q'TY:	7	8
A	12035	Terry	Jul,05,2012	.XX±.15	.XX±	CHKD: Schumi	FINISH:	1: 1	1 OF 1	B
B	14026	Terry	Nov,13,2014	.X±.20	.X±	APPD: Jason	MAT'L:	SCALE	SHEET	REV
PART NO.		3091-10XXX1		DWG NO.		309105001				
TITLE:		PCI EXPRESS CARD EDGE,		1.0mm PITCH, R/A TYPE		DONGGUAN UMAXCONN ENTERPRISE LIMITED				
TOLERANCE		LINEAR		X.±.25		Umax				
ANGLES		X.±		DONGGUAN UMAXCONN ENTERPRISE LIMITED						

POSITION	N	B ±0.15	C ±0.15	D ±0.23
36	6	7.65	9.15	25.00
64	20	21.65	23.15	39.00
98	37	38.65	40.15	56.00
164	70	71.65	73.15	89.00



NOTES:
 1. MATERIAL: PA9T (KUARARY G2330) WITH 30% GF, UL94V-0, COLOR: SEE PART NO..
 TINE PLATE: LCP (ZENITE 5145L OR E471I) WITH 30% GF, COLOR: SEE PART NO..
 UL94V-0
 1.2 CONTACTS: PHOSPHOR BRONZE, C5191R-H, T=0.25mm
 2. FINISH:
 2.1 CONTACT:
 SELECTIVE GOLD PLATING ON CONTACT AREA,
 100u" MIN. MATTE TIN PLATING ON SOLDER TAILS,
 50u" MIN. NICKEL UNDERPLATING OVERALL.
 3. "M" IS MAJOR DIMENSION FOR QC.
 4. "X" SHOWS FAI MEASUREMENT POINT.
 5. PRODUCT SPEC: PS-3G10-01
 6. PACKAGING SPEC: 309104001



X-ON Electronics

Largest Supplier of Electrical and Electronic Components

Click to view similar products for [Standard Card Edge Connectors](#) category:

Click to view products by [UMAX](#) manufacturer:

Other Similar products are found below :

[6565204-6](#) [PKC-156](#) [1437274-4](#) [147889-1](#) [1489165-4](#) [EBT156-12B1X](#) [EBT15622B2X](#) [EBT156-22R2W](#) [1-582587-1](#) [1-582589-1](#) [2-6437275-9](#) [284-0102-12100](#) [306022901000000](#) [307-012-502-202](#) [307-024-526-201](#) [307-056-520-300](#) [307-080-526-208](#) [1926088-2](#) [245-062-520-350](#) [287-0032-12101](#) [306-010-500-112](#) [306-028-525-102](#) [306-240-318](#) [307-036-502-202](#) [307-036-521-301](#) [307-072-526-202](#) [345-060-559-303](#) [368-004-520-201](#) [392-008-559-201](#) [534671-1](#) [5-530501-5](#) [341-240-317](#) [345-029-520-300](#) [345-030-500-301](#) [345-044-500-300](#) [345-220-058](#) [346-240-318](#) [387-012-523-300](#) [395-044-520-300](#) [395-100-524-300](#) [50-12B-10](#) [50-6SN-5](#) [09-07-2032](#) [10035388-106LF](#) [10035388-802LF](#) [10115859-011LF](#) [10122859-009LF](#) [101269333204245CLF](#) [10127905-B04B24BLF](#) [530555-1](#)