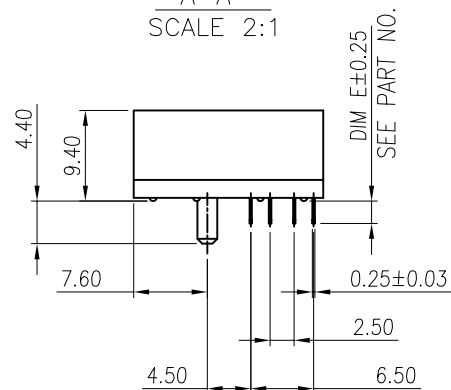
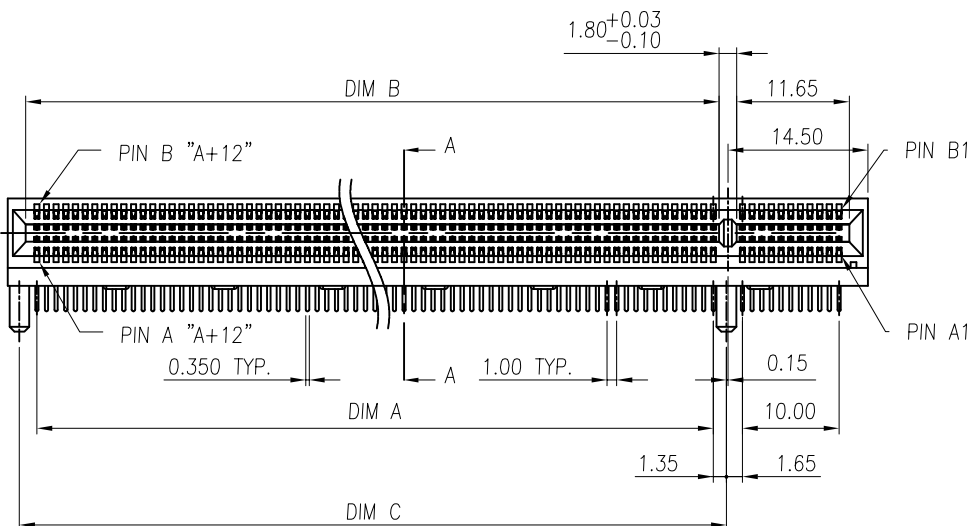


NOTES:

1. MATERIAL:
 - 1.1 INSULATION: HIGH TEMPERATURE THERMOPLASTIC, COLOR: SEE PART No..
 - 1.2 CONTACTS: COPPER ALLOY, T=0.25mm
2. FINISH:
 - 2.1 CONTACT: SELECTIVE GOLD PLATING ON THE CONTACT AREA, 100u" MIN. MATTE TIN PLATING ON THE SOLDER TAILS, 50u" MIN. NICKEL UNDERPLATING OVERALL.
3. PRODUCT SPEC: PS-3GIO-01
4. PACKAGING SPEC: 309104001

A-A
SCALE 2:1



PART NO.:

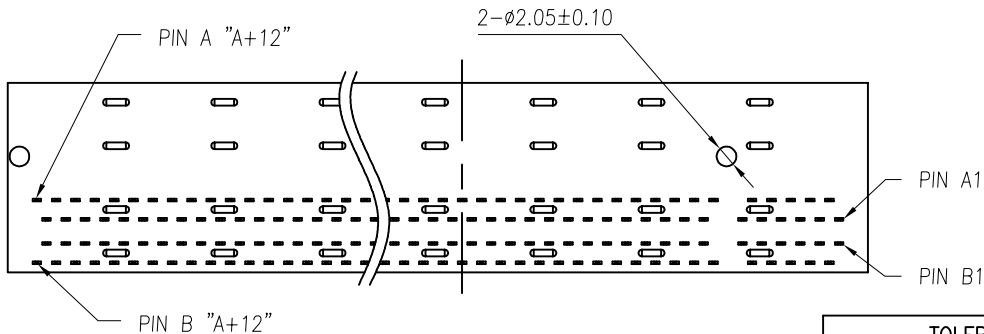
3091 - 1 0 X X X T

PCI EXPRESS Series No. Packing Options
T: Tray

HSG Color 1: Black No. of Pins
0: 36P
1: 64P
2: 98P
3: 164P

Peg Option 0: Post Tail Length (DIM "E")
0: 2.30mm
1: 3.10mm
2: 3.56mm

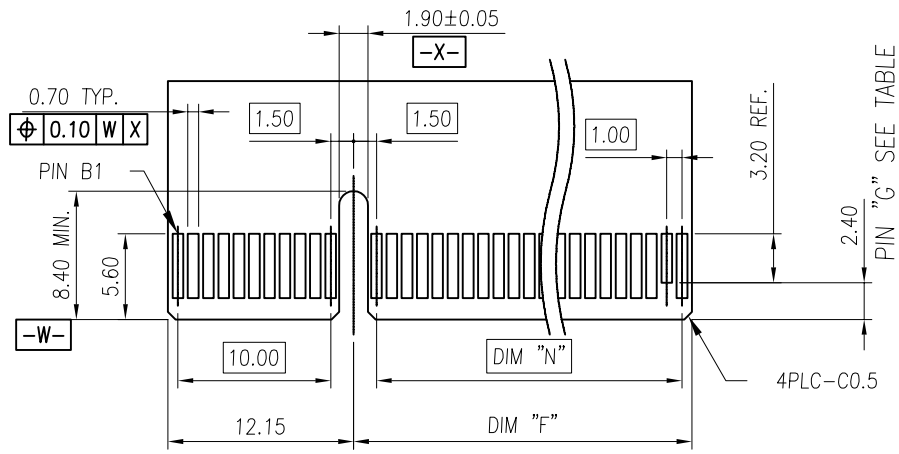
Contact Plating
0: 30u" Gold
1: 15u" Gold
2: G/F Gold



DIMENSIONS				
POSITION	A ±0.20	B ±0.20	C ±0.20	D ±0.25
36	6	7.65	9.15	25.00
64	20	21.65	23.15	39.00
98	37	38.65	40.15	56.00
164	70	71.65	73.15	89.00

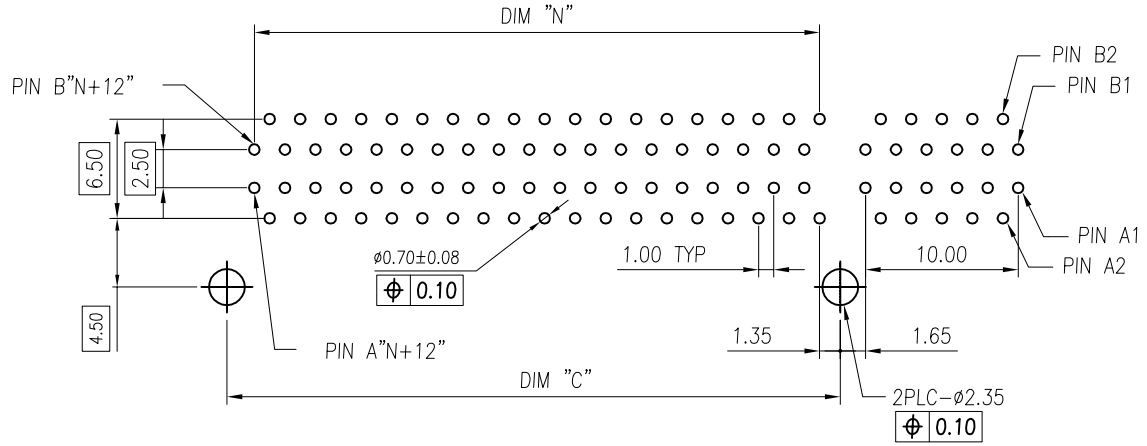
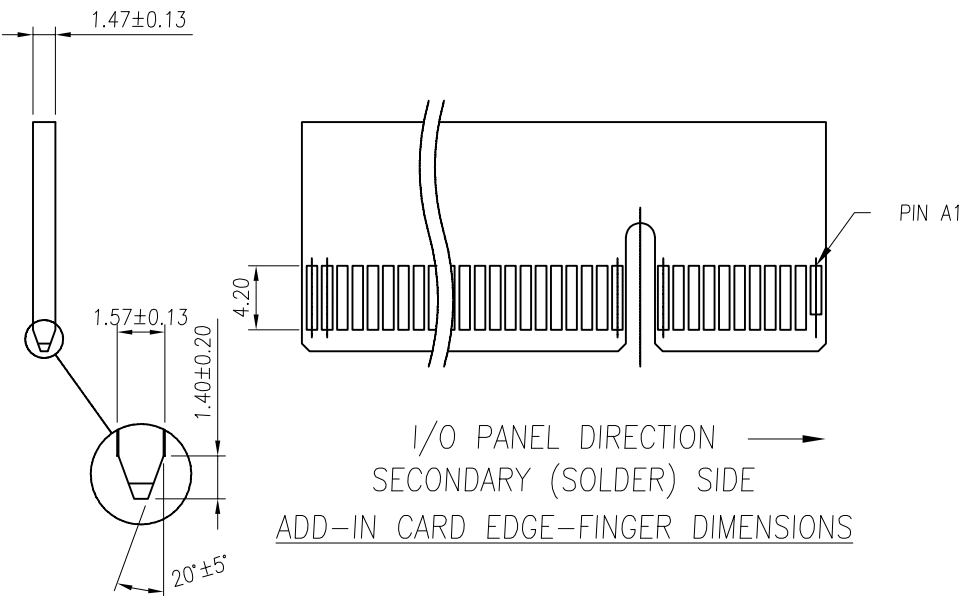
				TOLERANCE		UMax 东莞市友贸实业有限公司 DONGGUAN UMAX ENTERPRISE LIMITED	
				LINEAR	ANGLES		
C1	-----	Lei Songping	Jul,23,2022	X.±0.40	X'±	APPD:	Jason
C	14026	Terry	Nov,13,2014	.X±0.30	.X'±	CHKD:	Schumi
B	12035	Terry	Jul,05,2012	.XX±0.20	.XX'±	FINISH:	
REV	ECN NO.	NAME	DATE	.XXX±0.10	.XXX'±	DRWN:	Terry
						Q'TY:	

TITLE: PCI EXPRESS CARD EDGE, 1.0mm PITCH, R/A TYPE					
PART NO. 3091-10XXXT					
DWG NO. 309107001					
UNITS	MM	SCALE	1 : 1	SHEET	1 OF 2
	MM		1 : 1		1 OF 2
REV		C1			



DIMENSIONS				
POSITION	N	C	F ±0.20	G
36	6	9.15	8.15	B PIN#17
64	20	23.15	22.15	B PIN#31
98	37	40.15	39.15	B PIN#48
164	70	73.15	72.15	B PIN#81

I/O PANEL DIRECTION
PRIMARY (COMPONENT) SIDE



RECOMMENDED PCB LAYOUT (TOP VIEW)
TOLERANCE: ±0.05

				TOLERANCE		TITLE: PCI EXPRESS CARD EDGE, 1.0mm PITCH, R/A TYPE					
				LINEAR	ANGLES	PART NO. 3091-10XXXT					
				X.±	X'.±	DWG NO. 309107001					
				.X±	.X'±	APPD: Jason	UNITS SCALE SHEET REV				
				.XX±	.XX'±	CHKD: Schumi	MM 1 : 1 2 OF 2 C1				
				.XXX±	.XXX'±	DRWN: Terry	CUSTOMER				
REV	See Sheet 1	NAME	DATE	.XXX±	.XXX'±	APPD: Jason	MAT'L:	UNITS	SCALE	SHEET	REV
ECN NO.						CHKD: Schumi	FINISH:	MM	1 : 1	2 OF 2	C1
						DRWN: Terry	Q'TY:				

UMax conn 东莞市友贸实业有限公司
DONGGUAN UMAX ENTERPRISE LIMITED

X-ON Electronics

Largest Supplier of Electrical and Electronic Components

Click to view similar products for [Standard Card Edge Connectors](#) category:

Click to view products by [UMAX](#) manufacturer:

Other Similar products are found below :

[CR7E-30DB-3.96E\(72\)](#) [6565204-6](#) [1437274-4](#) [1-582587-1](#) [284-0102-12100](#) [286-0052-12101A](#) [306022901000000](#) [A6D22DS29C2](#) [1926088-2](#) [245-062-520-350](#) [287-0032-12101](#) [306-028-525-102](#) [307-072-526-202](#) [330-030-500-278](#) [345-060-559-303](#) [534671-1](#) [341-240-317](#) [345-044-500-300](#) [346-240-318](#) [C7D10DS29C1M133](#) [395-100-524-300](#) [09-07-2032](#) [10035388-802LF](#) [10115859-011LF](#) [10122859-009LF](#) [101269333204245CLF](#) [530555-1](#) [66925-516LF](#) [5145409-2](#) [73726-0005](#) [66308-1](#) [EBC05DRXN](#) [KSLX-62-BR](#) [CE100F26-7-C](#) [CE100F28-3-D](#) [CE100F28-4-D](#) [CE156F22-9-C](#) [CT100F24-3-D](#) [CT100F24-6-C](#) [MLSS100-12-C](#) [SCC100F-11-C](#) [SCC100F-20-C](#) [SCC100F-24-C](#) [SCC100F-25-C](#) [3-530656](#) [2512250177](#) [285-0112-12300](#) [346-068-556-300](#) [284-0492-11000](#) [287-0032-12301](#)