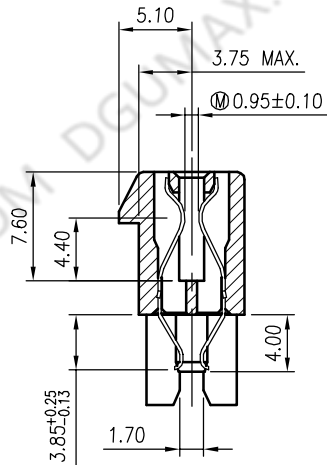
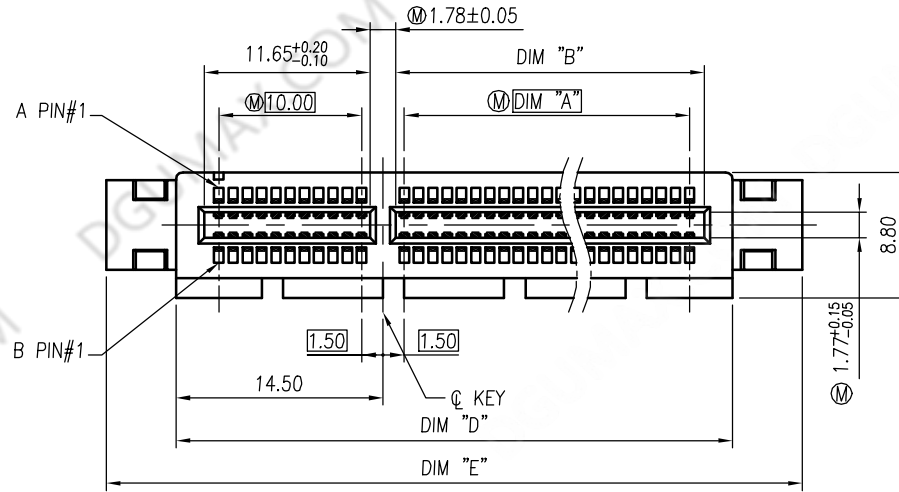
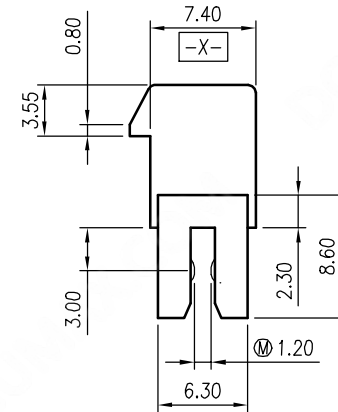
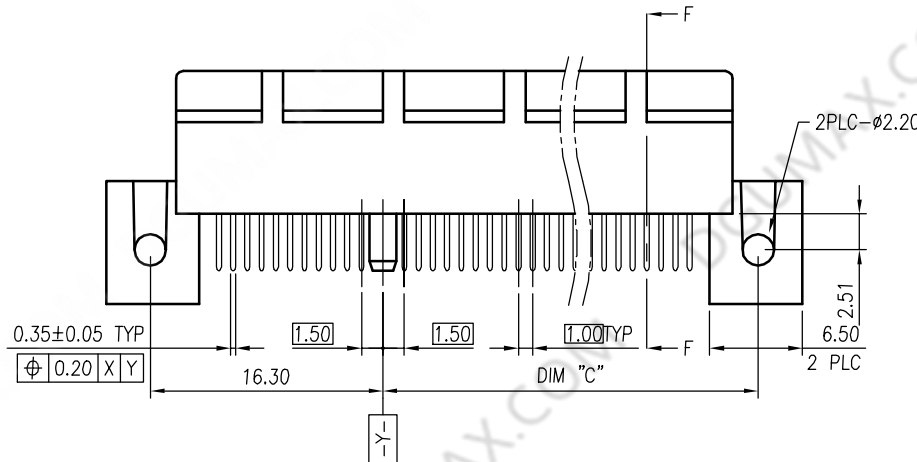


STRADDLE MOUNT

WITH MOUNTING EAR TYPE



SECTION F-F



NOTES:

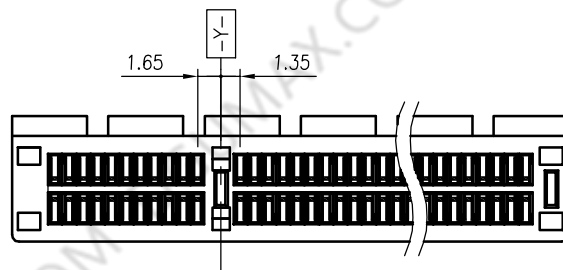
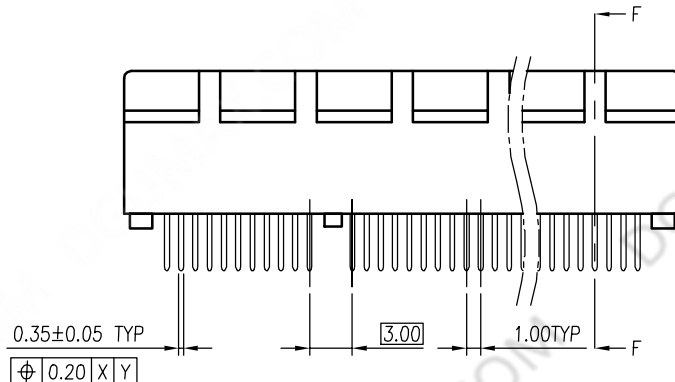
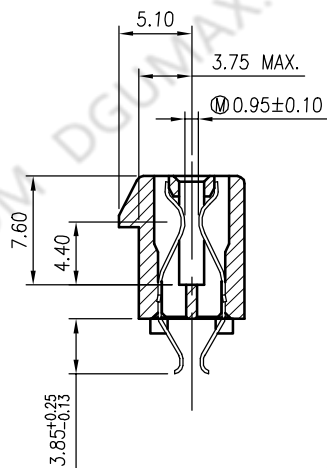
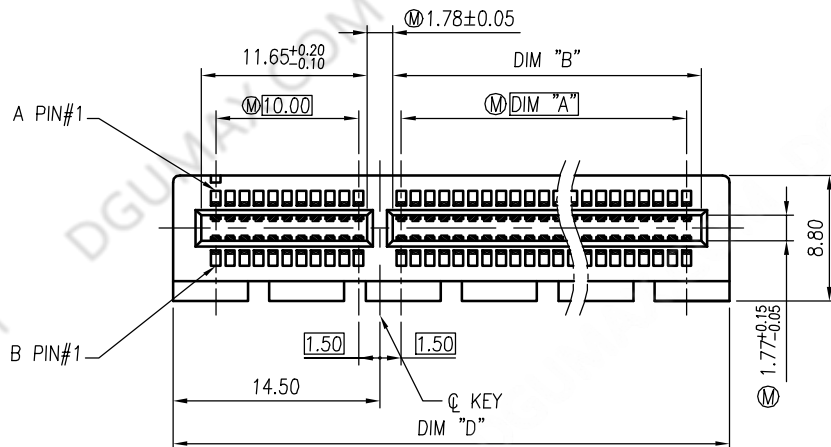
1. MATERIAL:
 - 1.1 HOUSING: PA9T (GN2330),UL94V-0; COLOR: BLACK.
 - 1.2 CONTACTS: PHOSPHOR BRONZE (C5191-H). T=0.25
2. FINISH:
 - 2.1 CONTACT:
 - SELECTIVE GOLD PLATING ON CONTACT AREA.
 - 100u" MIN. MATTE TIN PLATING ON SOLDER TAILS,
 - 50u" MIN. NICKEL UNDERPLATING OVERALL.
3. PRODUCT SPEC.: PS-3GIO-01
4. Ⓜ IS MAJOR DIMENSION FOR QC.

DIMENSIONS					
POSITION	A ±0.10	B ^{+0.15} / _{-0.05}	C ±0.10	D ±0.23	E ±0.30
36	6	7.65	12.30	25.00	34.8
64	20	21.65	26.30	39.00	48.8
98	37	38.65	43.30	56.00	65.8
164	70	71.65	76.30	89.00	98.8

				TOLERANCE		东莞市友贸实业有限公司 Dongguan Umax Enterprise Limited		TITLE: PCI EXPRESS 1.0mm CARD EDGE ASSY, STRADDLE MOUNT TYPE				
				LINEAR	ANGLES			PART NO. 3126-10X0XT				
				X.±0.30	X°.±	APPD:	Jason	MAT'L:	DWG NO. 312605001			
A	09041	Terry	Sep,02,2009	.XX±0.15	.XX°.±	CHKD:	Schumi	FINISH:	UNITS	SCALE	SHEET	REV
REV	ECN NO.	NAME	DATE	.XXX±0.08	.XXX°.±	DRWN:	Terry	Q'TY:	MM	1 : 1	1 OF 3	A

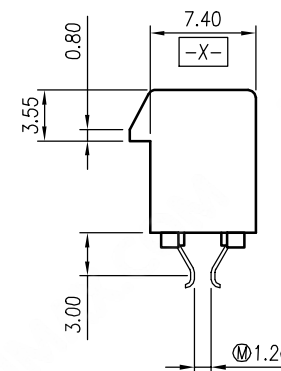
STRADDLE MOUNT

WITHOUT MOUNTING EAR & POST TYPE



NOTES:

1. MATERIAL:
 - 1.1 HOUSING: PA9T (GN2330),UL94V-0; COLOR: BLACK.
 - 1.2 CONTACTS: PHOSPHOR BRONZE (C5191-H). T=0.25
2. FINISH:
 - 2.1 CONTACT:
 - SELECTIVE GOLD PLATING ON CONTACT AREA.
 - 100u" MIN. MATTE TIN PLATING ON SOLDER TAILS,
 - 50u" MIN. NICKEL UNDERPLATING OVERALL.
3. PRODUCT SPEC.: PS-3GI0-01
4. Ⓜ IS MAJOR DIMENSION FOR QC.



DIMENSIONS			
POSITION	A ±0.10	B ^{+0.15} / _{-0.05}	D ±0.23
36	6	7.65	25.00
64	20	21.65	39.00
98	37	38.65	56.00
164	70	71.65	89.00

TOLERANCE	
LINEAR	ANGLES
X.±0.30	X'±
.X±0.20	.X'±
.XX±0.15	.XX'±
.XXX±0.08	.XXX'±

Umax 东莞市友贸实业有限公司
Dongguan Umax Enterprise Limited

TITLE: PCI EXPRESS 1.0mm
CARD EDGE ASSY', STRADDLE MOUNT TYPE

PART NO. 3126-12X0XT

DWG NO. 312605001

APPD: Jason MAT'L:
CHKD: Schumi FINISH:
DRWN: Terry Q'TY:

	UNITS	SCALE	SHEET	REV
	MM	1 : 1	2 OF 3	A

REV	See Sheet 1	NAME	DATE
ECN NO.			

PART NO.

3 1 26 - 1 X X 0 X T

PCI EXPRESS Series No.

Lock

1: With

Type No.

26: Straddle Type

HSG Color

1: Black

TYPE

0: WITH MOUNTING EAR

2: WITHOUT MOUNTING EAR & POST

Packing Options

T: Tray

No. of Pins

0: 36P

1: 64P

2: 98P

3: 164P

Contact Plating

0: 30u", Gold

1: 15u", Gold

2: 1u", Gold

TOLERANCE	
LINEAR	ANGLES
X.	X°.±
.X	.X°±
.XX	.XX°±
.XXX	.XXX°±

Umax 东莞市友贸实业有限公司
Dongguan Umax Enterprise Limited

TITLE: PCI EXPRESS 1.0mm
CARD EDGE ASSY', STRADDLE MOUNT TYPE

PART NO. 3126-12X0XT

DWG NO. 312605001

	See Sheet 1		
REV	ECN NO.	NAME	DATE

APPD: Jason

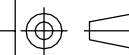
MAT'L:

CHKD: Schumi

FINISH:

DRWN: Terry

Q'TY:



UNITS	SCALE	SHEET	REV
MM	1 : 1	3 OF 3	A

INSPECTION

X-ON Electronics

Largest Supplier of Electrical and Electronic Components

Click to view similar products for [Standard Card Edge Connectors](#) category:

Click to view products by [UMAX](#) manufacturer:

Other Similar products are found below :

[6565204-6](#) [PKC-156](#) [1437274-4](#) [147889-1](#) [1489165-4](#) [EBT156-12B1X](#) [EBT15622B2X](#) [EBT156-22R2W](#) [1-582587-1](#) [1-582589-1](#) [2-6437275-9](#) [284-0102-12100](#) [306022901000000](#) [307-012-502-202](#) [307-024-526-201](#) [307-056-520-300](#) [307-080-526-208](#) [1926088-2](#) [245-062-520-350](#) [287-0032-12101](#) [306-010-500-112](#) [306-028-525-102](#) [306-240-318](#) [307-036-502-202](#) [307-036-521-301](#) [307-072-526-202](#) [345-060-559-303](#) [368-004-520-201](#) [392-008-559-201](#) [534671-1](#) [5-530501-5](#) [341-240-317](#) [345-029-520-300](#) [345-030-500-301](#) [345-044-500-300](#) [345-220-058](#) [346-240-318](#) [387-012-523-300](#) [395-044-520-300](#) [395-100-524-300](#) [50-12B-10](#) [50-6SN-5](#) [09-07-2032](#) [10035388-106LF](#) [10035388-802LF](#) [10115859-011LF](#) [10122859-009LF](#) [101269333204245CLF](#) [10127905-B04B24BLF](#) [530555-1](#)