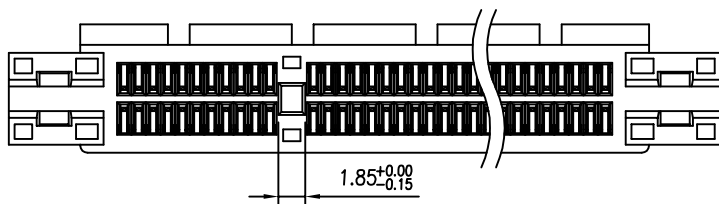
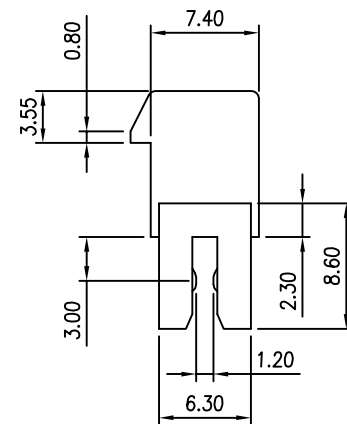
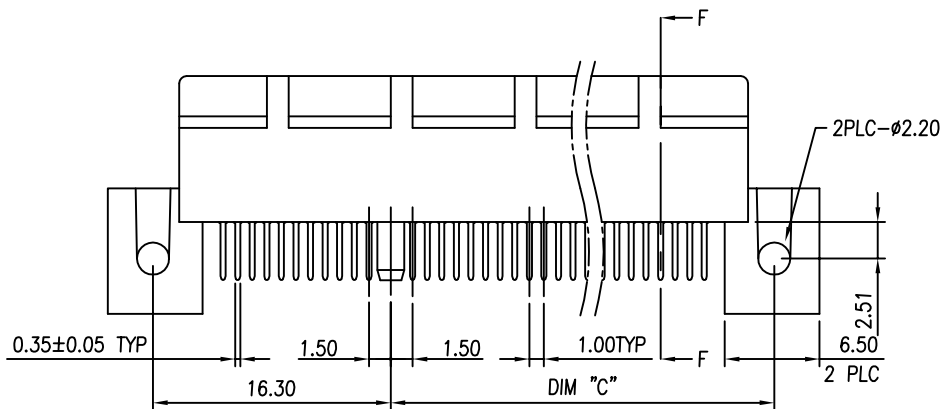
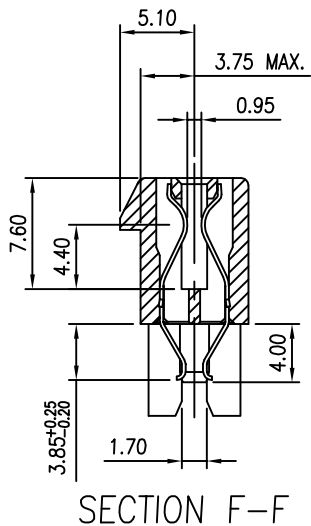
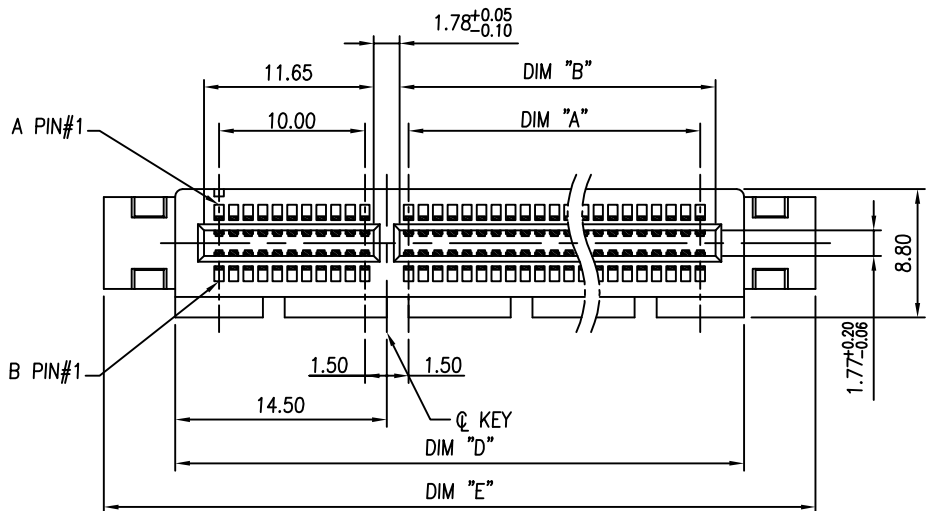


STRADDLE MOUNT

WITH MOUNTING EAR TYPE

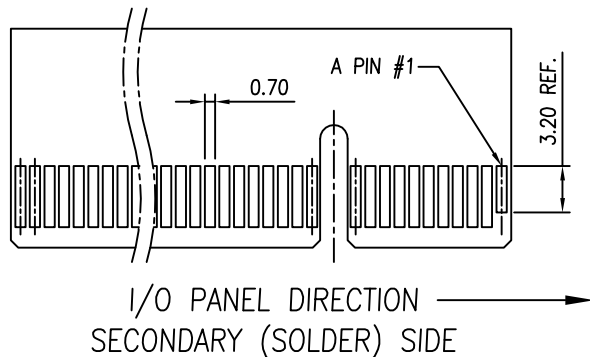
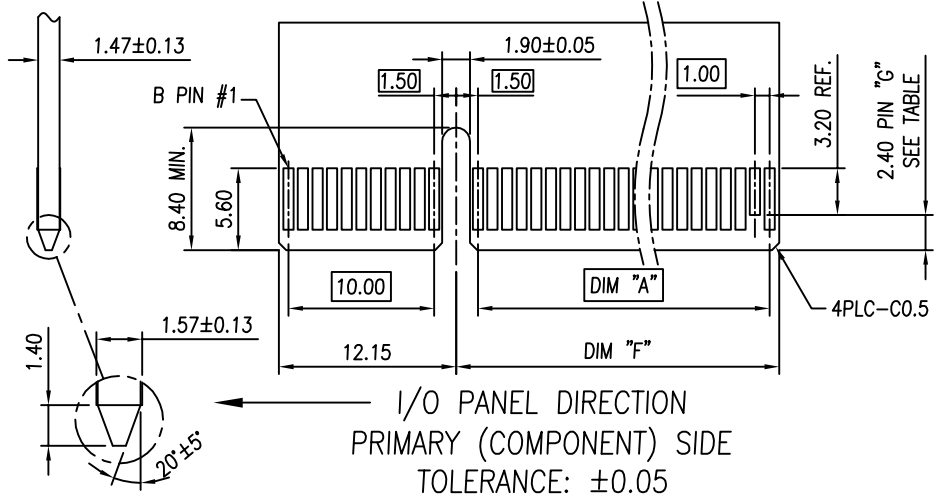


NOTES:

1. MATERIAL:
  - 1.1 HOUSING: THERMOPLASTIC, HIGH TEMP., UL94V-0; COLOR: BLACK.
  - 1.2 CONTACTS: COPPER ALLOY.
2. FINISH:
  - 2.1 CONTACT: SELECTIVE GOLD PLATING ON CONTACT AREA. 100μ" MIN. MATTE TIN PLATING ON SOLDER TAILS, 50μ" MIN. NICKEL UNDERPLATING OVERALL.
3. PRODUCT SPEC.: PS-3GIO-01

DIMENSIONS					
POSITION	A ±0.20	B <sup>+0.15</sup> / <sub>-0.05</sub>	C ±0.20	D ±0.25	E ±0.30
36	6	7.65	12.30	25.00	34.8
64	20	21.65	26.30	39.00	48.8
98	37	38.65	43.30	56.00	65.8
164	70	71.65	76.30	89.00	98.8

REV	ECN NO.	NAME	DATE	TOLERANCE		UMax conn DONGGUAN UMAXCONN ENTERPRISE LIMITED	TITLE: PCI EXPRESS 1.0mm CARD EDGE ASSY', STRADDLE MOUNT TYPE						
				LINEAR	ANGLES		PART NO.	3126-10X0XX	DWG NO.	312607001	UNITS	SCALE	SHEET
E	10041	Terry	Jun,08,2011			APPD: Jason	MAT'L:						
D	10017	Terry	Apr,15,2010	X.±0.40	X'.±	CHKD: Schumi	FINISH:						
C	09041	Terry	Jan,20,2009	.X±0.30	.X'±	DRWN: Terry	Q'TY:						
B	08048	Schumi	Aug,19,2008	.XX±0.20	.XX'±								
REV	ECN NO.	NAME	DATE	.XXX±0.10	.XXX'±								



DIMENSIONS				
POSITION	DIM. A	DIM. C	DIM. F	PIN "G"
36	6	12.30	8.15	B PIN #B17
64	20	26.30	22.15	B PIN #B31
98	37	43.30	39.15	B PIN #B48
164	70	76.30	72.15	B PIN #B81



PART NO.

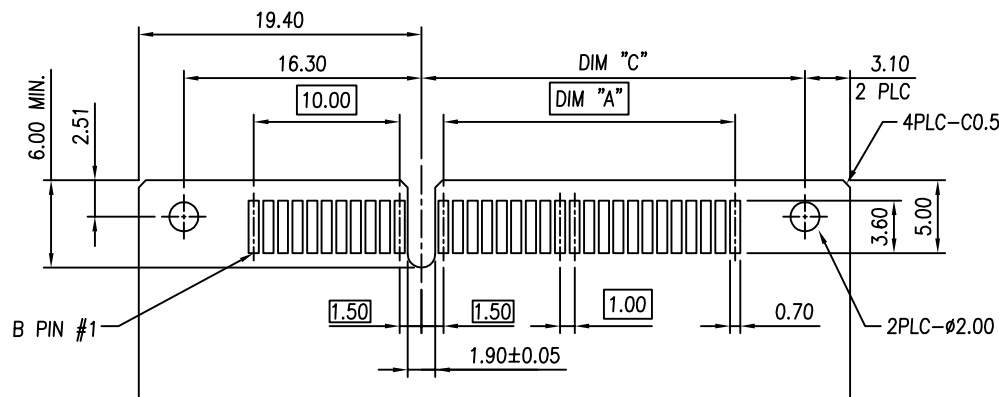
3126 - 10 X 0 X X X

PCI EXPRESS Series No. \_\_\_\_\_  
 HSG Color \_\_\_\_\_  
 1: Black  
 TYPE \_\_\_\_\_  
 0: WITH MOUNTING EAR

Packing Options  
 T: Tray  
 D: Tray With Dummy Card

No. of Pins  
 0: 36P  
 1: 64P  
 2: 98P  
 3: 164P

Contact Plating  
 0: 30μ", Gold  
 1: 15μ", Gold  
 2: 1μ", Gold



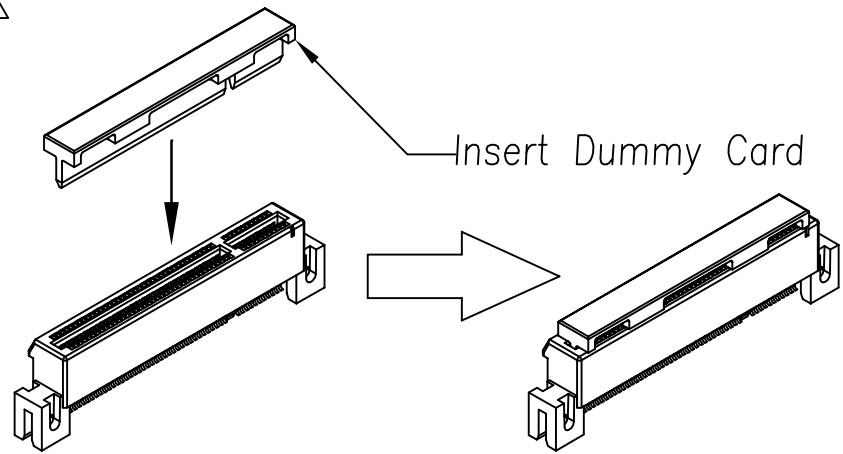
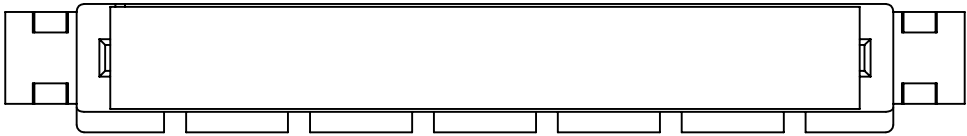
TOLERANCE		UMax conn DONGGUAN UMAXCONN ENTERPRISE LIMITED	TITLE: PCI EXPRESS 1.0mm CARD EDGE ASSY', STRADDLE MOUNT TYPE	
LINEAR	ANGLES		PART NO.	3126-10X0XX
X.	X'±	APPD: Jason	MAT'L:	DWG NO. 312607001
.X	.X'±	CHKD: Schumi	FINISH:	UNITS MM
.XX	.XX'±	DRWN: Terry	Q'TY:	SCALE 1 : 1
.XXX	.XXX'±			SHEET 2 OF 6

REV	See Sheet 1	NAME	DATE
ECN NO.			

UNITS	SCALE	SHEET	REV
MM	1 : 1	2 OF 6	E

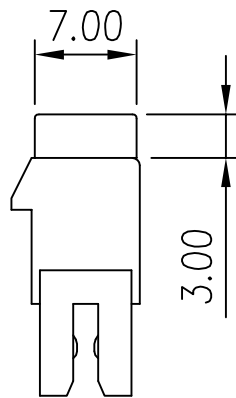
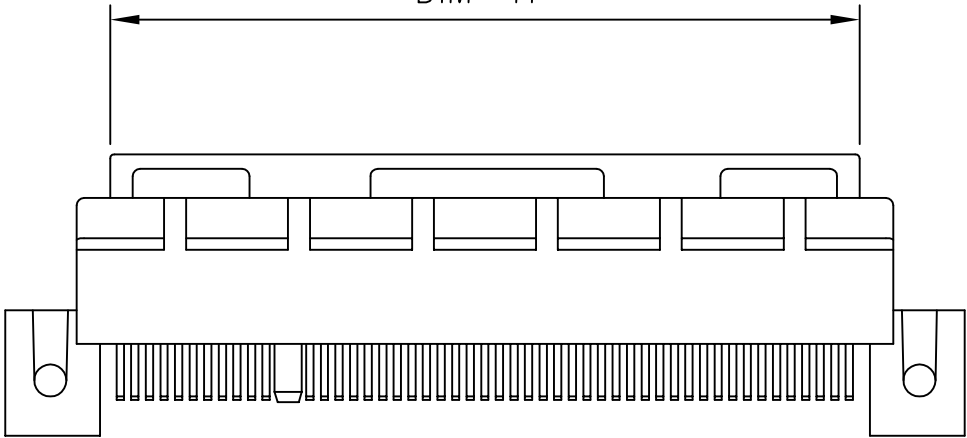
1 2 3 4 5 6 7 8

A



B

DIM "H"



C

D

DIMENSIONS	
POSITION	DIM. H
36	20.4
64	34.4
98	51.4
164	84.4

TOLERANCE	
LINEAR	ANGLES
.X	.X°±
.X	.X°±
.XX	.XX°±
.XXX	.XXX°±

<b>UMax conn</b> 东莞市友贸实业有限公司 DONGGUAN UMAXCONN ENTERPRISE LIMITED	APPD: Jason	MAT'L:
	CHKD: Schumi	FINISH:
DRWN: Terry	Q'TY:	

TITLE: PCI EXPRESS 1.0mm CARD EDGE ASSY', STRADDLE MOUNT TYPE			
PART NO. 3126-10X0X		DWG NO. 312607001	
UNITS	SCALE	SHEET	REV
MM	1 : 1	3 OF 6	E

See Sheet 1			
REV	ECN NO.	NAME	DATE

1 2 3 4 5 6 7 8 CUSTOMER

## X-ON Electronics

Largest Supplier of Electrical and Electronic Components

*Click to view similar products for [Board to Board & Mezzanine Connectors](#) category:*

*Click to view products by [UMAX](#) manufacturer:*

Other Similar products are found below :

[589158040000018](#) [MDF7C-18P-2.54DSA\(55\)](#) [FCN-268F036-G/BD](#) [FCN-268M012-G/0D](#) [FCN-268M024-G/1D](#) [FCN-723J004/1](#) [MIS-048-01-F-D-DP-K](#) [832-10-034-10-001000](#) [FX4C-80S-1.27DSA](#) [93696-330](#) [224393](#) [FCN-235D050-G/C](#) [210-93-314-41-105000](#) [2-22603-0](#) [MDF7-40DP-2.54DSA\(55\)](#) [5031084030](#) [MIT-114-03-F-D-K](#) [55323-1519](#) [45970-4130](#) [YFT-20-05-H-03-SB-K](#) [503308-3040](#) [026-6203-PDB](#) [027-6203-PDB](#) [069159702701000](#) [101A10019X](#) [105061100000861+](#) [55650-0588-C](#) [75140-7012](#) [87471-650](#) [YTW-30-07-H-Q-410-140](#) [YTT-112-01-H-Q](#) [063209](#) [0717420006](#) [FCN-268F024-G0D](#) [10124054-515LF](#) [68685-603](#) [8-1616154-3](#) [MIS-019-01-F-D](#) [IL-WX-10PB-HF-B-E1000E](#) [YFT-50-05-H-10-SB-K](#) [FCN-268M024-G/3D](#) [MDF7-16DP-2.54DSA\(55\)](#) [AXE810124](#) [FCN-214J100-G/0](#) [FCN-230C068-E/S](#) [AXE812124](#) [74220-001](#) [354184](#) [P50-028-DDS-TG](#) [53309-2471](#)