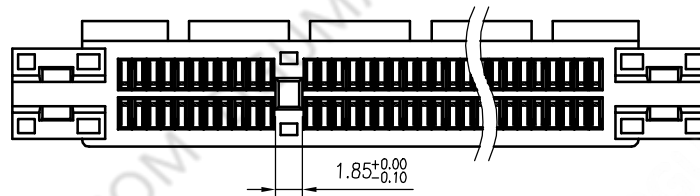
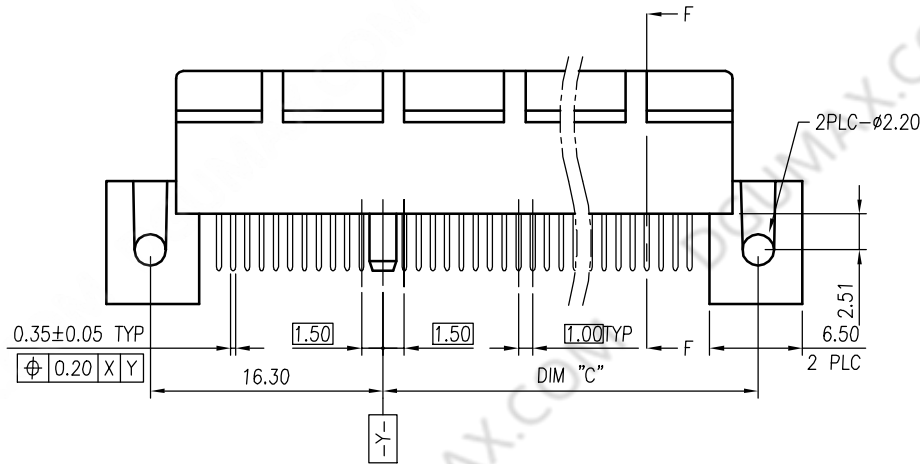
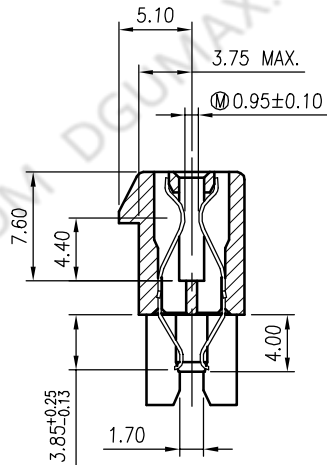
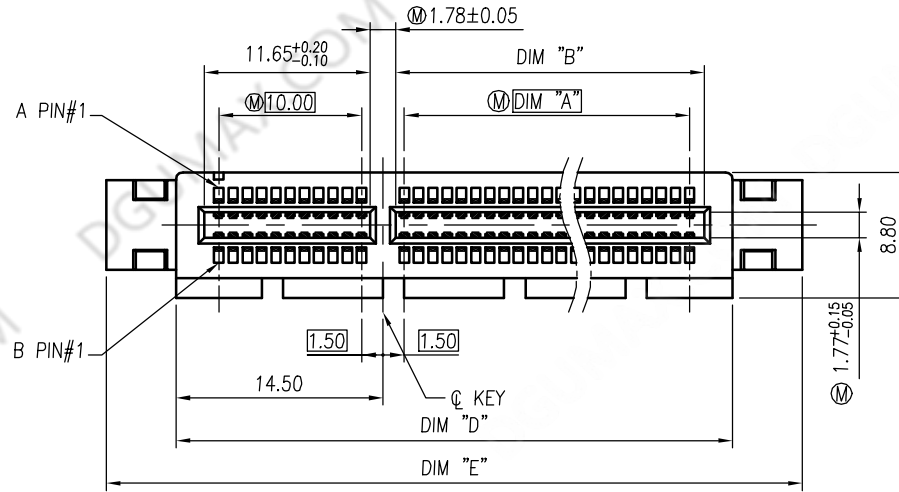


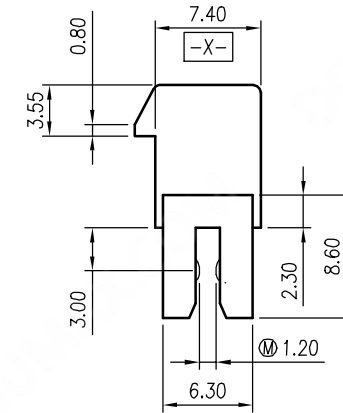
STRADDLE MOUNT

WITH MOUNTING EAR TYPE



NOTES:

- MATERIAL:
 - HOUSING: PA9T (GN2330), UL94V-0; COLOR: BLACK.
 - CONTACTS: PHOSPHOR BRONZE (C5191-H). T=0.25
- FINISH:
 - CONTACT:
 - SELECTIVE GOLD PLATING ON CONTACT AREA.
 - 100u" MIN. MATTE TIN PLATING ON SOLDER TAILS,
 - 50u" MIN. NICKEL UNDERPLATING OVERALL.
- PRODUCT SPEC.: PS-3GI0-01
- M IS MAJOR DIMENSION FOR QC.

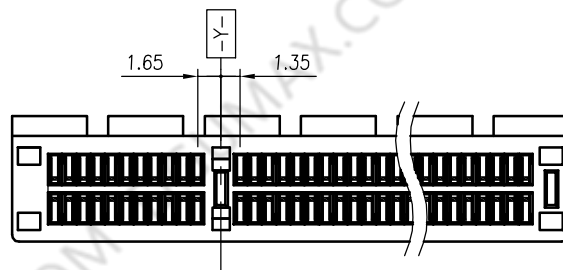
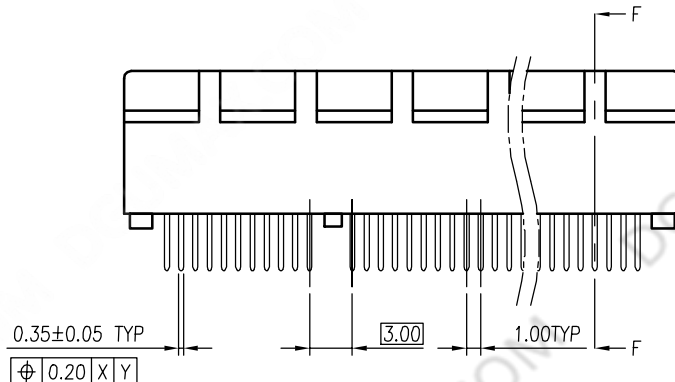
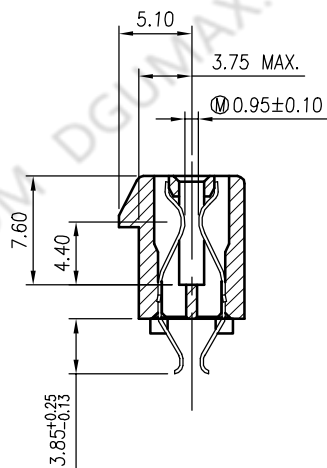
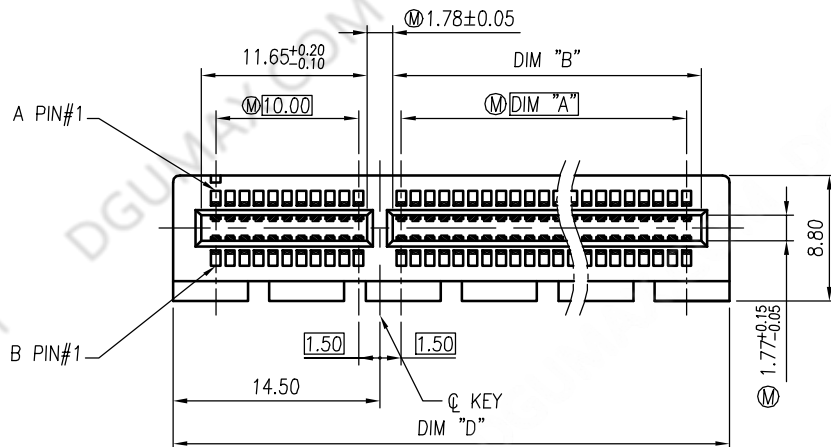


DIMENSIONS					
POSITION	A ± 0.10	B $^{+0.15}_{-0.05}$	C ± 0.10	D ± 0.23	E ± 0.30
36	6	7.65	12.30	25.00	34.8
64	20	21.65	26.30	39.00	48.8
98	37	38.65	43.30	56.00	65.8
164	70	71.65	76.30	89.00	98.8

				TOLERANCE		Umax 东莞市友贸实业有限公司 Dongguan Umax Enterprise Limited		TITLE: PCI EXPRESS 1.0mm CARD EDGE ASSY, STRADDLE MOUNT TYPE			
				LINEAR	ANGLES			PART NO. 3126-10X0XT			
				X ± 0.30	X' \pm	APPD: Jason	MAT'L:	DWG NO. 312605001			
A	09041	Terry	Sep,02,2009	.X ± 0.20	.X' \pm	CHKD: Schumi	FINISH:	UNITS	SCALE	SHEET	REV
REV	ECN NO.	NAME	DATE	.XXX ± 0.08	.XXX' \pm	DRWN: Terry	Q'TY:	MM	1 : 1	1 OF 3	A

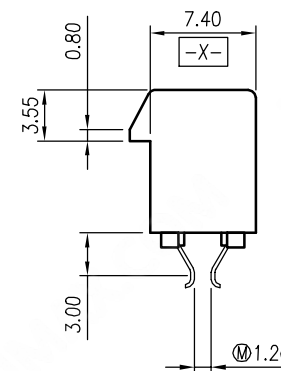
STRADDLE MOUNT

WITHOUT MOUNTING EAR & POST TYPE



NOTES:

1. MATERIAL:
 - 1.1 HOUSING: PA9T (GN2330),UL94V-0; COLOR: BLACK.
 - 1.2 CONTACTS: PHOSPHOR BRONZE (C5191-H). T=0.25
2. FINISH:
 - 2.1 CONTACT:
 - SELECTIVE GOLD PLATING ON CONTACT AREA.
 - 100u" MIN. MATTE TIN PLATING ON SOLDER TAILS,
 - 50u" MIN. NICKEL UNDERPLATING OVERALL.
3. PRODUCT SPEC.: PS-3GIO-01
4. Ⓜ IS MAJOR DIMENSION FOR QC.



DIMENSIONS			
POSITION	A ±0.10	B ^{+0.15} / _{-0.05}	D ±0.23
36	6	7.65	25.00
64	20	21.65	39.00
98	37	38.65	56.00
164	70	71.65	89.00

TOLERANCE	
LINEAR	ANGLES
X.±0.30	X'±
.X±0.20	.X'±
.XX±0.15	.XX'±
.XXX±0.08	.XXX'±

Umax 东莞市友贸实业有限公司
Dongguan Umax Enterprise Limited

TITLE: PCI EXPRESS 1.0mm
CARD EDGE ASSY', STRADDLE MOUNT TYPE

PART NO. 3126-12X0XT

DWG NO. 312605001

APPD: Jason MAT'L:

CHKD: Schumi FINISH:

DRWN: Terry Q'TY:

UNITS	SCALE	SHEET	REV

REV	ECN NO.	NAME	DATE
	See Sheet 1		

PART NO.

3 1 26 - 1 X X 0 X T

PCI EXPRESS Series No.

Lock

1: With

Type No.

26: Straddle Type

HSG Color

1: Black

TYPE

0: WITH MOUNTING EAR

2: WITHOUT MOUNTING EAR & POST

Packing Options

T: Tray

No. of Pins

0: 36P

1: 64P

2: 98P

3: 164P

Contact Plating

0: 30u", Gold

1: 15u", Gold

2: 1u", Gold

TOLERANCE	
LINEAR	ANGLES
X.	X°.±
.X	.X°±
.XX	.XX°±
.XXX	.XXX°±

Umax 东莞市友贸实业有限公司
Dongguan Umax Enterprise Limited

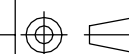
TITLE: PCI EXPRESS 1.0mm
CARD EDGE ASSY', STRADDLE MOUNT TYPE

PART NO. 3126-12X0XT

DWG NO. 312605001

See Sheet 1			
REV	ECN NO.	NAME	DATE

APPD: Jason	MAT'L:
CHKD: Schumi	FINISH:
DRWN: Terry	Q'TY:



UNITS	SCALE	SHEET	REV
MM	1 : 1	3 OF 3	A

X-ON Electronics

Largest Supplier of Electrical and Electronic Components

Click to view similar products for [umax](#) manufacturer:

Other Similar products are found below :

[91611-11013T](#) [3091-10111T](#) [SM06097-SA29R-1LRT](#) [3126-10200T](#) [3157.0](#) [3126.0](#) [3091-10103T](#) [3091-10100T](#) [3160-10120T](#) [91611-11010T](#) [SR50BL05A](#) [CFH-L3C1LBL01MN0](#) [3091-10102T](#) [4-5099-7](#) [3183-10211P1T](#) [3113-112T](#) [SA08BL01D](#) [3113-113T](#) [91611-11011T](#) [3183-10113P1T](#) [SA06BL01D](#) [4-5099-2](#) [3126-10103T](#) [161C200](#) [SA10BL01D](#) [3157-10101D](#) [3126-10102D](#) [CHF-R3C1LBM15MN2](#) [3183-10203P1T](#) [3183-10112P1T](#) [3113-111T](#) [3183-10202P1T](#) [4-5099-8](#) [91304-90-052R2](#) [CFH-4420LBM30MNC](#) [91302-42-067R2B](#) [91302-85-067RDM](#) [91302-42-067RDM](#) [3157-10200D](#) [3183-10110P1T](#) [CFH-38690R](#) [3113-110T](#) [4-5099-0](#) [91304-68-052R2](#) [3157-10100D](#) [91304-40-052R2](#) [3183-10201P1T](#) [3126-10102T](#) [3183-10111P1T](#) [91304-80-052R2](#)