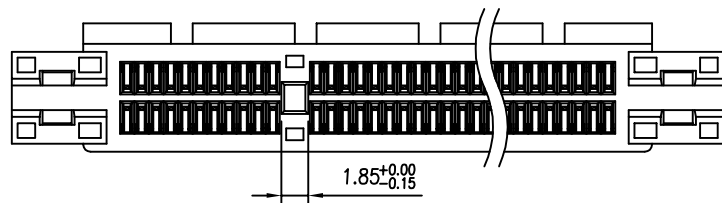
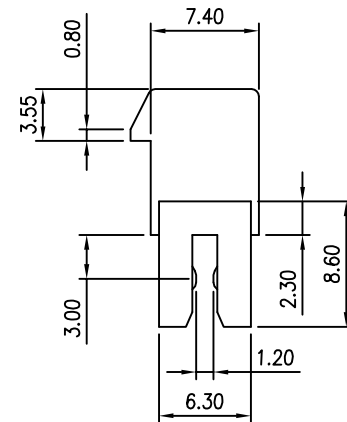
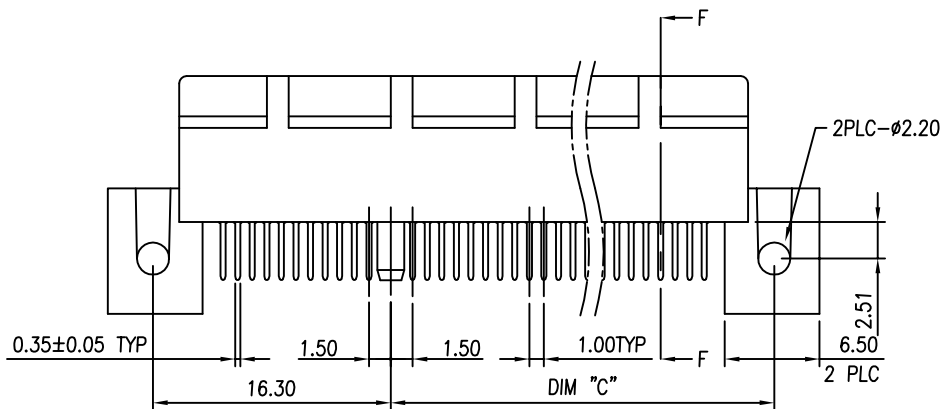
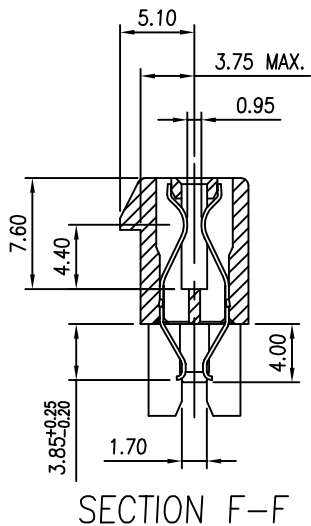
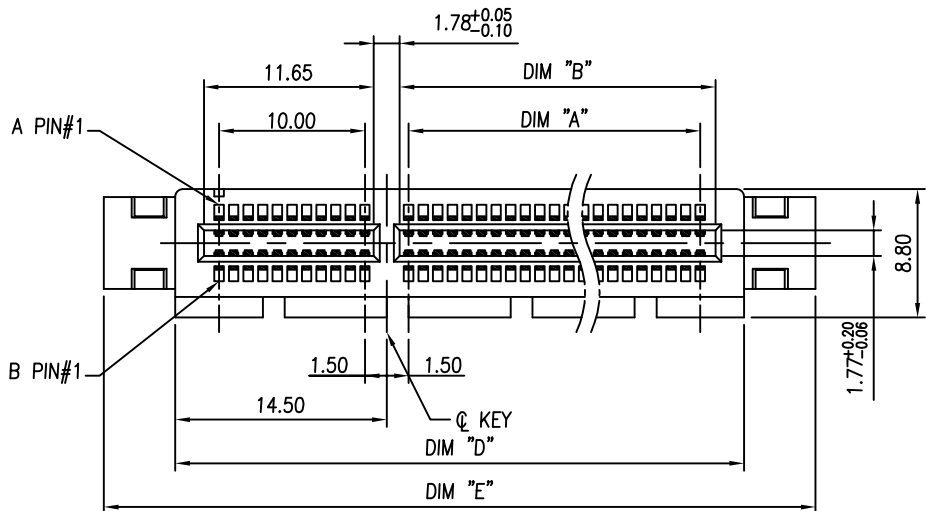


STRADDLE MOUNT

WITH MOUNTING EAR TYPE

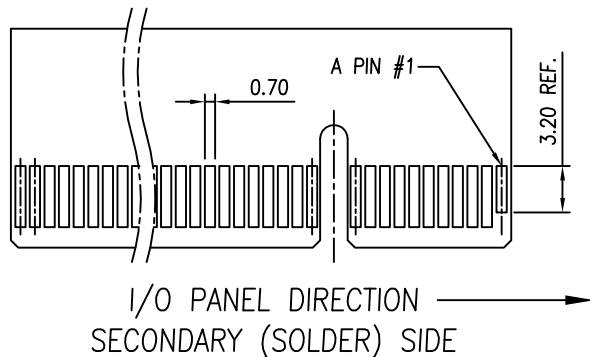
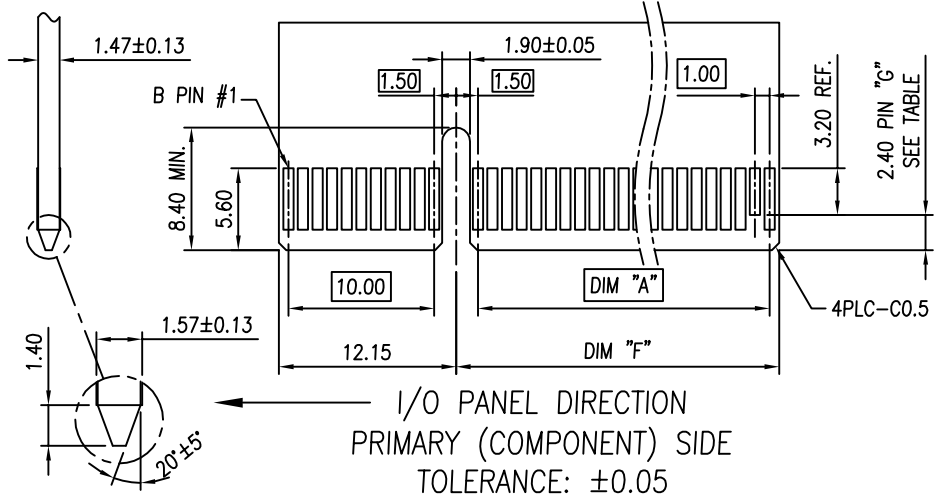


NOTES:

1. MATERIAL:
  - 1.1 HOUSING: THERMOPLASTIC, HIGH TEMP., UL94V-0; COLOR: BLACK.
  - 1.2 CONTACTS: COPPER ALLOY.
2. FINISH:
  - 2.1 CONTACT: SELECTIVE GOLD PLATING ON CONTACT AREA. 100μ" MIN. MATTE TIN PLATING ON SOLDER TAILS, 50μ" MIN. NICKEL UNDERPLATING OVERALL.
3. PRODUCT SPEC.: PS-3GIO-01

DIMENSIONS					
POSITION	A ±0.20	B <sup>+0.15</sup> / <sub>-0.05</sub>	C ±0.20	D ±0.25	E ±0.30
36	6	7.65	12.30	25.00	34.8
64	20	21.65	26.30	39.00	48.8
98	37	38.65	43.30	56.00	65.8
164	70	71.65	76.30	89.00	98.8

REV	ECN NO.	NAME	DATE	TOLERANCE		UMax conn DONGGUAN UMAXCONN ENTERPRISE LIMITED	TITLE: PCI EXPRESS 1.0mm CARD EDGE ASSY', STRADDLE MOUNT TYPE				
				LINEAR	ANGLES		PART NO.	3126-10X0XX	DWG NO.	312607001	UNITS
E	10041	Terry	Jun,08,2011			APPD: Jason	MAT'L:	MM	1 : 1	1 OF 6	E
D	10017	Terry	Apr,15,2010	X.±0.40	X'±	CHKD: Schumi	FINISH:				
C	09041	Terry	Jan,20,2009	.X±0.30	.X'±	DRWN: Terry	Q'TY:				
B	08048	Schumi	Aug,19,2008	.XX±0.20	.XX'±						
REV	ECN NO.	NAME	DATE	.XXX±0.10	.XXX'±						



DIMENSIONS				
POSITION	DIM. A	DIM. C	DIM. F	PIN "G"
36	6	12.30	8.15	B PIN #B17
64	20	26.30	22.15	B PIN #B31
98	37	43.30	39.15	B PIN #B48
164	70	76.30	72.15	B PIN #B81



PART NO.

3126 - 10 X 0 X X

PCI EXPRESS Series No.

HSG Color

1: Black

TYPE

0: WITH MOUNTING EAR

Packing Options

T: Tray

D: Tray With Dummy Card

No. of Pins

0: 36P

1: 64P

2: 98P

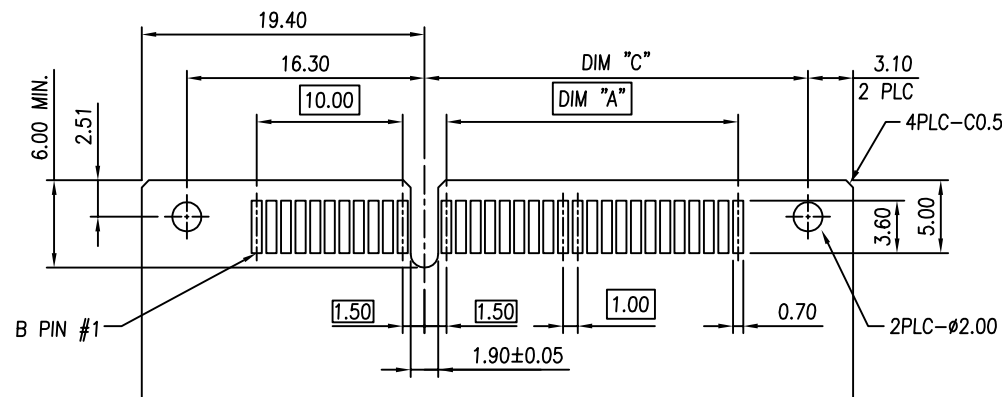
3: 164P

Contact Plating

0: 30μ", Gold

1: 15μ", Gold

2: 1μ", Gold



TOLERANCE	
LINEAR	ANGLES
X.	X'±
.X	.X'±
.XX	.XX'±
.XXX	.XXX'±

**UMax conn** 东莞市友贸实业有限公司  
DONGGUAN UMAXCONN ENTERPRISE LIMITED

TITLE: PCI EXPRESS 1.0mm  
CARD EDGE ASSY', STRADDLE MOUNT TYPE

PART NO. 3126-10X0XX

DWG NO. 312607001

APPD: Jason

MAT'L:

CHKD: Schumi

FINISH:

DRWN: Terry

Q'TY:



UNITS  
MM

SCALE  
1 : 1

SHEET  
2 OF 6

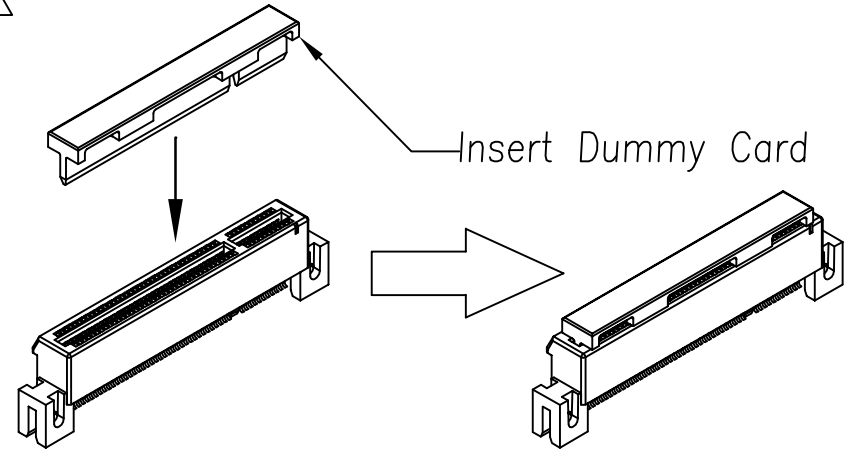
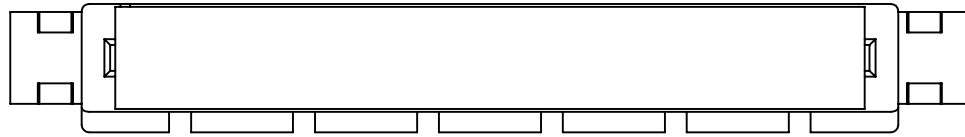
REV  
E

See Sheet 1			
REV	ECN NO.	NAME	DATE

1 2 3 4 5 6 7 8

A

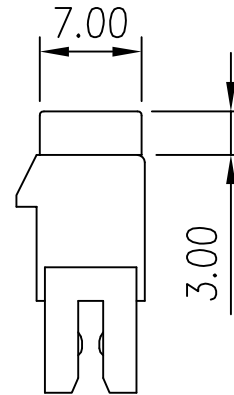
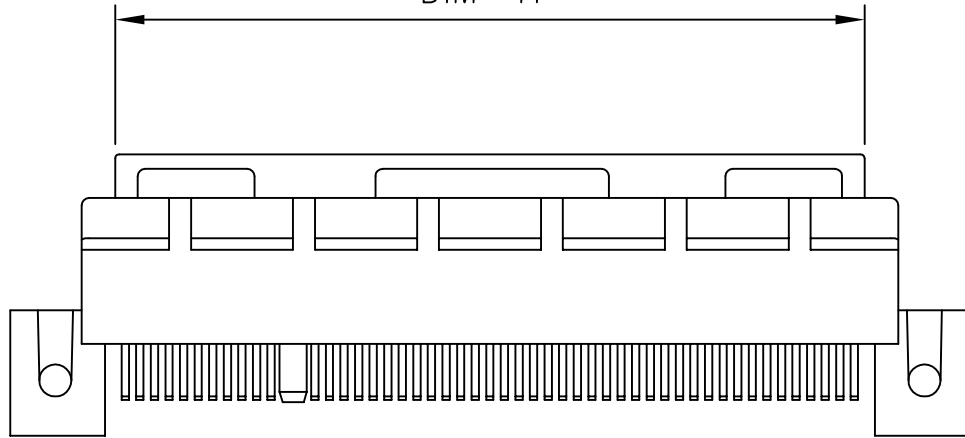
A



B

B

DIM "H"



C

C

D

D

DIMENSIONS	
POSITION	DIM. H
36	20.4
64	34.4
98	51.4
164	84.4

TOLERANCE	
LINEAR	ANGLES
.X	.X°±
.X	.X°±
.XX	.XX°±
.XXX	.XXX°±

**UMax conn** 东莞市友贸实业有限公司  
DONGGUAN UMAXCONN ENTERPRISE LIMITED

TITLE: PCI EXPRESS 1.0mm  
CARD EDGE ASSY', STRADDLE MOUNT TYPE

PART NO. 3126-10X0XX

DWG NO. 312607001

See Sheet 1			
REV	ECN NO.	NAME	DATE

APPD: Jason	MAT'L:
CHKD: Schumi	FINISH:
DRWN: Terry	Q'TY:

	UNITS	SCALE	SHEET	REV
	MM	1 : 1	3 OF 6	E

1 2 3 4 5 6 7 8

CUSTOMER

## X-ON Electronics

Largest Supplier of Electrical and Electronic Components

*Click to view similar products for [Board to Board & Mezzanine Connectors](#) category:*

*Click to view products by [UMAX](#) manufacturer:*

Other Similar products are found below :

[589158040000018](#) [MDF7C-18P-2.54DSA\(55\)](#) [FCN-268F036-G/BD](#) [FCN-268M012-G/0D](#) [FCN-268M024-G/1D](#) [FCN-723J004/1](#) [MIS-048-01-F-D-DP-K](#) [832-10-034-10-001000](#) [FX4C-80S-1.27DSA](#) [93696-330](#) [224393](#) [FCN-235D050-G/C](#) [210-93-314-41-105000](#) [2-22603-0](#) [MDF7-40DP-2.54DSA\(55\)](#) [5031084030](#) [MIT-114-03-F-D-K](#) [55323-1519](#) [45970-4130](#) [YFT-20-05-H-03-SB-K](#) [503308-3040](#) [026-6203-PDB](#) [027-6203-PDB](#) [069159702701000](#) [101A10019X](#) [105061100000861+](#) [55650-0588-C](#) [75140-7012](#) [87471-650](#) [YTW-30-07-H-Q-410-140](#) [YTT-112-01-H-Q](#) [063209](#) [0717420006](#) [FCN-268F024-G0D](#) [10124054-515LF](#) [68685-603](#) [8-1616154-3](#) [MIS-019-01-F-D](#) [YTQ-11201HQ](#) [IL-WX-10PB-HF-B-E1000E](#) [YFT-50-05-H-10-SB-K](#) [FCN-268M024-G/3D](#) [MDF7-16DP-2.54DSA\(55\)](#) [AXE810124](#) [FCN-214J100-G/0](#) [FCN-230C068-E/S](#) [AXE812124](#) [74220-001](#) [354184](#) [P50-028-DDS-TG](#)