
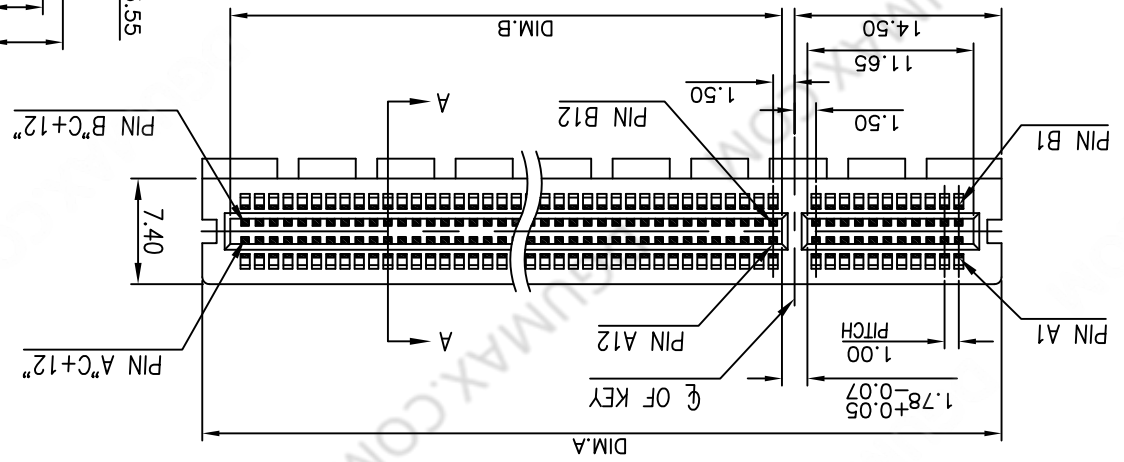
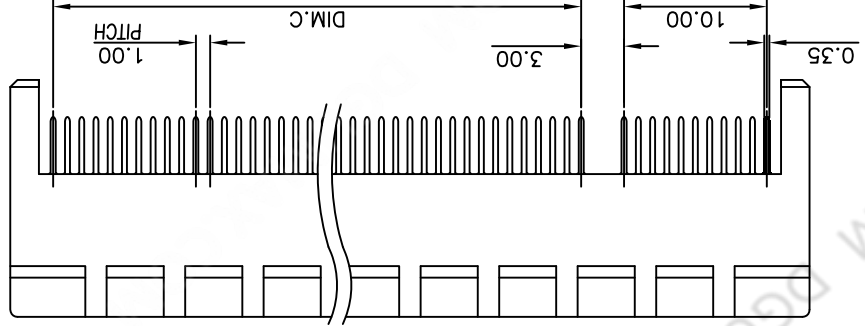
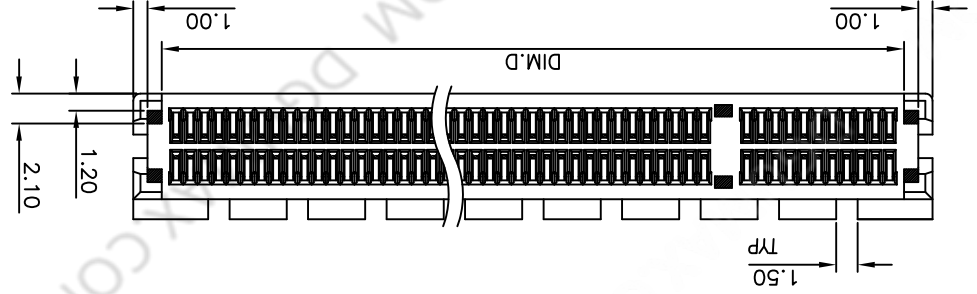
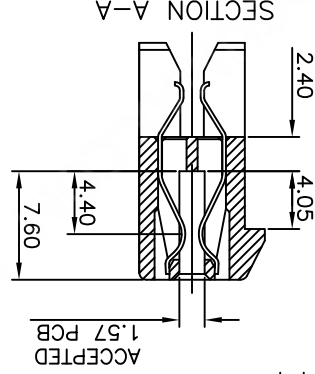


1	REV	0	ECN NO.	---	NAME	Vincent	DATE	Jun,15,2010	.XX±0.10	.XX±	DRWN:	Vincent	Q'TY:	
2	REV	0	ECN NO.	---	NAME	Vincent	DATE	Jun,15,2010	.XX±0.20	.XX±	CHKD:	Schumi	FINISH:	
3	REV	0	ECN NO.	---	NAME	Vincent	DATE	Jun,15,2010	.X±0.30	.X±	APPD:	Jason	MAT'L:	
4	REV	0	ECN NO.	---	NAME	Vincent	DATE	Jun,15,2010	X±0.40	X±	 Dongguan Umax Enterprise Limited 东莞市友贸实业有限公司			
5	REV	0	ECN NO.	---	NAME	Vincent	DATE	Jun,15,2010						
6	REV	0	ECN NO.	---	NAME	Vincent	DATE	Jun,15,2010			TOLERANCE ANGLES LINEAR X± ANGLES X±			
7	REV	0	ECN NO.	---	NAME	Vincent	DATE	Jun,15,2010			CUSTOMER 8 SHEET 1 OF 3 SCALE 1:1 UNITS MM			

POSITION	A	B	C	D
36	25.00	7.65	6	23
64	39.00	21.65	20	37
98	56.00	38.65	37	54
164	89.00	71.65	70	87

DIMENSIONS



3157 - 10 X 0 X D

HSG Color  
 1: Black  
 0: 30µ" Gold  
 1: 15µ" Gold  
 2: G/F

Contact Plating  
 0: 36P  
 1: 64P  
 2: 98P  
 3: 164P

No. of Pins  
 D: Tray  
 Packing Options

- NOTES:
1. MATERIAL: THERMOPLASTIC, HIGH TEMP.,UL94V-0;
  2. FINISH: SELECTIVE GOLD PLATING ON CONTACT AREA.
  3. PRODUCT SPEC.: XX-XXX-XX
  4. PACKING SPEC.: XXXXXXXXXX
  5. PART NO.
  - 1.1 HOUSING: THERMOPLASTIC, HIGH TEMP.,UL94V-0;
  - 1.2 CONTACTS: COPPER ALLOY.
  - 2.1 CONTACT: 100µ" MIN. MATTE TIN PLATING ON SOLDER TAILS, 50µ" MIN. NICKEL UNDERPLATING OVERALL.
- COLOR: SEE PART NO..

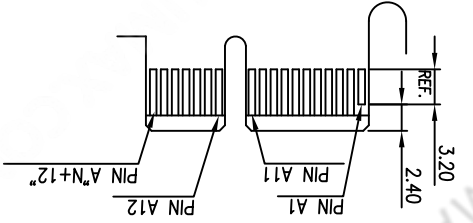
1	REV	ECN NO.	NAME	DATE	.XX±0.10	.XX±.X	DRWN:	Schumi	Q'TY:
2	See Sheet 1				.XX±0.20	.XX±.X	CHKD:	Schumi	FINISH:
3					X±0.30	X±.X	APPD:	Jason	MAT'L:
4					X±0.40	X±.X	 Dongguan Umax Enterprise Limited 东莞市外贸实业有限公司		
5					TOLERANCE				
6					ANGLES		PART NO. 3157-10X0XD		
7							TITLE: PCI EXPRESS CARD EDGE CONNECTOR STRADDLE MOUNT TYPE		
8							DWG NO. 3157		
	REV	SHEET	SCALE	1:1	3 OF 3	0	CUSTOMER		

POS.	N	DIM.E	DIM.J	DIM.F	"K"
164	70	73.5	72.15	B17,B31,B48,B81	
98	37	54	40.5	B17,B31,B48	
64	20	37	23.5	B17,B31	
36	6	23	9.5	B17	

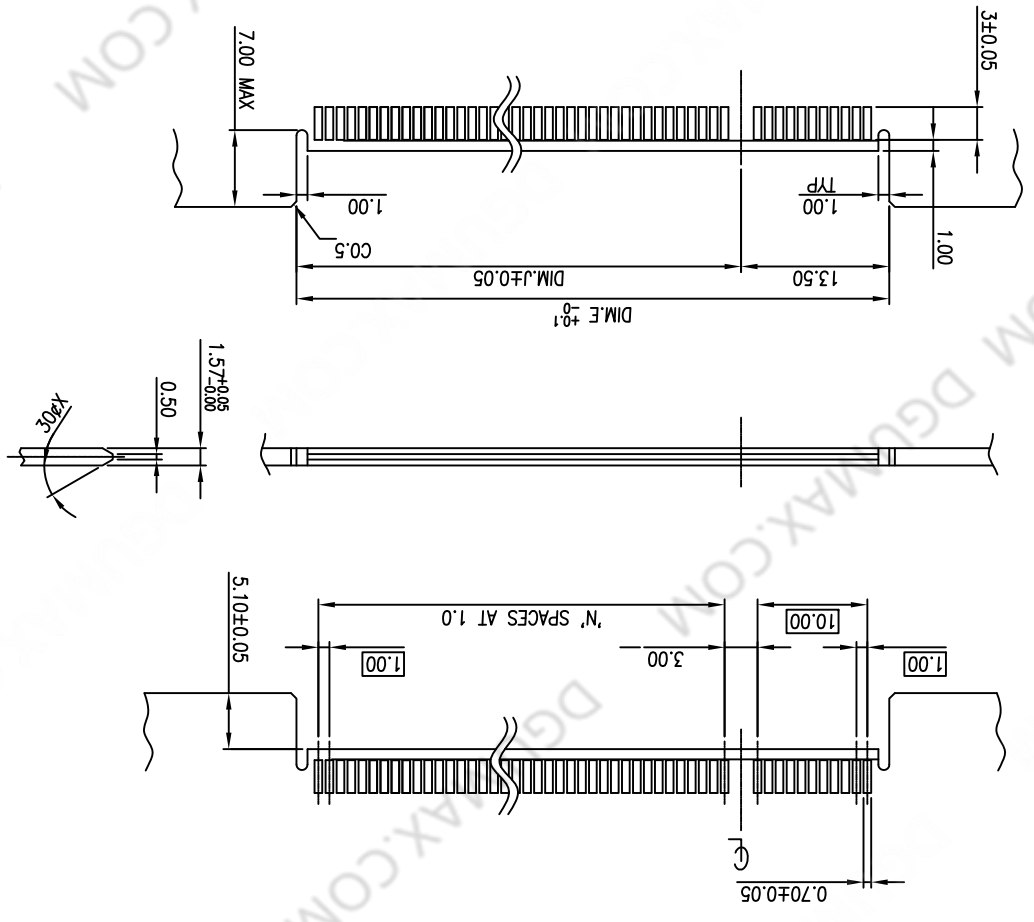
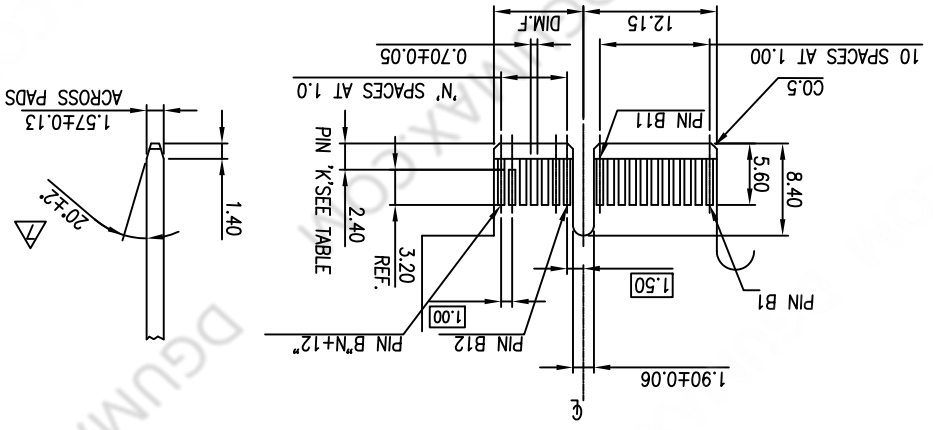
6. NO THE BAR PERMITTED FROM CARD EDGE TO LEADING EDGE OF PAD FOR PINS A1 AND "K"  
 CHAMFER EDGE MUST BE FREE OF CUTTING BURRS

RECOMMENDED PCB LAYOUT  
 PCB TOLERANCE: ±0.05

SECONDARY (SOLDER) SIDE  
 PCI-E ADD-IN CARD EDGE-FINGER DIMENSION.



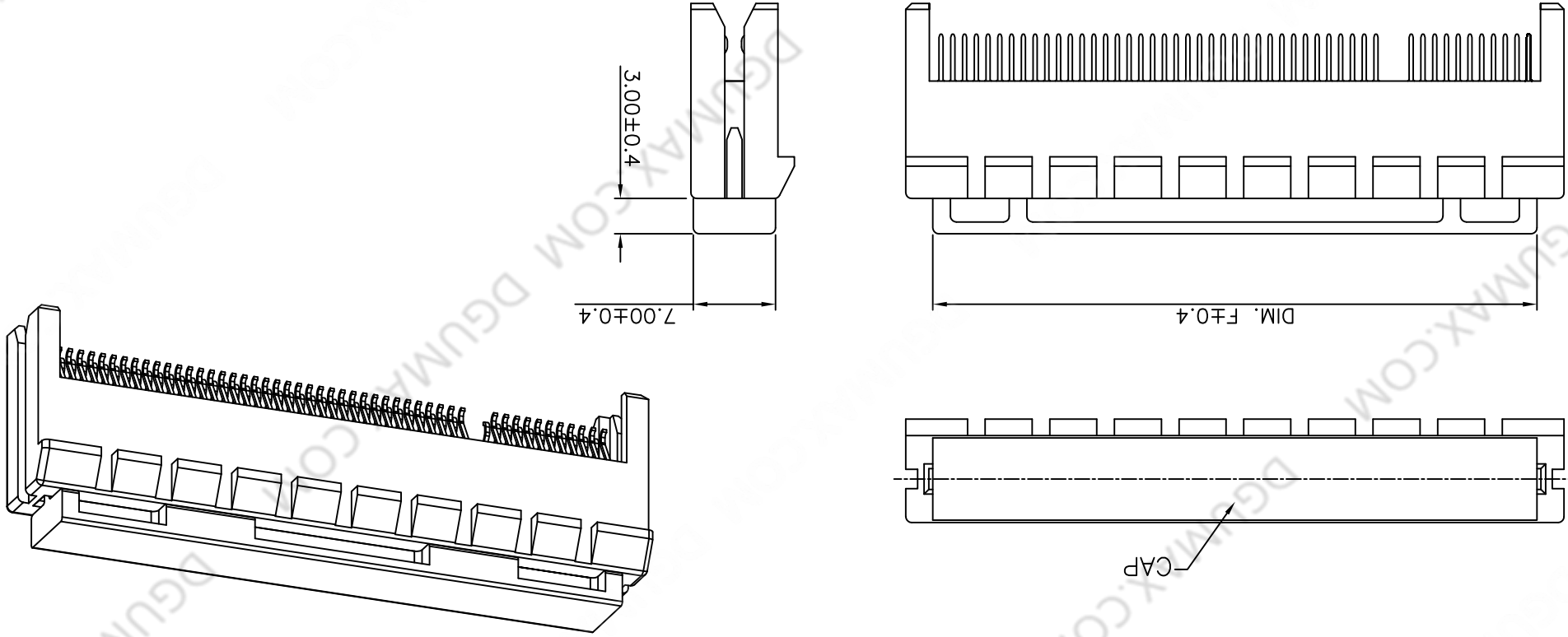
PRIMARY (COMPONENT) SIDE  
 I/O PANEL DIRECTION



REV		ECN NO.	NAME	DATE	.XXX±0.10	.XX±	DRWN:	Schumi	Q'TY:	7		8
REV		See Sheet 1			.XX±0.20	.X±	CHKD:	Schumi	FINISH:	7		8
REV					.X±0.30	X±	APPD:	Jason	MAT'L:	7		8
REV					X±0.40	ANGLES	Dongguan Umax Enterprise Limited		7		8	
REV					TOLERANCE		东莞市友贸实业有限公司		7		8	
REV					LINEAR		TITLE: PCI EXPRESS CARD EDGE CONNECTOR		7		8	
REV					X±		PART NO. 3157-10X0XD		7		8	
REV					X±		DWG NO. 3157		7		8	
REV					X±		UNITS		7		8	
REV					X±		SCALE		7		8	
REV					X±		SHEET		7		8	
REV					X±		2 OF 3		7		8	
REV					X±		0		7		8	

POSITION	DIM F
164	84.4
98	51.4
64	34.4
20.4	

ASSEMBLY WITH CAP CONDITION



DGUMAX.COM

## X-ON Electronics

Largest Supplier of Electrical and Electronic Components

*Click to view similar products for [Standard Card Edge Connectors](#) category:*

*Click to view products by [UMAX](#) manufacturer:*

Other Similar products are found below :

[6565204-6](#) [PKC-156](#) [1437274-4](#) [147889-1](#) [1489165-4](#) [EBT156-12B1X](#) [EBT15622B2X](#) [EBT156-22R2W](#) [1-582587-1](#) [1-582589-1](#) [2-6437275-9](#) [284-0102-12100](#) [306022901000000](#) [307-012-502-202](#) [307-024-526-201](#) [307-056-520-300](#) [307-080-526-208](#) [1926088-2](#) [245-062-520-350](#) [287-0032-12101](#) [306-010-500-112](#) [306-028-525-102](#) [306-240-318](#) [307-036-502-202](#) [307-036-521-301](#) [307-072-526-202](#) [345-060-559-303](#) [368-004-520-201](#) [392-008-559-201](#) [534671-1](#) [5-530501-5](#) [341-240-317](#) [345-029-520-300](#) [345-030-500-301](#) [345-044-500-300](#) [345-220-058](#) [346-240-318](#) [387-012-523-300](#) [395-044-520-300](#) [395-100-524-300](#) [50-12B-10](#) [50-6SN-5](#) [09-07-2032](#) [10035388-106LF](#) [10035388-802LF](#) [10115859-011LF](#) [10122859-009LF](#) [101269333204245CLF](#) [10127905-B04B24BLF](#) [530555-1](#)