

NOTES:

1. MATERIAL:
 - 1.1 HOUSING: THERMOPLASTIC, HIGH TEMP.,UL94V-0; COLOR: SEE PART NO..
 - 1.2 CONTACTS: COPPER ALLOY.
2. FINISH:
 - 2.1 CONTACT: SELECTEIVE GOLD PLATING ON CONTACT AREA. 100μ" MIN. MATTE TIN PLATING ON SOLDER TAILS, 50μ" MIN. NICKEL UNDERPLATING OVERALL.
3. PRODUCT SPEC.: PS-3GIO-01
4. PACKING SPEC.: 318304001
5. PART NO.

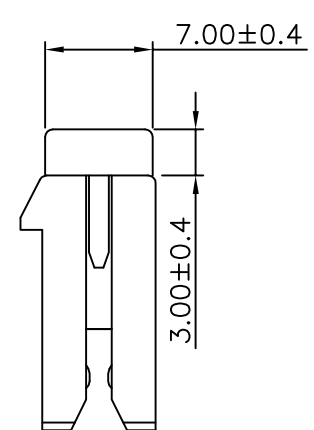
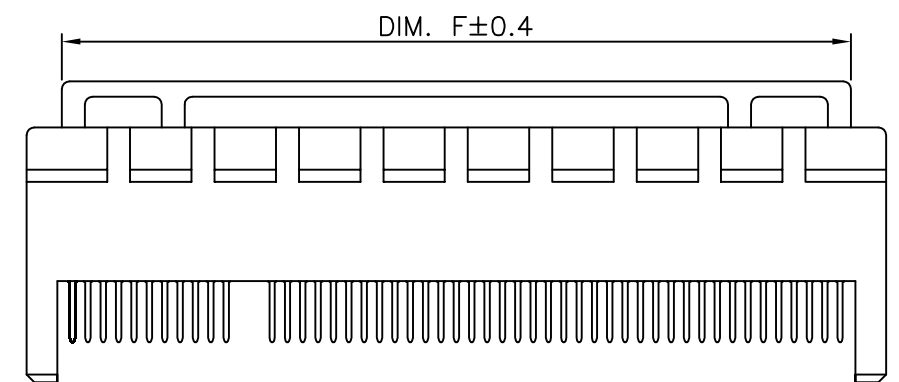
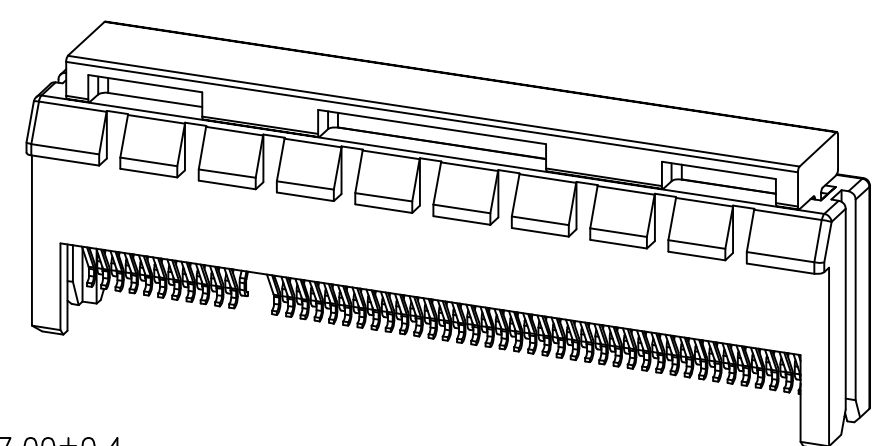
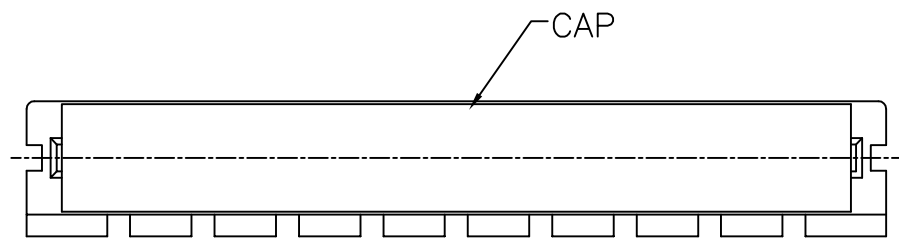
3157 - 10 X 0 X D

HSG Color ———— 1: Black
 Contact Plating ———— 0: 30μ", Gold
 1: 15μ", Gold
 2: G/F

Packing Options ———— D: Tray
 No. of Pins ———— 0: 36P
 1: 64P
 2: 98P
 3: 164P

DIMENSIONS				
POSITION	A ±0.25	B ^{+0.20} / _{-0.10}	C ±0.20	D ^{+0.05} / _{-0.20}
36	25.00	7.65	6	23
64	39.00	21.65	20	37
98	56.00	38.65	37	54
164	89.00	71.65	70	87

				TOLERANCE		UMax 东莞市友贸实业有限公司 conn DONGGUAN UMAX ENTERPRISE LIMITED		TITLE: PCI EXPRESS CARD EDGE CONNECTOR STRADDLE MOUNT TYPE			
				LINEAR	ANGLES			PART NO. 3157-10X0XD			
				X.±0.40	X'±	APPD: Jason	MAT'L:	DWG NO. 3157			
1	-----	Lei Songping	Jun,09,2022	.X±0.30	.X'±	CHKD: Schumi	FINISH:	UNITS SCALE SHEET REV			
0	-----	Vincent	Jun,15,2010	.XX±0.20	.XX'±	DRWN: Lei Songping	Q'TY:	MM	1 : 1	1 OF 3	1
REV	ECN NO.	NAME	DATE	.XXX±0.10	.XXX'±						



ASSEMBLY WITH CAP CONDITION

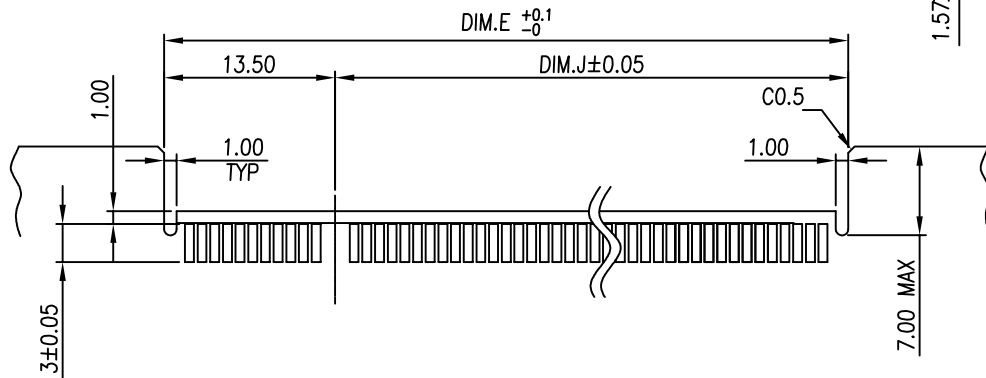
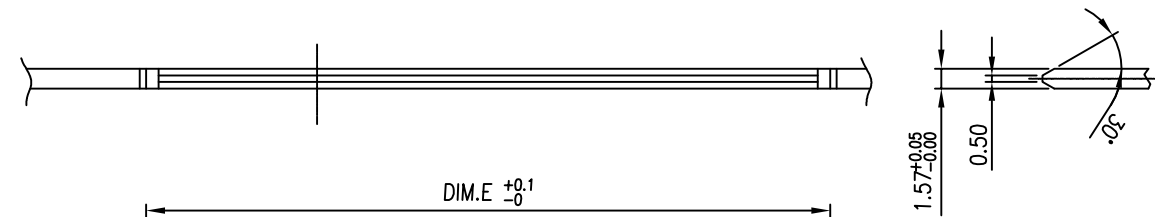
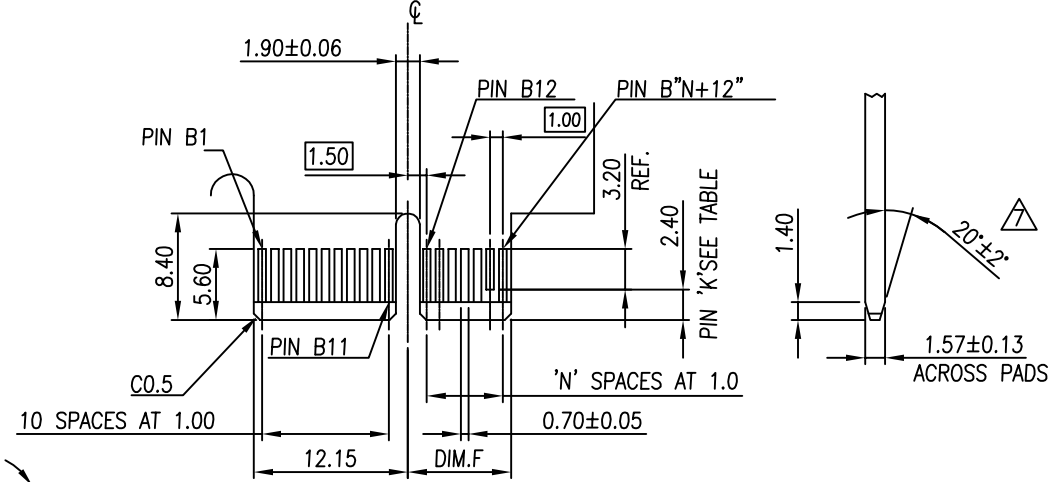
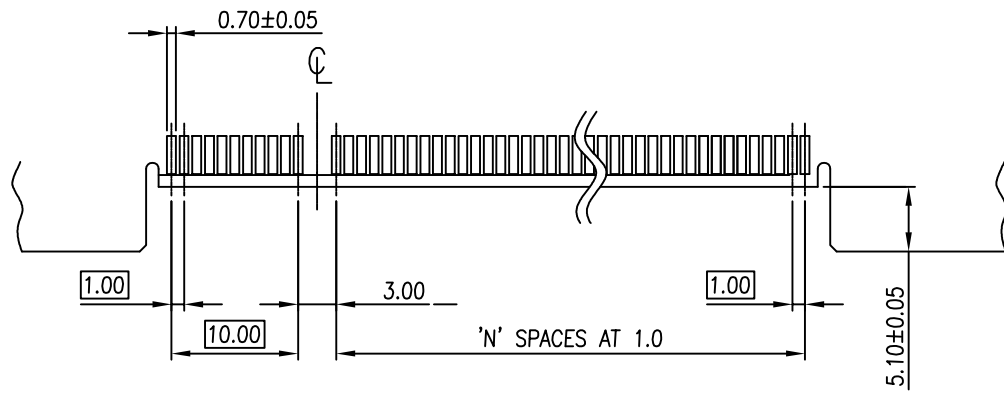
36	20.4
64	34.4
98	51.4
164	84.4
POSITION	DIM F

REV	See Sheet 1	NAME	DATE
ECN NO.			

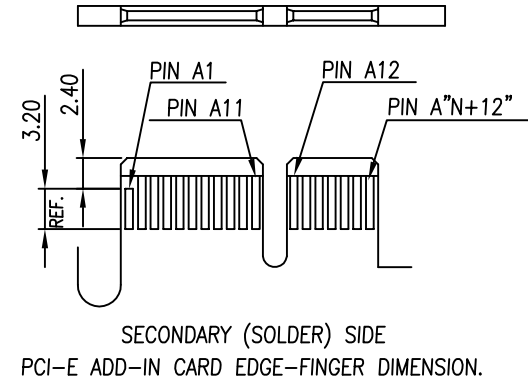
TOLERANCE	
LINEAR	ANGLES
X. ± 0.40	X' ±
.X ± 0.30	.X' ±
.XX ± 0.20	.XX' ±
.XXX ± 0.10	.XXX' ±

UMax conn 东莞市友贸实业有限公司 DONGGUAN UMAX ENTERPRISE LIMITED	
APPD: Jason	MAT'L:
CHKD: Schumi	FINISH:
DRWN: Lei Songping	Q'TY:

TITLE: PCI EXPRESS CARD EDGE CONNECTOR STRADDLE MOUNT TYPE				
PART NO. 3157-10X0D		DWG NO. 3157		
	UNITS	SCALE	SHEET	REV
	MM	1 : 1	2 OF 3	1



← I/O PANEL DIRECTION
PRIMARY (COMPONENT) SIDE



RECOMMENDED PCB LAYOUT
PCB TOLERANCE: ±0.05

6. NO TIE BAR PERMITTED FROM CARD EDGE TO
LEADING EDGE OF PAD FOR PINS A1 AND "K"
△ CHAMFER EDGE MUST BE FREE OF CUTTING BURRS

164	70	87	73.5	72.15	B17,B31,B48,B81
98	37	54	40.5	39.15	B17,B31,B48
64	20	37	23.5	22.15	B17,B31
36	6	23	9.5	8.15	B17
POS.	N	DIM.E	DIM.J	DIM.F	"K"

TOLERANCE		UMax 东莞市友贸实业有限公司 DONGGUAN UMAX ENTERPRISE LIMITED	
LINEAR	ANGLES	APPD:	MAT'L:
X.±0.40	X'±	Jason	
.X±0.30	.X'±	CHKD: Schumi	FINISH:
.XX±0.20	.XX'±	DRWN: Lei Songping	Q'TY:
.XXX±0.10	.XXX'±		

TITLE: PCI EXPRESS CARD EDGE CONNECTOR STRADDLE MOUNT TYPE			
PART NO. 3157-10X0XD		DWG NO. 3157	
UNITS	SCALE	SHEET	REV
MM	1 : 1	3 OF 3	1

See Sheet 1			
REV	ECN NO.	NAME	DATE

X-ON Electronics

Largest Supplier of Electrical and Electronic Components

Click to view similar products for [Board to Board & Mezzanine Connectors](#) category:

Click to view products by [UMAX](#) manufacturer:

Other Similar products are found below :

[589158040000018](#) [MDF7C-18P-2.54DSA\(55\)](#) [FCN-268F036-G/BD](#) [FCN-268M012-G/0D](#) [FCN-268M024-G/1D](#) [FCN-723J004/1](#) [MIS-048-01-F-D-DP-K](#) [832-10-034-10-001000](#) [FX4C-80S-1.27DSA](#) [93696-330](#) [224393](#) [FCN-235D050-G/C](#) [210-93-314-41-105000](#) [2-22603-0](#) [MDF7-40DP-2.54DSA\(55\)](#) [5031084030](#) [MIT-114-03-F-D-K](#) [55323-1519](#) [45970-4130](#) [YFT-20-05-H-03-SB-K](#) [503308-3040](#) [026-6203-PDB](#) [027-6203-PDB](#) [069159702701000](#) [101A10019X](#) [105061100000861+](#) [55650-0588-C](#) [75140-7012](#) [87471-650](#) [YTW-30-07-H-Q-410-140](#) [YTT-112-01-H-Q](#) [063209](#) [0717420006](#) [FCN-268F024-G0D](#) [10124054-515LF](#) [68685-603](#) [8-1616154-3](#) [MIS-019-01-F-D](#) [IL-WX-10PB-HF-B-E1000E](#) [YFT-50-05-H-10-SB-K](#) [FCN-268M024-G/3D](#) [MDF7-16DP-2.54DSA\(55\)](#) [AXE810124](#) [FCN-214J100-G/0](#) [FCN-230C068-E/S](#) [AXE812124](#) [74220-001](#) [354184](#) [P50-028-DDS-TG](#) [53309-2471](#)