

1	REV	ECN NO.	NAME	DATE	.XXX±0.08	.XX±	DRWN: Terry	Q'TY:	7	8
2	0		Terry	Jun,27,2012	.XX±0.15	.XX±	CHKD: Schumi	FINISH:	6	INSPECTION
3					.X±0.20	.X±	APPD: Jason	MAT'L:	5	
4					X.±0.30	X.±			4	
5	TOLERANCE		LINEAR						3	
6			ANGLES						2	
7	PART NO.		DONGGUAN UMAXCONN ENTERPRISE LIMITED		UMax		DONGGUAN UMAXCONN ENTERPRISE LIMITED		1	
8	DWG NO.		3157-10X0D		TITLE: PCI EXPRESS CARD EDGE CONNECTOR		STRADDLE MOUNT TYPE		0	

POSITION	A ±0.20	B +0.15 -0.05	C ±0.15	D +0.00 -0.15
36	25.00	7.65	6	23
64	39.00	21.65	20	37
98	56.00	38.65	37	54
164	89.00	71.65	70	87

DIMENSIONS				
164	89.00	71.65	70	87
98	56.00	38.65	37	54
64	39.00	21.65	20	37
36	25.00	7.65	6	23
POSITION	A ±0.20	B +0.15 -0.05	C ±0.15	D +0.00 -0.15

NOTES:

- MATERIAL: PA9T (KURARU GN2330), UL94 V-0; COLOR: BLACK
- DUMMY CARD: LCP (E488I)
- CONTACT: PHOSPHOR BRONZE, C5191-H t=0.25mm.
- FINISH: 2.1 CONTACT: SELECTIVE GOLD PLATING ON CONTACT AREA. 100u" MIN. MATTE-TIN PLATING ON SOLDER TAIL AREA. 50u" MIN. NICKEL UNDERPLATING OVERALL.
- "①" IS MAJOR DIMENSION FOR QC
- "②" SHOWS FAI MEASUREMENT ITEMS.
- PRODUCT SPEC: PS-3GIO-01
- PACKAGING SPEC: 318304001
- PART NO.

PCI EXPRESS Series No. 3157 - 10 X 0 X D

Packing Options

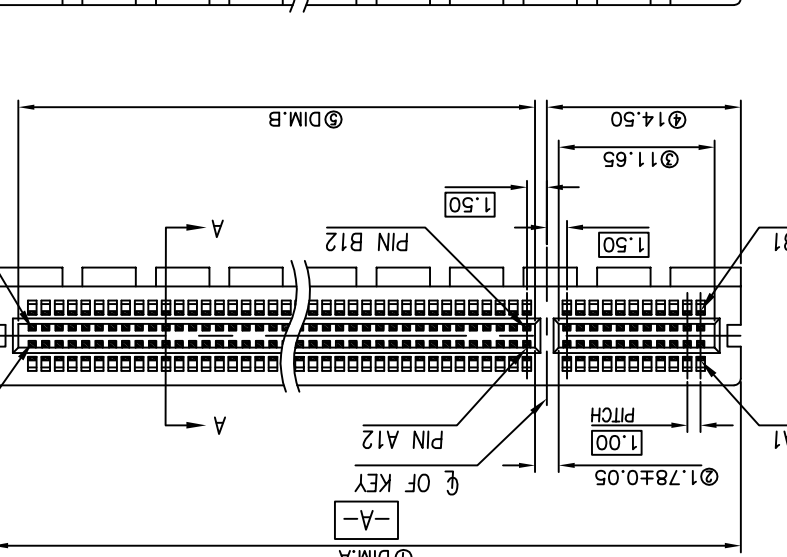
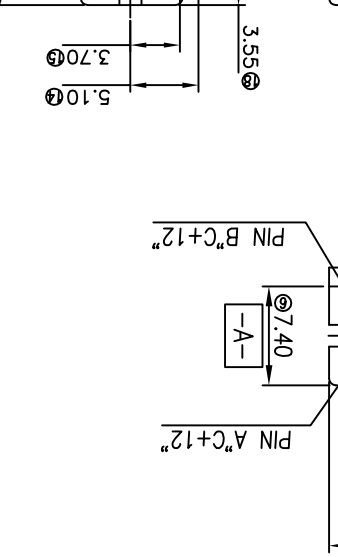
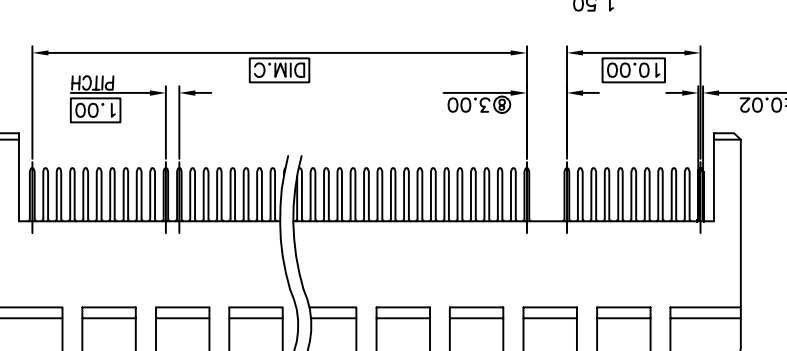
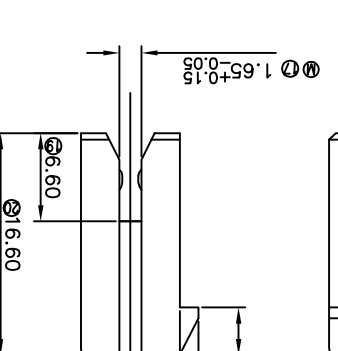
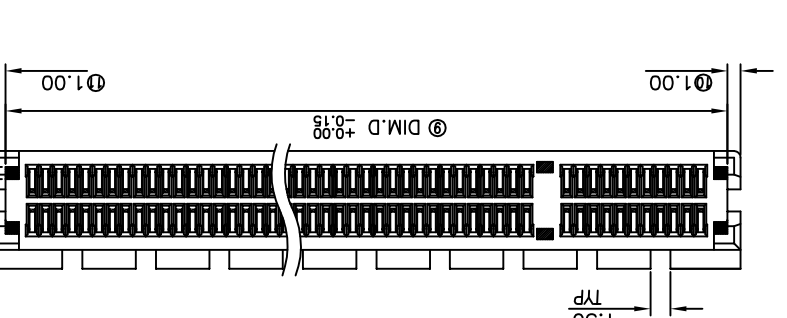
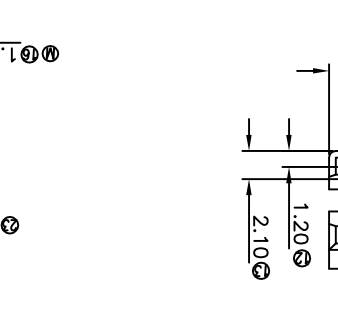
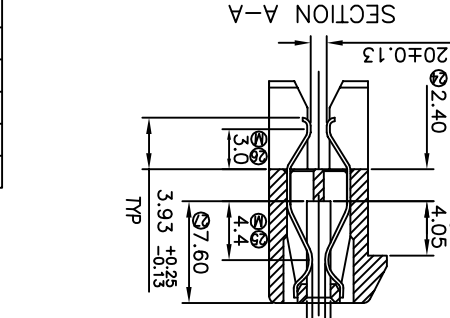
D: Tray With Dummy Card

No. of Pins

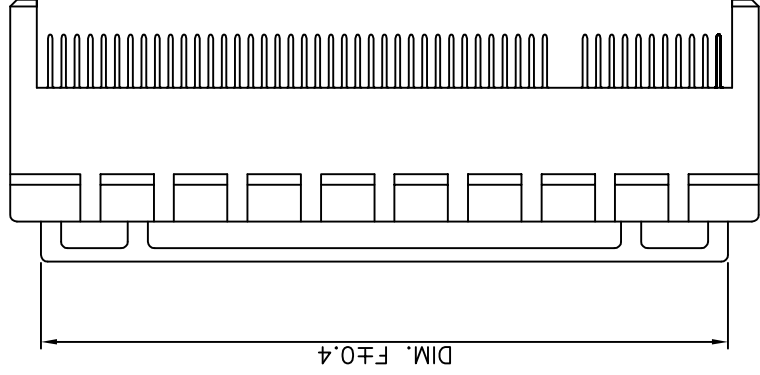
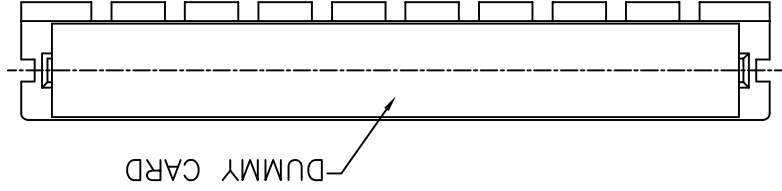
1: 64P
2: 98P
3: 164P

0: 36P
Contact Plating

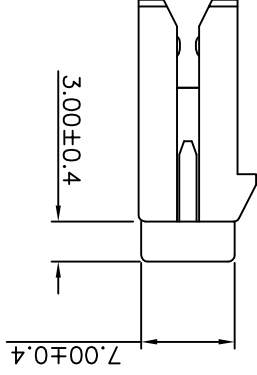
0: Natural
1: Black
2: 1u" Gold
0: 30u" Gold
1: 15u" Gold
2: 1u" Gold



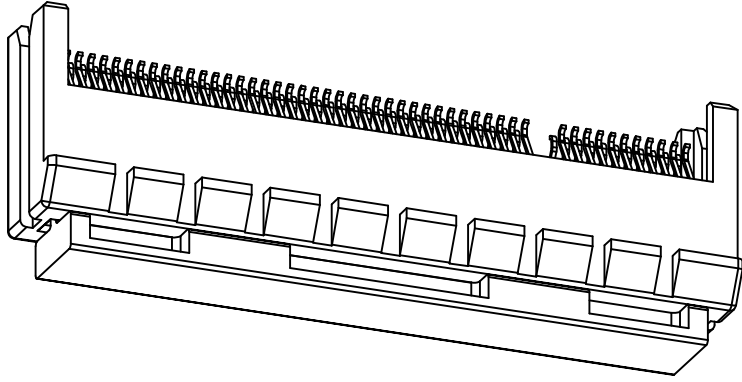
1	2	3	4	5	6	7	8
---	---	---	---	---	---	---	---



ASSEMBLY WITH CAP CONDITION



POSITION	DIM F
164	84.4
98	51.4
64	34.4
8.1	20.4



REV		ECN NO.	NAME	DATE	.XXX±.08	.XXX±	DRWN: Terry	Q'TY:	7		8	
SEE SHEET 1					.XX±.15	.XX±	CHKD: Schumi	FINISH:	315705001		INSPECTION	
					.X±.20	.X±	APPD: Jason	MAT'L:	DWG NO.			
					X.±.30	X.±	DONGGUAN UMAXCONN ENTERPRISE LIMITED		PART NO.			
TOLERANCE		LINEAR	ANGLES			UMax conn		TITLE: PCI EXPRESS CARD EDGE CONNECTOR		3157-10X0XD		
						东莞市友贸实业有限公司		UNITS		SCALE		
								MM		1 : 1		
								2 OF 2				
								REV				

1 2 3 4 5 6 7 8

D

C

B

A

1

D

C

B

A

X-ON Electronics

Largest Supplier of Electrical and Electronic Components

Click to view similar products for [Standard Card Edge Connectors](#) category:

Click to view products by [UMAX](#) manufacturer:

Other Similar products are found below :

[6565204-6](#) [PKC-156](#) [1437274-4](#) [147889-1](#) [1489165-4](#) [EBT156-12B1X](#) [EBT15622B2X](#) [EBT156-22R2W](#) [1-582587-1](#) [1-582589-1](#) [2-6437275-9](#) [284-0102-12100](#) [306022901000000](#) [307-012-502-202](#) [307-024-526-201](#) [307-056-520-300](#) [307-080-526-208](#) [1926088-2](#) [245-062-520-350](#) [287-0032-12101](#) [306-010-500-112](#) [306-028-525-102](#) [306-240-318](#) [307-036-502-202](#) [307-036-521-301](#) [307-072-526-202](#) [345-060-559-303](#) [368-004-520-201](#) [392-008-559-201](#) [534671-1](#) [5-530501-5](#) [341-240-317](#) [345-029-520-300](#) [345-030-500-301](#) [345-044-500-300](#) [345-220-058](#) [346-240-318](#) [387-012-523-300](#) [395-044-520-300](#) [395-100-524-300](#) [50-12B-10](#) [50-6SN-5](#) [09-07-2032](#) [10035388-106LF](#) [10035388-802LF](#) [10115859-011LF](#) [10122859-009LF](#) [101269333204245CLF](#) [10127905-B04B24BLF](#) [530555-1](#)