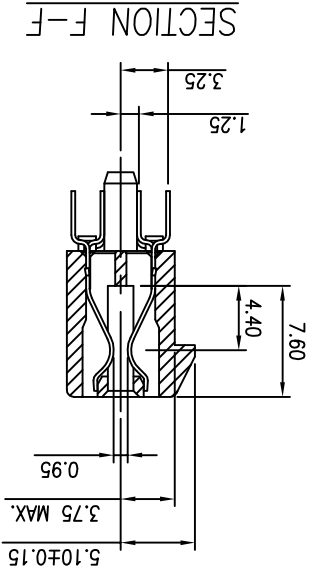
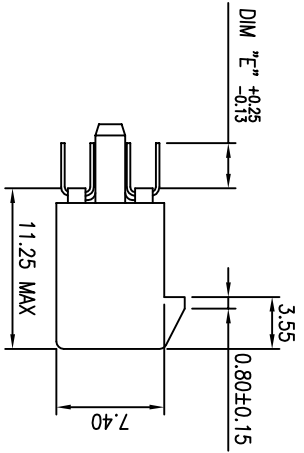
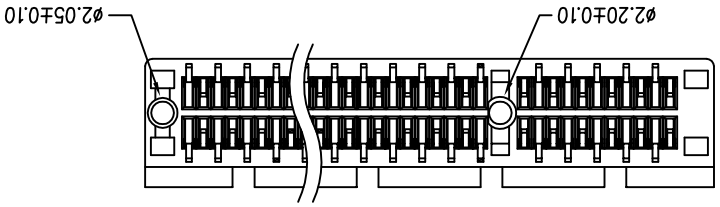
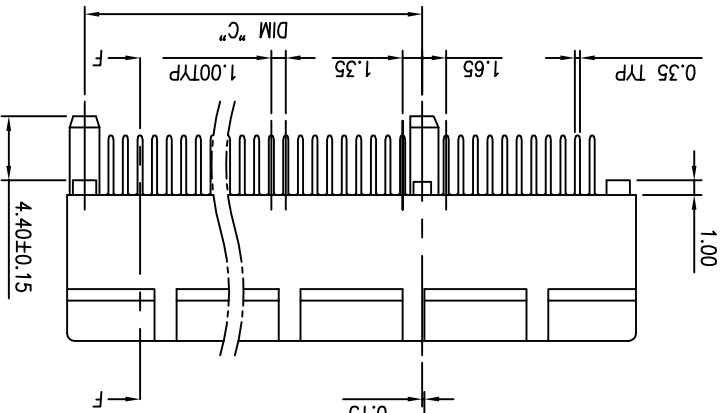
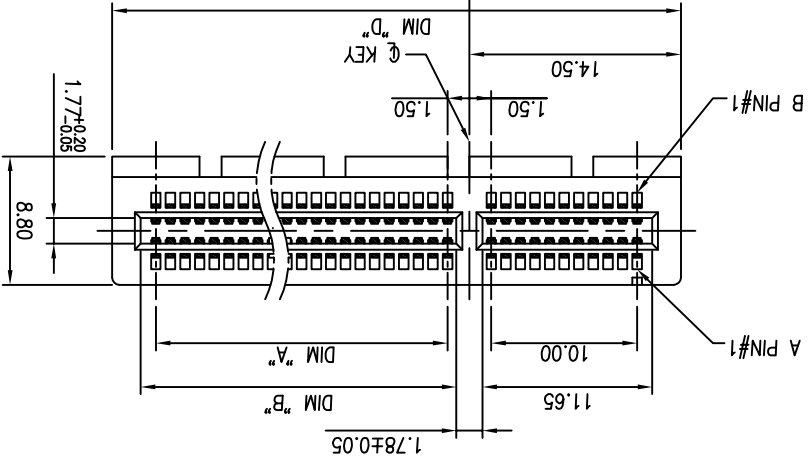


DIMENSIONS				
POSITION	A $\pm 0.10$	B $^{+0.15}_{-0.05}$	C $\pm 0.20$	D $\pm 0.23$
36	6	7.65	9.15	25.00
64	20	21.65	23.15	39.00
98	37	38.65	40.15	56.00
164	70	71.65	73.15	89.00



TOLERANCE

LINEAR

ANGLES

**Umax**  
DONGGUAN UMAXCONN ENTERPRISE LIMITED  
东莞市友贸实业有限公司

TITLE:

PCI EXPRESS 1.0mm  
CARD EDGE ASSY

PART NO. 3183-XXXXPXT  
DWG NO. 318307001

REV	ECN NO.	NAME	DATE	.XXX±.10	.XXX±	DRWN: Schumi	Q'TY:
A	94035	Schumi	Oct,28,2005	.XX±0.20	.XX±	CHKD: Jason	FINISH:
B	09026	Terry	Jul,10,2009	.X±0.30	.X±	APPD: John	MAT'L:
B0		Terry	May,11,2011	X±0.40	X±		

MM	UNITS	SCALE	1 OF 5	BO
1 : 1	SHEET	1 OF 5		

DUAL POST TYPE

CUSTOMER 8

1 2 3 4 5 6 7 8

POSITION	A $\pm 0.10$	B $^{+0.15}_{-0.05}$	C $\pm 0.20$	D $\pm 0.23$
36	6	7.65	9.15	25.00
64	20	21.65	23.15	39.00
98	37	38.65	40.15	56.00
164	70	71.65	73.15	89.00

DIM E	PCB THICKNESS	DIM F
2.30	1.56	1.7
3.10	2.36	2.5
2.54	1.56	1.7

DIM "F"	$\pm 0.15$
7.40	
11.25 MAX	

DIM "E"	$^{+0.25}_{-0.13}$
2.72wX0.6t	

DIM "C"	1.00TYP
1.35	
1.65	

DIM "D"	$\phi$ KEY
1.50	
1.50	
1.77 $^{+0.20}_{-0.08}$	
8.80	

DIM "A"	11.65
10.00	
1.78 $\pm 0.05$	

DIM "B"	1.78 $\pm 0.05$
1.78 $\pm 0.05$	

DIM "C"	1.00TYP
1.35	
1.65	

DIM "E"	$^{+0.25}_{-0.13}$
2.72wX0.6t	

DIM "F"	$\pm 0.15$
7.40	
11.25 MAX	

DIM "C"	1.00TYP
1.35	
1.65	

DIM "E"	$^{+0.25}_{-0.13}$
2.72wX0.6t	

DIM "F"	$\pm 0.15$
7.40	
11.25 MAX	

DIM "C"	1.00TYP
1.35	
1.65	

DIM "E"	$^{+0.25}_{-0.13}$
2.72wX0.6t	

DIM "F"	$\pm 0.15$
7.40	
11.25 MAX	

DIM "C"	1.00TYP
1.35	
1.65	

DIM "E"	$^{+0.25}_{-0.13}$
2.72wX0.6t	

DIM "F"	$\pm 0.15$
7.40	
11.25 MAX	

1 2 3 4 5 6 7 8

REV	ECN NO.	NAME	DATE
REV	See Sheet 1		

APPD:	MAT'L:	DWG NO.
Jason		318307001

CHKD:	FINISH:	UNITS	SCALE	SHEET	REV
Schumi		MM	1:1	2 OF 5	BO

DRWN:	Schumi	Q'TY:

TITLE:	PART NO.
PCI EXPRESS 1.0mm CARD EDGE ASSY	3183-XXXXXPXT

Umax	comn
东莞市外贸实业有限公司	DONGGUAN UMAGCONN ENTERPRISE LIMITED

LINEAR	ANGLES
X $\pm 0.40$	X $\pm$

TOLERANCE
X $\pm 0.30$
.XXX $\pm 0.10$
.XXX $\pm$

DATE	NAME

REV	ECN NO.
REV	See Sheet 1

APPD:	MAT'L:	DWG NO.
Jason		318307001

CHKD:	FINISH:	UNITS	SCALE	SHEET	REV
Schumi		MM	1:1	2 OF 5	BO

DRWN:	Schumi	Q'TY:

TITLE:	PART NO.
PCI EXPRESS 1.0mm CARD EDGE ASSY	3183-XXXXXPXT

Umax	comn
东莞市外贸实业有限公司	DONGGUAN UMAGCONN ENTERPRISE LIMITED

LINEAR	ANGLES
X $\pm 0.40$	X $\pm$

TOLERANCE
X $\pm 0.30$
.XXX $\pm 0.10$
.XXX $\pm$

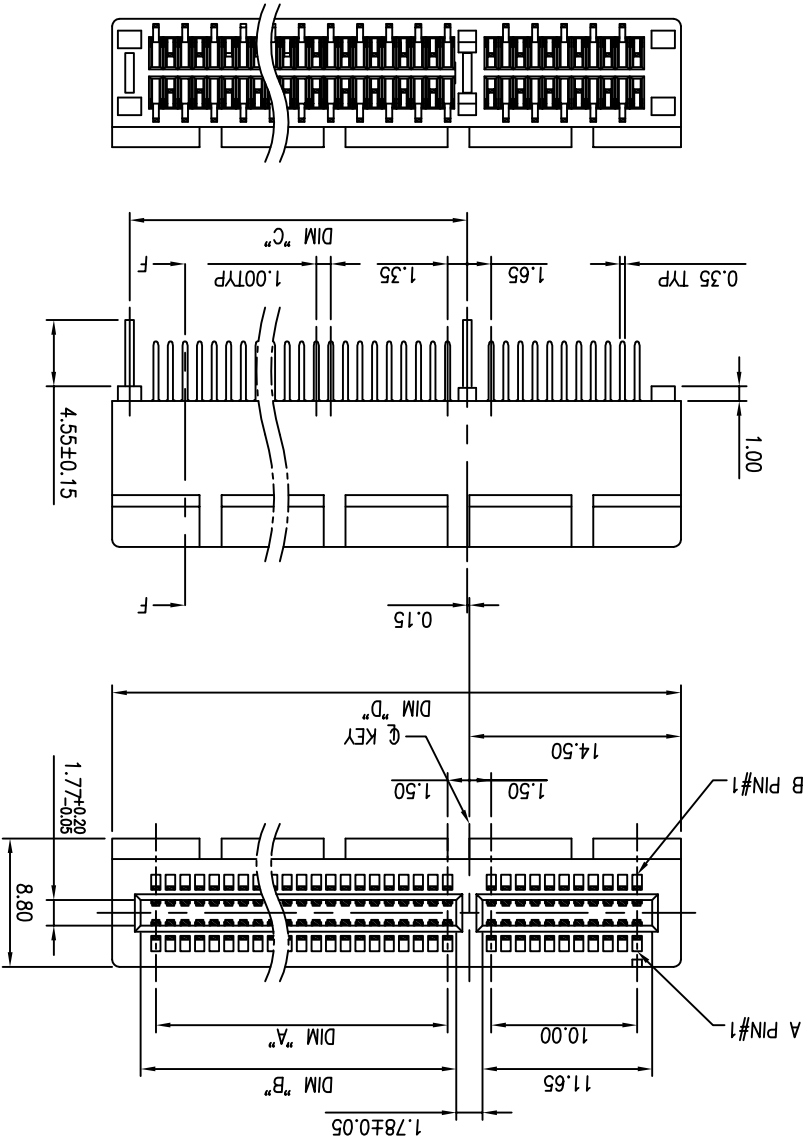
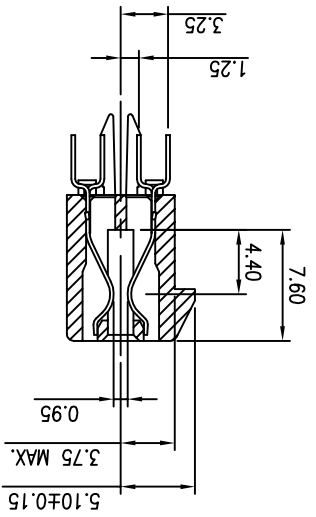
DATE	NAME

REV	ECN NO.
REV	See Sheet 1

APPD:	MAT'L:	DWG NO.
Jason		318307001

CHKD:	FINISH:	UNITS	SCALE	SHEET	REV
Schumi		MM	1:1	2 OF 5	BO

SECTION F-F

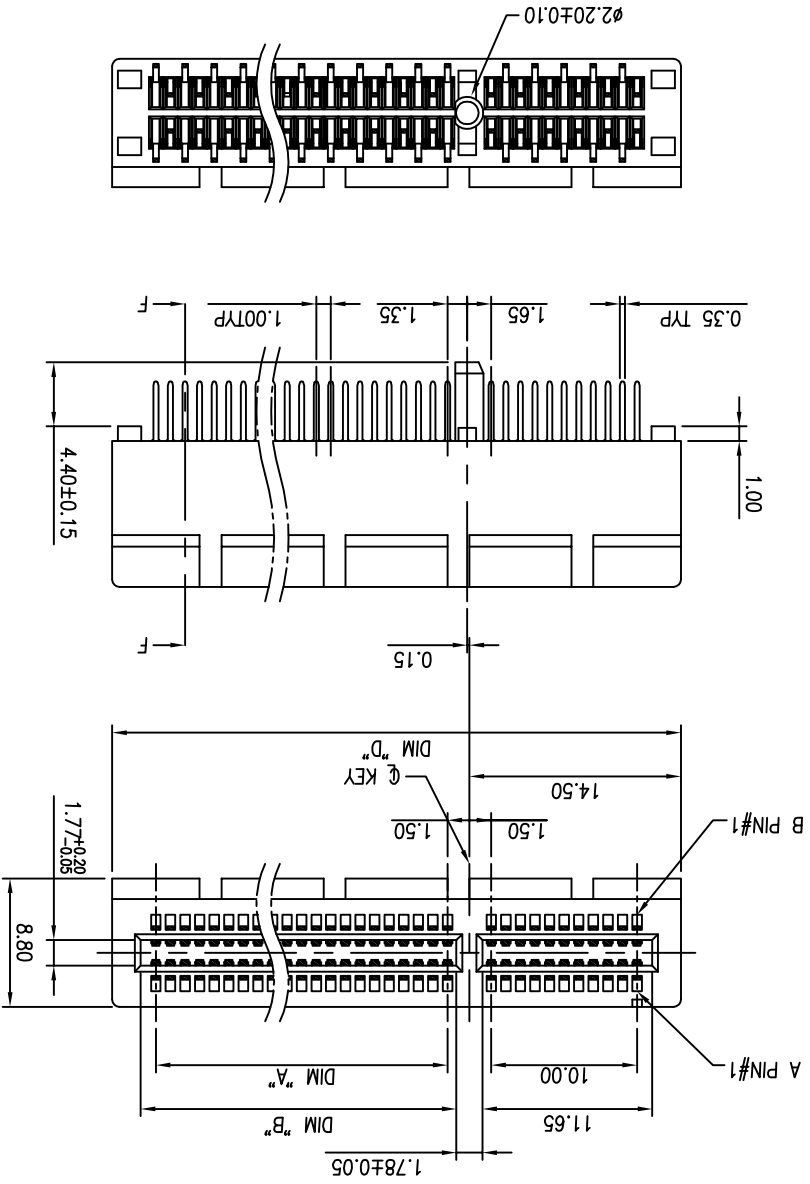
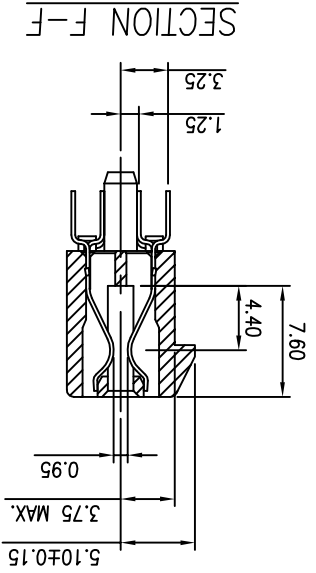


CLIP TYPE

1 2 3 4 5 6 7 8

DIMENSIONS			
POSITION	A $\pm 0.10$	B $+0.15$ $-0.05$	D $\pm 0.23$
36	6	7.65	25.00
64	20	21.65	39.00
98	37	38.65	56.00
164	70	71.65	89.00

A B C D

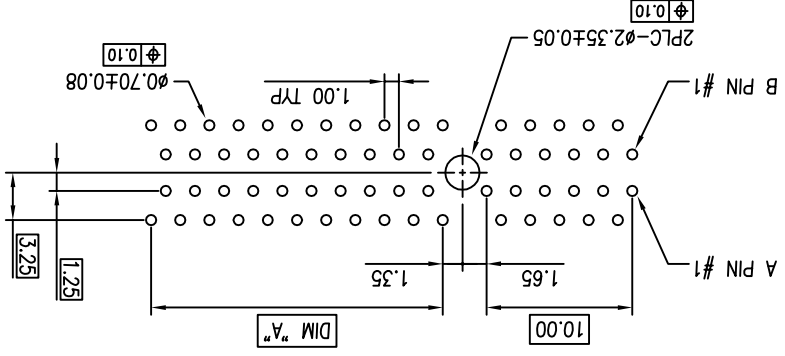


SINGLE POST TYPE

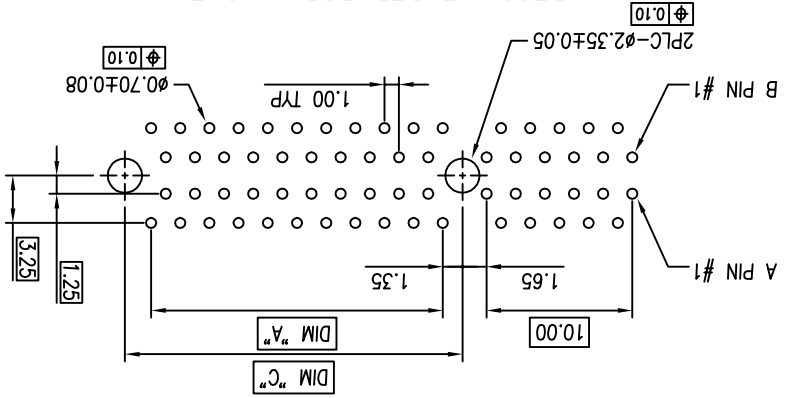
REV	ECN NO.	NAME	DATE	4 .XXX±0.10 .XXX±	5 DRWN: Schumi	6 Q'TY:	7 MM	8 CUSTOMER
REV	See Sheet 1			.XX±0.20 .X±	CHKD: Schumi	FINISH:	UNITS	3 OF 5
				.X±0.30 .X±	APPD: Jason	MAT'L:	DWG NO.	BO
				X.±0.40 X.±	PART NO. 3183-XXXXPXT			
TOLERANCE				TITLE: PCI EXPRESS 1.0mm CARD EDGE ASSY				
LINEAR ANGLES				DONGGUAN UMAXCONN ENTERPRISE LIMITED				
UMax conn				东莞市友贸实业有限公司				

REV	ECN NO.	NAME	DATE	.XXX .XXX±	DRWN: Schumi	Q'TY:	7
See Sheet 1				.XX .XX±	CHKD: Schumi	FINISH:	6
				.X .X±	APPD: Jason	MAT'L:	5
				X. X.±	 <b>UMax</b> 东莞市外贸实业有限公司 DONGGUAN UMAXCONN ENTERPRISE LIMITED		4
TOLERANCE		LINEAR		ANGLES		PART NO. 3183-XXXXPXT	3
						TITLE: PCI EXPRESS 1.0mm CARD EDGE ASSY	2
						DWG NO. 318307001	1
REV	SHEET	SCALE	1:1	4 OF 5	BO	CUSTOMER	8

TOLERANCE: ±0.05  
SINGLE POST TYPE  
RECOMMENDED PCB LAYOUT

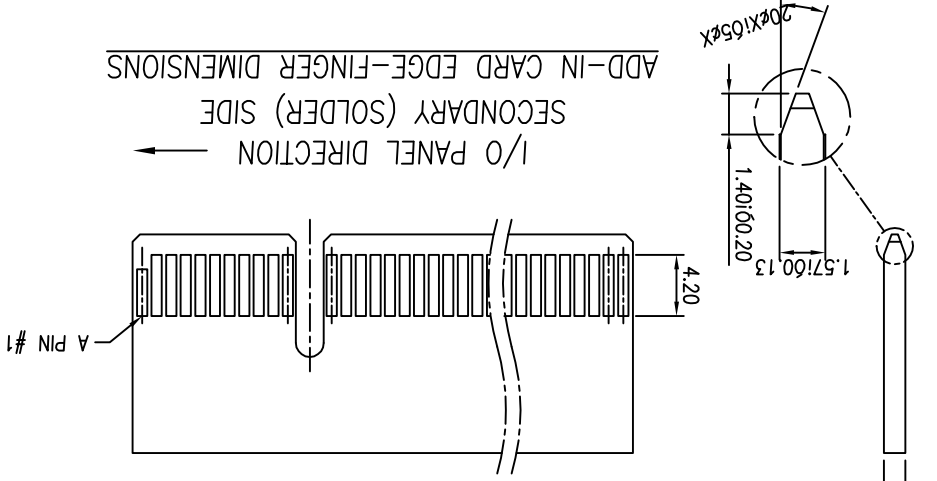


TOLERANCE: ±0.05  
POST TYPE & CLIP TYPE  
RECOMMENDED PCB LAYOUT

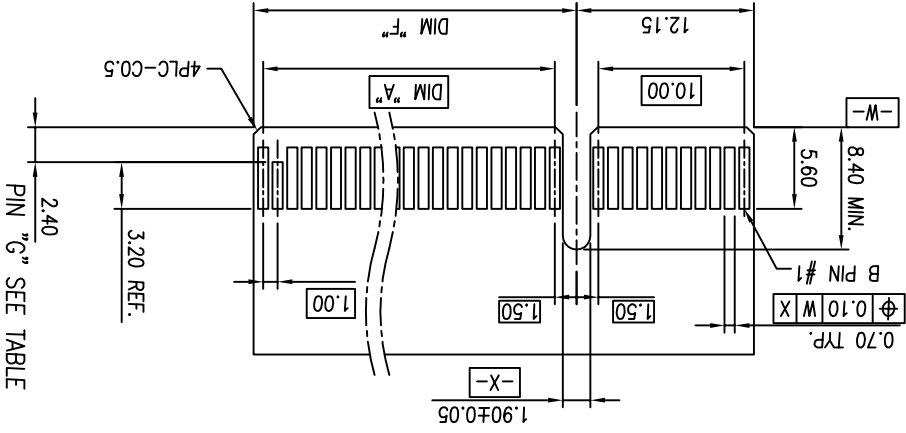


DIMENSIONS		POSITION	
A	B	A	B
B PIN#17	8.15	A	70
B PIN#31	22.15	C	37
B PIN#48	39.15	F ±0.20	164
B PIN#81	72.15		70

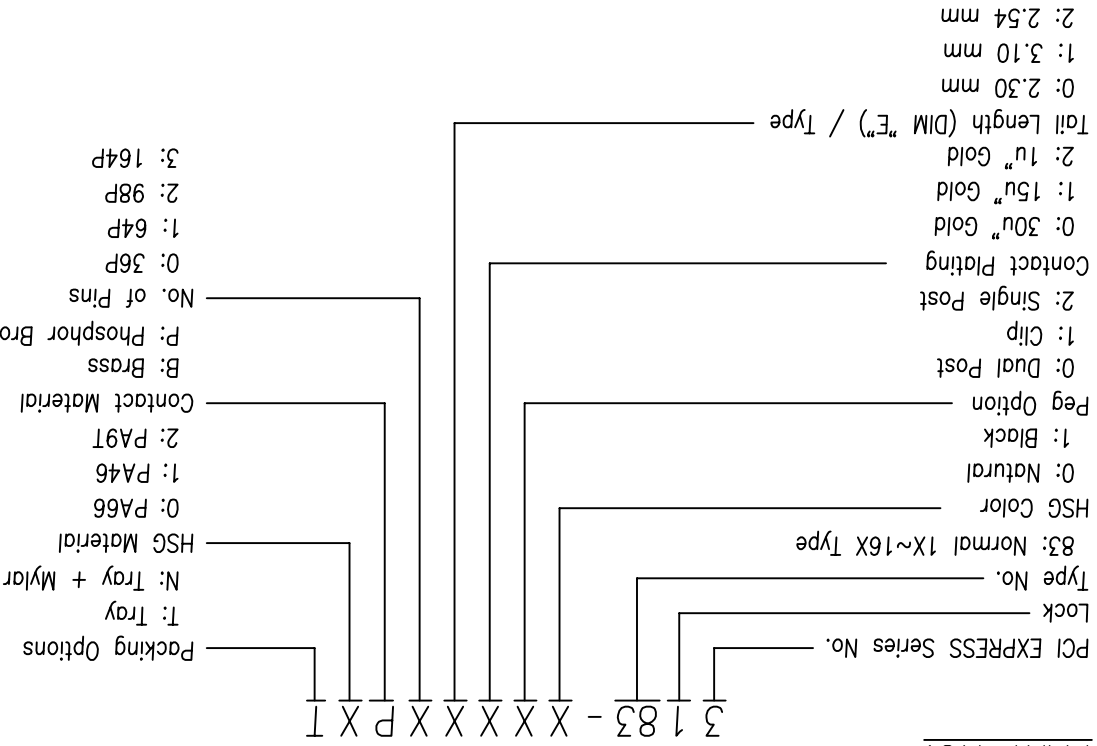
I/O PANEL DIRECTION  
SECONDARY (SOLDER) SIDE  
ADD-IN CARD EDGE-FINGER DIMENSIONS



I/O PANEL DIRECTION  
PRIMARY (COMPONENT) SIDE



- NOTES:
- MATERIAL: 1.1 HOUSING: THERMOPLASTIC, HIGH TEMP., UL94V-0;
  - COLOR: SEE PART NO.
  - 1.2 CONTACTS: COPPER ALLOY.
  - 1.3 CLIP: COPPER ALLOY.
  - FINISH: 2.1 CONTACT: SELECTIVE GOLD PLATING ON CONTACT AREA, 100µ" MIN. MATTE TIN PLATING ON SOLDER TAILS, 50µ" MIN. NICKEL UNDERPLATING OVERALL.
  - CLIP: 2.2 100µ" MIN. MATTE-TIN OVER 50µ" MIN NICKEL PLATING.
  - PRODUCT SPEC.: PS-3G10-01
  - PACKING SPEC.: 318304001



1. MATERIAL: 1.1 HOUSING: THERMOPLASTIC, HIGH TEMP., UL94V-0;

COLOR: SEE PART NO.

1.2 CONTACTS: COPPER ALLOY.

1.3 CLIP: COPPER ALLOY.

2. FINISH:

2.1 CONTACT:

SELECTIVE GOLD PLATING ON CONTACT AREA.

100µ" MIN. MATTE TIN PLATING ON SOLDER TAILS,

50µ" MIN. NICKEL UNDERPLATING OVERALL.

2.2 CLIP:

100µ" MIN. MATTE-TIN OVER 50µ" MIN NICKEL PLATING.

3. PRODUCT SPEC.: PS-3G10-01

4. PACKING SPEC.: 318304001

PART NO.

3183-XXXXPXT

TOLERANCE		X.±	X.±	APPD: Jason	MAT'L:	DWG NO. 318307001
LINEAR	ANGLES	X.±	X.±	CHKD: Schumi	FINISH:	PART NO. 3183-XXXXPXT
		.XXX±	.XXX±	DRWN: Schumi	Q'TY:	TITLE: PCI EXPRESS 1.0mm CARD EDGE ASSY

REV	ECN NO.	NAME	DATE	DATE	DATE	DATE	DATE	DATE	DATE
See Sheet 1									

MM	UNITS	SCALE	SHEET	REV
1 : 1			5 OF 5	BO

8 CUSTOMER

## X-ON Electronics

Largest Supplier of Electrical and Electronic Components

*Click to view similar products for [Standard Card Edge Connectors](#) category:*

*Click to view products by [UMAX](#) manufacturer:*

Other Similar products are found below :

[6565204-6](#) [PKC-156](#) [1437274-4](#) [147889-1](#) [1489165-4](#) [EBT156-12B1X](#) [EBT15622B2X](#) [EBT156-22R2W](#) [1-582587-1](#) [1-582589-1](#) [2-6437275-9](#) [284-0102-12100](#) [306022901000000](#) [307-012-502-202](#) [307-024-526-201](#) [307-056-520-300](#) [307-080-526-208](#) [1926088-2](#) [245-062-520-350](#) [287-0032-12101](#) [306-010-500-112](#) [306-028-525-102](#) [306-240-318](#) [307-036-502-202](#) [307-036-521-301](#) [307-072-526-202](#) [345-060-559-303](#) [368-004-520-201](#) [392-008-559-201](#) [534671-1](#) [5-530501-5](#) [341-240-317](#) [345-029-520-300](#) [345-030-500-301](#) [345-044-500-300](#) [345-220-058](#) [346-240-318](#) [357-030-526-201](#) [387-012-523-300](#) [395-044-520-300](#) [395-100-524-300](#) [50-12B-10](#) [50-6SN-5](#) [09-07-2032](#) [10035388-106LF](#) [10035388-802LF](#) [10115859-011LF](#) [10122859-009LF](#) [101269333204245CLF](#) [10127905-B04B24BLF](#)