

ONE BOARDLOCK (LEFT)

- NOTE:
- MATERIAL:
 - HOUSING: PA9T, UL94 V-0, COLOR: (SEE TABLE).
 - CONTACTS: BRASS.
 - FINISH:
 - CONTACTS: 3.05um [120u"] MIN. MATTE-TIN.
 - CONTACTS: 1.27um [50u"] MIN. NICKEL UNDERPLATED ALL OVER.
 - WAVE SOLDER CAPABLE TO 265°C PER TEST SPEC.
 - 109-202, CONDITION B.
 - NO TE LOGO AND DATE CODE ON THE PRODUCT WITH 4 POS.
 - TE LOGO & DATE CODE ▲
 5. THE KEY IDENTIFIED WAS SHOWN ON PAGE 5.

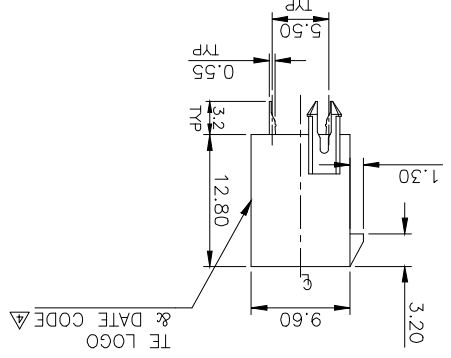
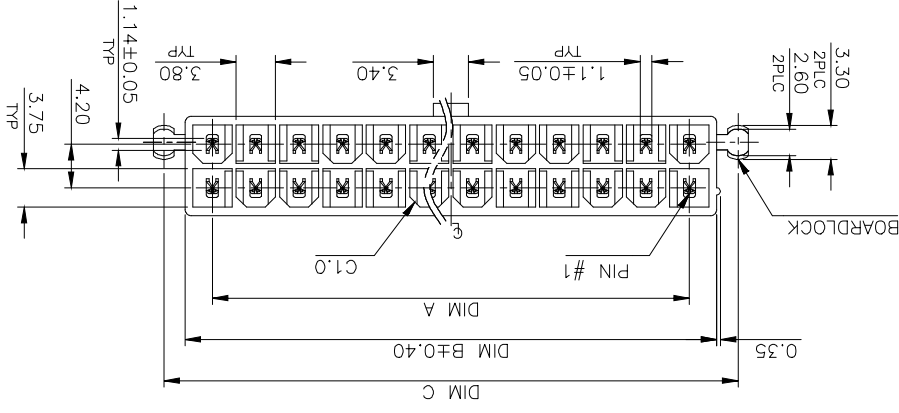
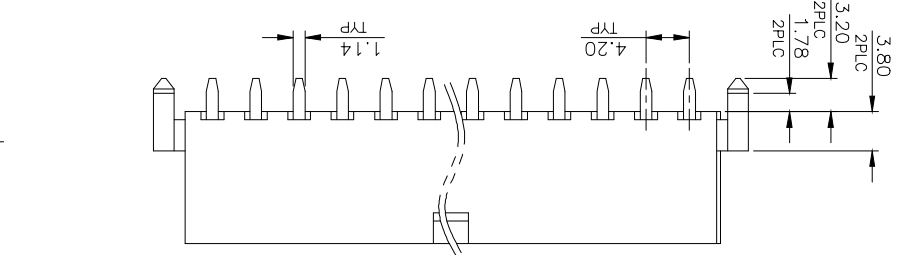
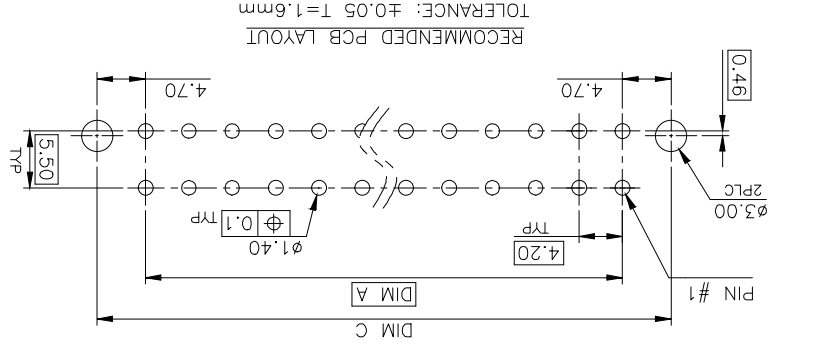
HSG COLOR & MATERIAL	WEIGHT	DIM A	DIM B	DIM C	POS.	PART NUMBER
IVORY PA9T	1.92	12.6	17.9	19.95	8	5099-5
	1.52	8.4	13.7	15.75	6	5099-6
	2.31	16.8	22.1	24.15	10	5099-7
	2.71	21.0	26.3	28.35	12	5099-8
	3.11	25.2	30.5	32.55	14	5099-9
	3.90	33.6	38.9	40.95	18	1-5099-0
	4.30	37.8	43.1	45.15	20	1-5099-1
	1.13	4.2	9.5	11.55	4	1-5099-2
	5.40	46.2	51.5	53.55	24	1-5099-3
	1.52	8.4	13.7	15.75	6	6-5099-6

TOLERANCE		TITLE:	
ANGLES	X±	ATX POWER CONNECTOR 4.2mm PITCH, VERTICAL, DIP TYPE	
LINEAR	X±0.40	PART NO. SEE TABLE	

REV	ECCN NO.	NAME	DATE	'XXX±	'XXX±	DRWN:	Q'TY:
				X±0.20	X±	CHKD: Schuml	FINISH:
				X±0.30	X±	APPD: Jason	MAT'L:

1	REV	ECON NO.	NAME	DATE	'XXX±	'XX±	'XX±	DRWN: Terry	Q'TY:	6	7	8 CUSTOMER
					X±0.10	X±0.20	X±0.30	CHKD: Schuml	FINISH:			
					X±	X±0.30	X±	APPD: Jason	MAT'L:			
					X±	X±0.40	X±	DONGGUAN UMAXCONN ENTERPRISE LIMITED				
	TOLERANCE		ANGLES	TITLE: ATX POWER CONNECTOR 4.2mm PITCH, VERTICAL, DIP TYPE								
	LINEAR		PART NO. SEE TABLE									
	DWG NO. C-5099											
	UNITS SCALE SHEET REV											
	MM 1:1 2 OF 6 0											

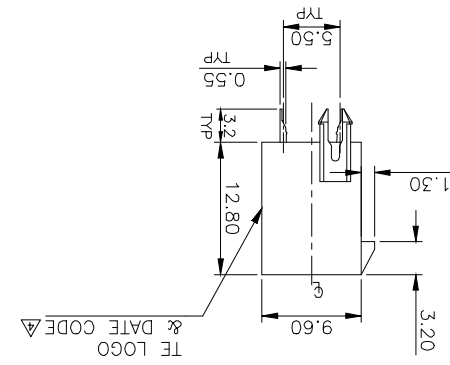
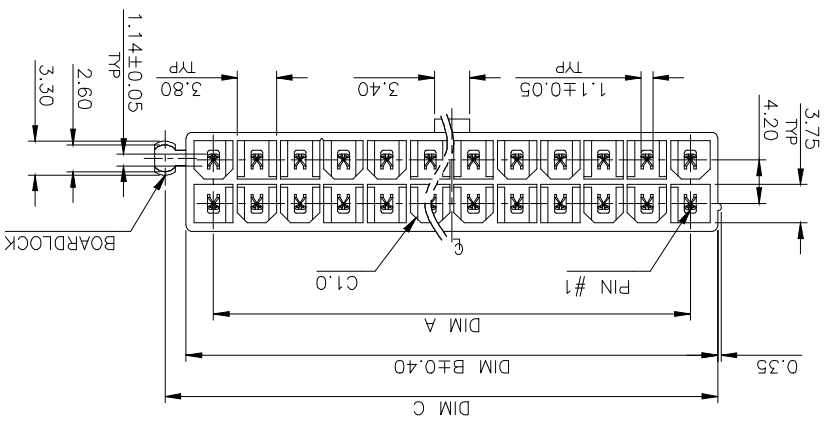
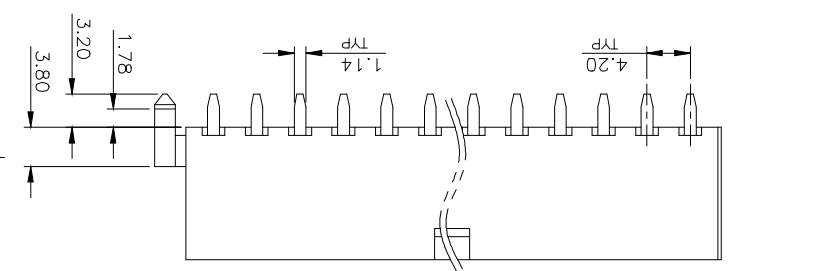
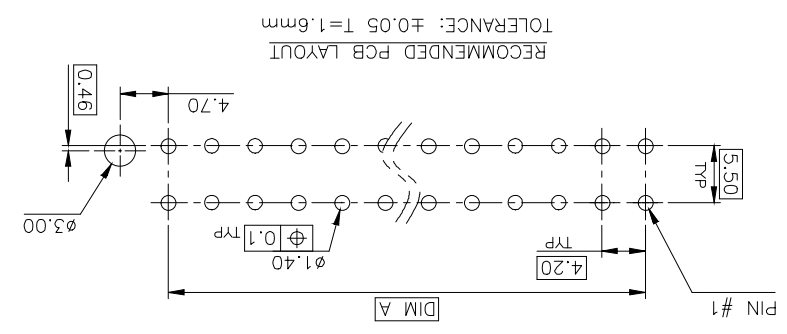
HSG COLOR & MATERIAL	WEIGHT	DIM A	DIM B	DIM C	POS.	PART NUMBER
IVORY PA9T	1.16	4.2	9.5	13.6	4	2-5099-0
	1.55	8.4	13.7	17.8	6	2-5099-1
	1.95	12.6	17.9	22.0	8	2-5099-2
	2.34	16.8	22.1	26.2	10	2-5099-3
	2.74	21.0	26.3	30.4	12	2-5099-4
	3.14	25.2	30.5	34.6	14	2-5099-5
	3.93	33.6	38.9	43.0	18	2-5099-6
	4.33	37.8	43.1	47.2	20	2-5099-7
	5.43	46.2	51.5	55.6	24	2-5099-8
	3.54	29.4	34.7	38.8	16	2-5099-9



TWO BOARDLOCK

- NOTE:
1. MATERIAL: HOUSING: PA9T, UL94 V-0, COLOR: (SEE TABLE). CONTACTS: BRASS.
 2. FINISH: CONTACTS: 3.05um [120u"] MIN. MATTE-TIN. 1.27um [50u"] MIN. NICKEL UNDERPLATED ALL OVER.
 3. WAVE SOLDER CAPABLE TO 265°C PER TEST SPEC. 109-202, CONDITION B.
 4. NO TE LOGO AND DATE CODE ON THE PRODUCT WITH 4 POS.
 5. THE KEY IDENTIFIED WAS SHOWN ON PAGE 5.

1	REV	ECON NO.	NAME	DATE	'XXX±	'XX±	DRWN: Terry	Q'TY:	6	7	8	
2					'XX±0.10	'XX±0.20	CHKD: Schuml	FINISH:				
3					'X±	'X±0.30	APPD: Jason	MAT'L:				
4					X±	X±0.40	Umax DONGGUAN UMAXCONN ENTERPRISE LIMITED 东莞市友贸实业有限公司		TITLE: ATX POWER CONNECTOR 4.2mm PITCH, VERTICAL, DIP TYPE			
5	TOLERANCE		ANGLES		PART NO.				SEE TABLE			
6	HSG COLOR & MATERIAL		WEIGHT		DIM A		DIM B		DIM C		POS.	
7	IVORY PA9T		1.13		4.2		9.5		11.55		4	
8			1.52		8.4		13.7		15.75		6	
			1.92		12.6		17.9		19.95		8	
			2.31		16.8		22.1		24.15		10	
			2.71		21.0		26.3		28.35		12	
			3.11		25.2		30.5		32.55		14	
			3.90		33.6		38.9		40.95		18	
			4.30		37.8		43.1		45.15		20	
			5.40		46.2		51.5		53.55		24	



ONE BOARDLOCK (RIGHT)

- NOTE:
- MATERIAL: HOUSING: PA9T, UL94 V-0, COLOR: (SEE TABLE).
 - CONTACTS: BRASS.
 - FINISH: CONTACTS: 3.05um [120u"] MIN. MATTE-TIN.
 - 1.27um [50u"] MIN. NICKEL UNDERPLATED ALL OVER.
 3. WAVE SOLDER CAPABLE TO 265°C PER TEST SPEC.
 - 109-202, CONDITION B.
 - NO TE LOGO AND DATE CODE ON THE PRODUCT WITH 4 POS.
 5. THE KEY IDENTIFIED WAS SHOWN ON PAGE 5.

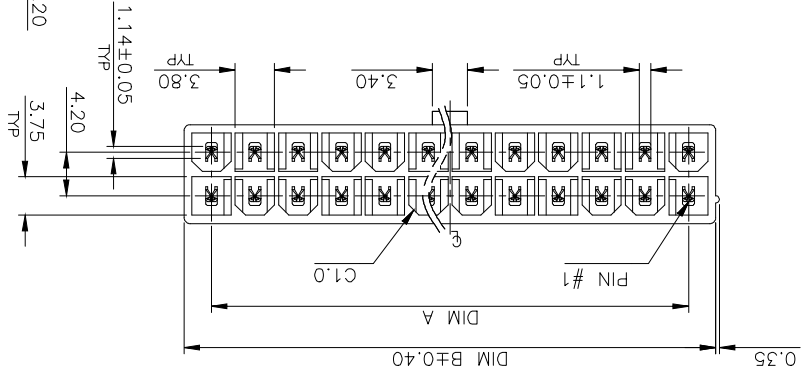
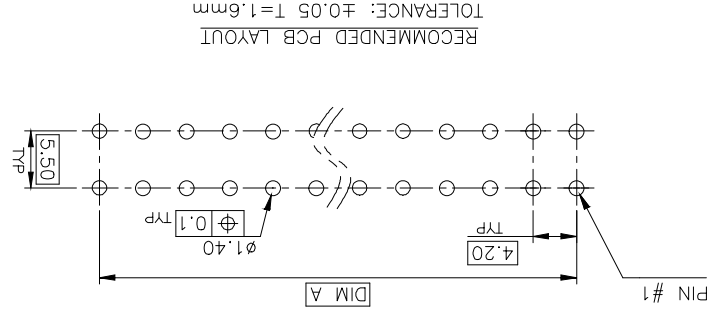
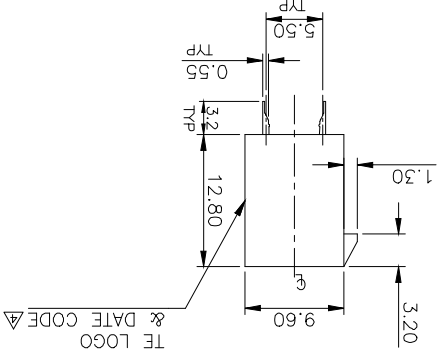
1	REV	ECON NO.	NAME	DATE	'XXX±	'XX±	'XX±	DRWN: Terry	Q'TY:	6	7	8	
2					X±0.10	X±0.20	X±	CHKD: Schuml	FINISH:				
3					X±0.30	X±	X±	APPD: Jason	MAT'L:				
4					X±0.40	X±	X±	Umax 东莞市外贸实业有限公司 DONGGUAN UMAGXONN ENTERPRISE LIMITED conn					
5	TOLERANCE		LINEAR	ANGLES									
6	TITLE:		ATX POWER CONNECTOR 4.2mm PITCH, VERTICAL, DIP TYPE										
7	PART NO.		SEE TABLE										
8	DWG NO.		C-5099										
	REV	SHEET	SCALE	1:1	4 OF 6	0							

HSG COLOR & MATERIAL	WEIGHT	DIM A	DIM B	POS.	PART NUMBER
IVORY PA9T	1.10	4.2	9.5	4	4-5099-0
	1.49	8.4	13.7	6	4-5099-1
	1.89	12.6	17.9	8	4-5099-2
	2.28	16.8	22.1	10	4-5099-3
	2.68	21.0	26.3	12	4-5099-4
	3.08	25.2	30.5	14	4-5099-5
	3.87	33.6	38.9	18	4-5099-6
	4.27	37.8	43.1	20	4-5099-7
5.37	46.2	51.5	24	4-5099-8	

NOTE:

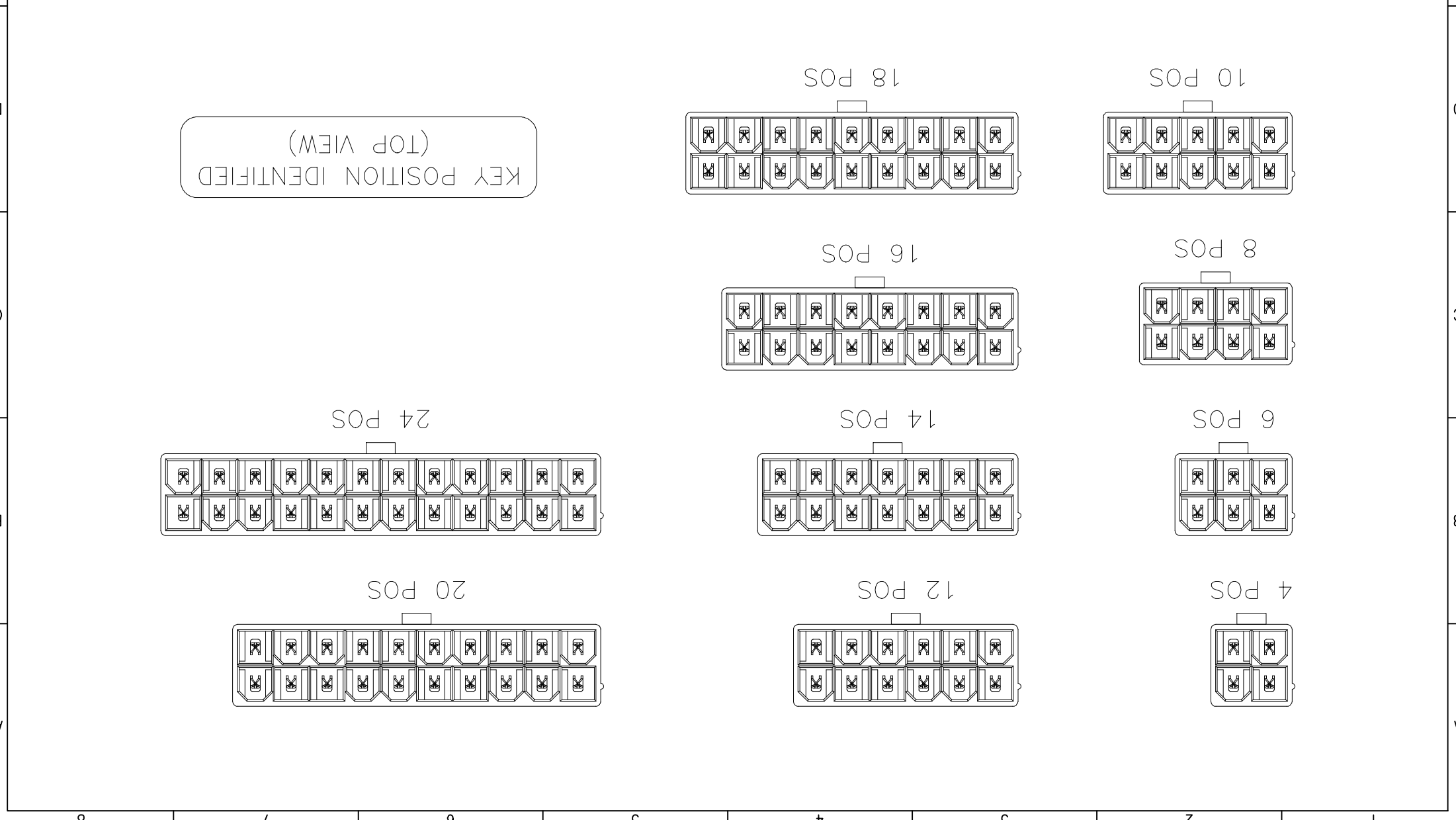
- MATERIAL: HOUSING: PA9T, UL94 V-0, COLOR: (SEE TABLE). CONTACTS: BRASS.
- FINISH: CONTACTS: 3.05um [120u"] MIN. MATTE-TIN. 1.27um [50u"] MIN. NICKEL UNDERPLATED ALL OVER.
- WAVE SOLDER CAPABLE TO 265°C PER TEST SPEC.
- 109-202, CONDITION B.
- NO TE LOGO AND DATE CODE ON THE PRODUCT WITH 4 POS.
- THE KEY IDENTIFIED WAS SHOWN ON PAGE 5.

NO BOARDLOCK



1		2		3		4		5		6		7		8	
REV		ECN NO.		NAME		DATE		XXX±		DRWN: Terry		Q'TY:		CUSTOMER	
								.XX±		CHKD: Schuml		FINISH:		0	
								.X±		APPD: Jason		MAT'L:		C-5099	
								X±		Umax 东莞市外贸实业有限公司 DONGGUAN UMAXCONN ENTERPRISE LIMITED conn		PART NO.		SEE TABLE	
								TOLERANCE				TITLE:		ATX POWER CONNECTOR 4.2mm PITCH, VERTICAL, DIP TYPE	
								ANGLES							
								LINEAR							

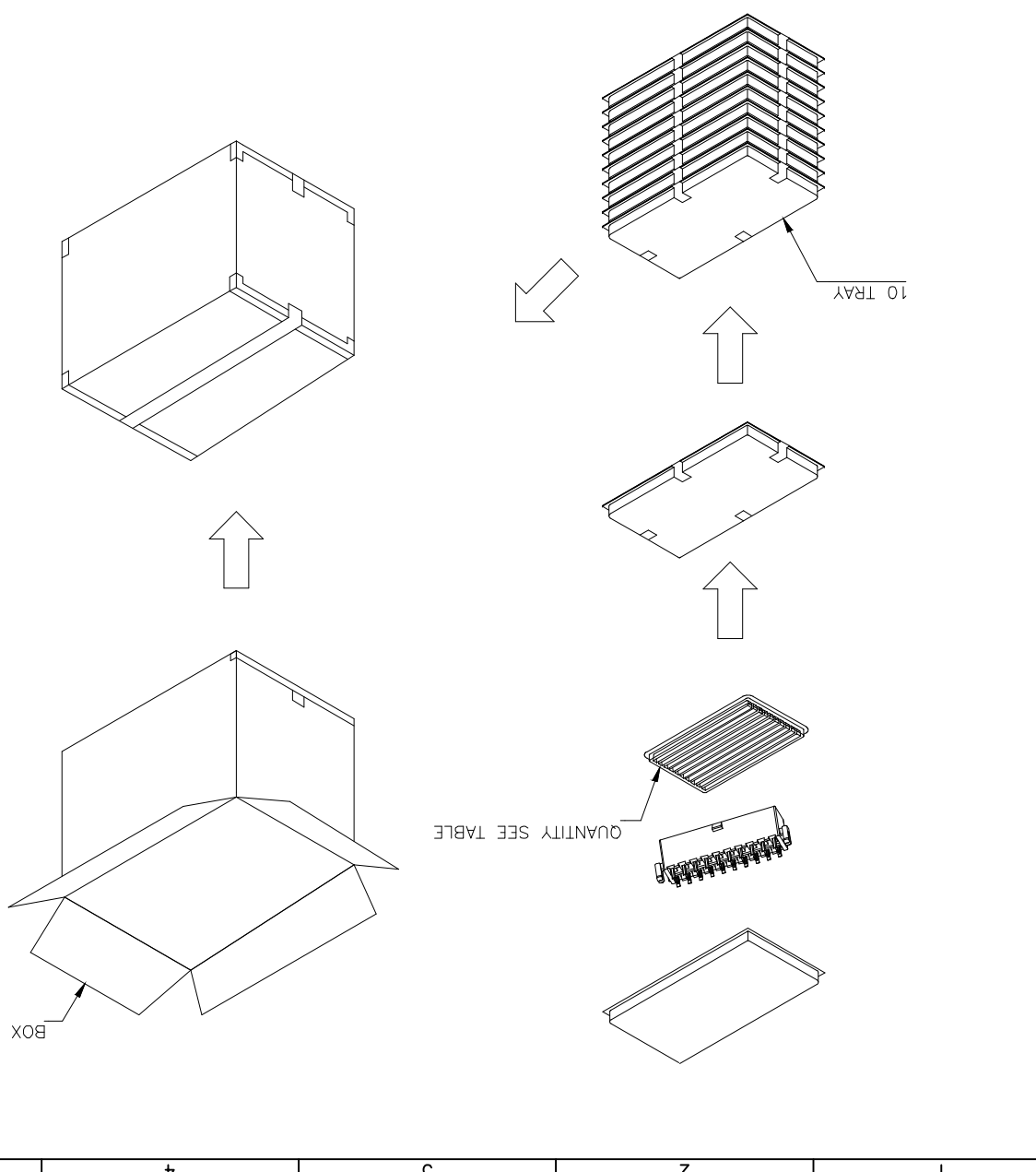
KEY POSITION IDENTIFIED
(TOP VIEW)



1	REV	ECON NO.	NAME	DATE	'XXX±	'XXX±	DRWN: Terry	Q'TY:	
2					'XX±0.20	'XX±	CHKD: Schuml	FINISH:	
3					'X±0.30	'±	APPD: Jason	MAT'L:	DWG NO. C-5099
4					X±0.40	X'±	Umax 东莞市外贸实业有限公司 DONGGUAN UMAXCONN ENTERPRISE LIMITED conn		
5	TOLERANCE		LINEAR	ANGLES					
6	TITLE: ATX POWER CONNECTOR 4.2mm PITCH, VERTICAL, DIP TYPE			PART NO.	SEE TABLE				
7	MM		UNITS	SCALE	SHEET	REV	CUSTOMER		
8	1:1		1:1	6 OF 6	6 OF 6	0			

NO. OF BOARDLOCK	POS.	PCS /BOX	TRAYS /BOX	PCS /TRAY	WEIGHT NET	WEIGHT GROSS	0		1		2									
							4	6	4	6	4	6	8	10	12	14	16	18	20	24
4		4800	10	480	5.28	6.88	4	6	4	6	4	6	8	10	12	14	16	18	20	24
6		3400	10	340	5.07	6.67	6	8	6	8	6	8	8	10	12	14	16	18	20	24
8		2600	10	260	4.91	6.51	8	10	8	10	8	10	10	12	14	16	18	20	24	24
10		2000	10	200	4.56	6.16	10	12	10	12	10	12	12	14	16	18	20	24	24	24
12		1800	10	180	4.82	6.42	12	14	12	14	12	14	14	16	18	20	24	24	24	24
14		1400	10	140	4.51	5.91	14	16	14	16	14	16	16	18	20	24	24	24	24	24
16		1200	10	120	4.64	6.24	16	18	16	18	16	18	18	20	24	24	24	24	24	24
18		1000	10	100	4.27	5.87	18	20	18	20	18	20	20	24	24	24	24	24	24	24
20		800	10	80	4.50	5.90	20	24	20	24	20	24	24	24	24	24	24	24	24	24
24		4200	10	420	4.75	6.35	24	24	24	24	24	24	24	24	24	24	24	24	24	24
4		3000	10	300	4.56	6.16	4	6	4	6	4	6	6	8	10	12	14	16	18	20
6		2400	10	240	4.61	6.21	6	8	6	8	6	8	8	10	12	14	16	18	20	24
8		2000	10	200	4.62	6.22	8	10	8	10	8	10	10	12	14	16	18	20	24	24
10		1600	10	160	4.34	5.94	10	12	10	12	10	12	12	14	16	18	20	24	24	24
12		1400	10	140	4.55	5.95	12	14	12	14	12	14	14	16	18	20	24	24	24	24
14		1200	10	120	4.68	6.28	14	16	14	16	14	16	16	18	20	24	24	24	24	24
16		1000	10	100	4.30	5.90	16	18	16	18	16	18	18	20	24	24	24	24	24	24
18		800	10	80	4.52	5.92	18	20	18	20	18	20	20	24	24	24	24	24	24	24
20		3600	10	360	4.18	5.78	20	24	20	24	20	24	24	24	24	24	24	24	24	24
24		2800	10	280	4.34	5.94	24	24	24	24	24	24	24	24	24	24	24	24	24	24
6		2200	10	220	4.29	5.89	6	8	6	8	6	8	8	10	12	14	16	18	20	24
8		1800	10	180	4.21	5.81	8	10	8	10	8	10	10	12	14	16	18	20	24	24
10		1600	10	160	4.38	5.98	10	12	10	12	10	12	12	14	16	18	20	24	24	24
12		1400	10	140	4.40	6.00	12	14	12	14	12	14	14	16	18	20	24	24	24	24
14		1200	10	120	4.25	5.85	14	16	14	16	14	16	16	18	20	24	24	24	24	24
16		1000	10	100	3.93	5.53	16	18	16	18	16	18	18	20	24	24	24	24	24	24
18		1000	10	100	4.53	5.93	18	20	18	20	18	20	20	24	24	24	24	24	24	24
20		800	10	80	4.54	5.94	20	24	20	24	20	24	24	24	24	24	24	24	24	24

NOTES:
 1. TRAY : PVC, SIZE:350mm(L)X 265mm(W)X 22mm(H);
 2. BOX : CORRUGATED, SIZE: 350mm(L)X 279mm(W)X 195mm(H).
 3. QUANTITY: SEE TABLE.



X-ON Electronics

Largest Supplier of Electrical and Electronic Components

Click to view similar products for [Headers & Wire Housings](#) category:

Click to view products by [UMAX](#) manufacturer:

Other Similar products are found below :

[95000-104TRLF](#) [10135584-644402LF](#) [DF62W-EP2022PCA](#) [95000-106TRLF](#) [DF62W-2022SCA](#) [DF62W-EP2022PC](#) [2203348](#) [DF62W-2022SC](#) [1084018](#) [1029039](#) [1084017](#) [802-10-012-10-002000](#) [1112640](#) [1112639](#) [891-007-9SS-BST1T](#) [000-34000](#) [0008550134](#) [0009482033](#) [0009507031](#) [57102-F02-18ULF](#) [57102-S06-03LF](#) [57202-S52-04LF](#) [PCN6-15S-2.5E](#) [0039019024](#) [58102-G61-06LF](#) [582553-1](#) [0009485154](#) [0009508121](#) [0022285053](#) [0050291907](#) [018731A](#) [LY20-4P-DT1-P1E-BR](#) [02.125.8002.8](#) [60101931](#) [60598-1 \(Cut Strip\)](#) [M1625-3R/100](#) [61062-3](#) [61082-181009](#) [CSU011177004](#) [636-1427](#) [638009-1](#) [641938-9](#) [641991-4](#) [644168-1](#) [644827-2](#) [647662-1](#) [65039-019ELF](#) [65692-001LF](#) [65781-018](#) [65781-047](#)