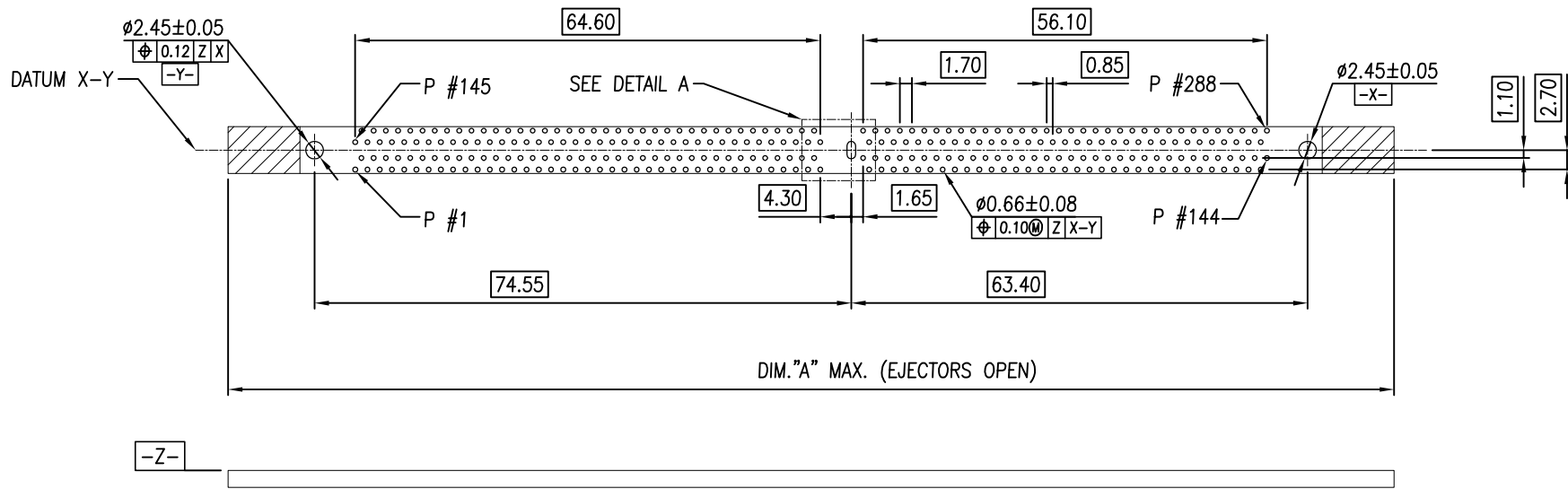
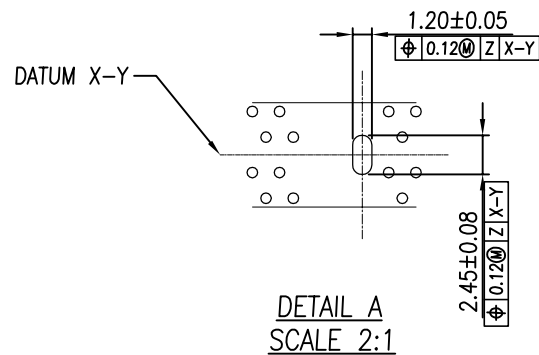


				TOLERANCE		<b>UMax conn</b> 东莞市友贸实业有限公司 DONGGUAN UMAXCONN ENTERPRISE LIMITED		TITLE: DDR 4, VERTICAL 288P MEMORY SOCKET DIP TYPE			
				LINEAR	ANGLES			PART NO. 90405-XXXX-X			
8	---	Lei Songping	Sep,19,2019	X.±0.40	X'±	APPD: Schumi	MAT'L:	DWG NO. C-90405-2			
7		Li xiaqin	Sep,18,2019	.XX±0.20	.XX'±	CHKD: Lei songping	FINISH:	UNITS	SCALE	SHEET	REV
6	---	Lei Songping	Jun,04,2019	.XX±0.30	.X'±	DRWN: Li xiaqin	Q'TY:	MM	1 : 1	1 OF 5	8
5	---	Li xiaqin	Apr,04,2019	.XX±0.20	.XX'±						
REV	ECN NO.	NAME	DATE	.XXX±0.10	.XXX'±						



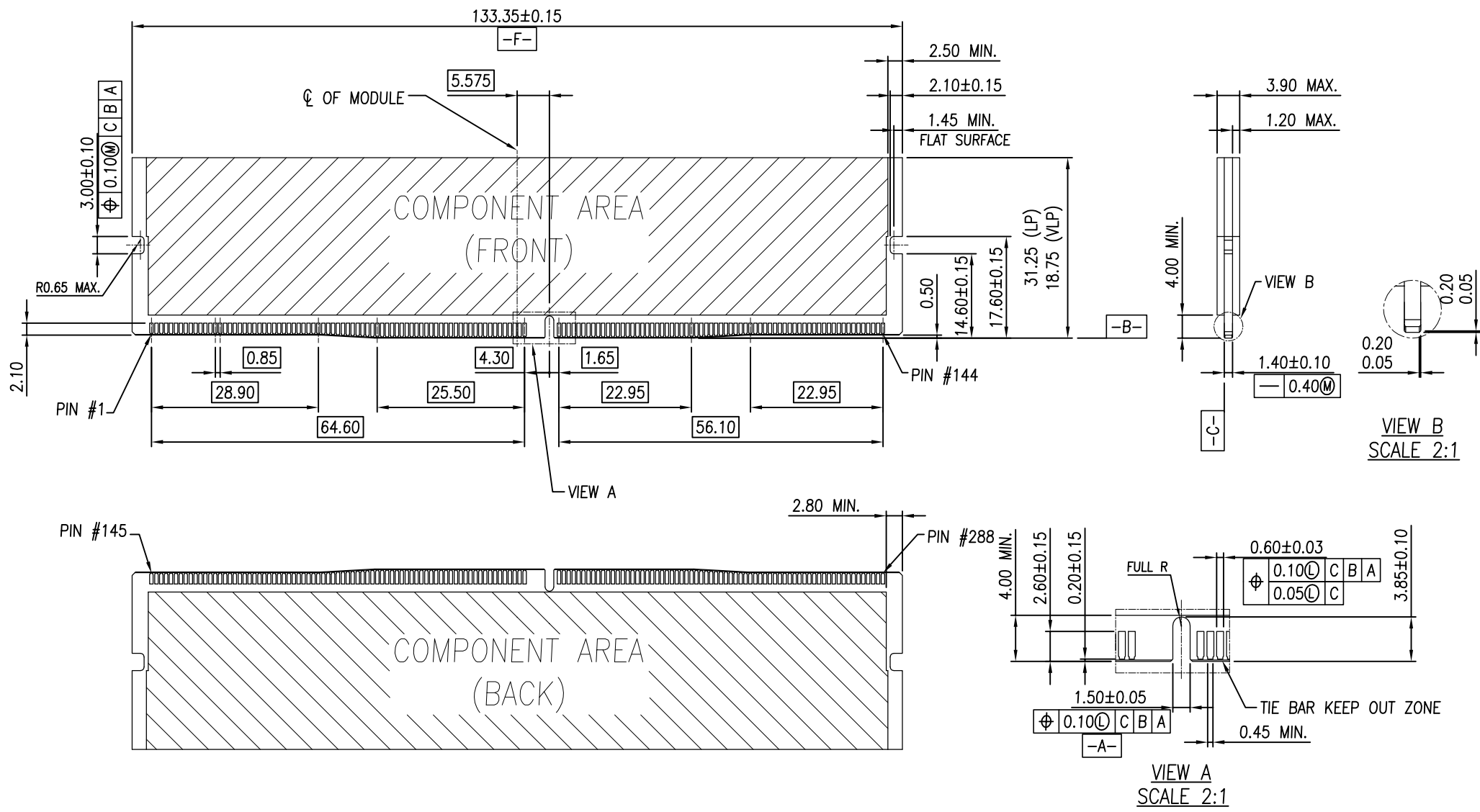


RECOMMENDED PCB LAYOUT (TOP VIEW)



DETAIL A  
SCALE 2:1

				TOLERANCE		<b>UMax conn</b> 东莞市友贸实业有限公司 DONGGUAN UMAXCONN ENTERPRISE LIMITED		TITLE: DDR 4, VERTICAL 288P MEMORY SOCKET DIP TYPE					
				LINEAR	ANGLES			PART NO. 90405-XXXXX-X					
SEE SHEET 1				X.±0.40	X'±	APPD: Schumi	MAT'L:	DWG NO. C-90405-2					
REV	ECN NO.	NAME	DATE	.XX±0.20	.XX'±	CHKD: Lei songping	FINISH:			UNITS	SCALE	SHEET	REV
				.XXX±0.10	.XXX'±	DRWN: Li xiaqin	Q'TY:			MM	1 : 1	3 OF 5	8



TOLERANCE	
LINEAR	ANGLES
$X. \pm 0.40$	$X' \pm$
$.X \pm 0.30$	$.X' \pm$
$.XX \pm 0.20$	$.XX' \pm$
$.XXX \pm 0.10$	$.XXX' \pm$

**UMax conn** 东莞市友贸实业有限公司  
DONGGUAN UMAXCONN ENTERPRISE LIMITED

APPD: Schumi MAT'L:  
CHKD: Lei songping FINISH:  
DRWN: Li xiaqin Q'TY:

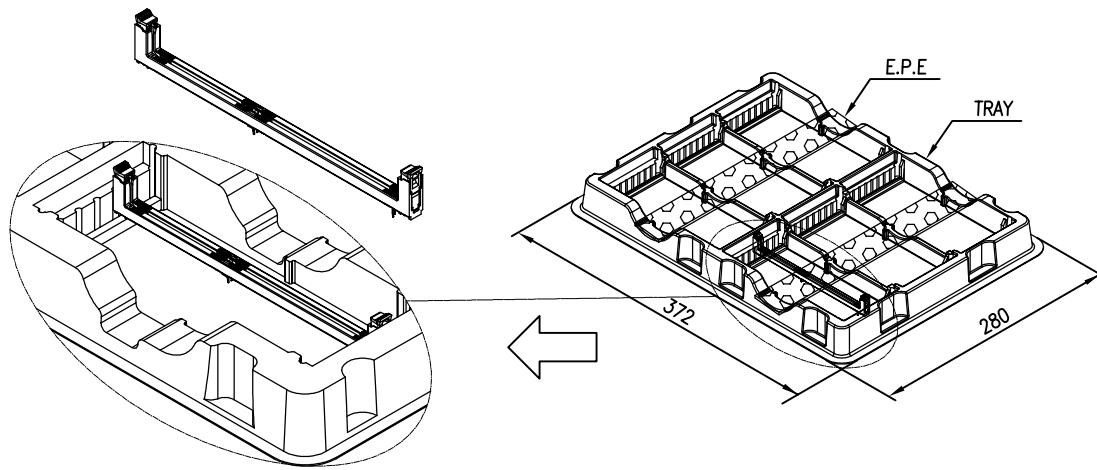
TITLE: DDR 4, VERTICAL  
288P MEMORY SOCKET DIP TYPE

PART NO. 90405-XXXXX-X  
DWG NO. C-90405-2

UNITS	SCALE	SHEET	REV
MM	1 : 1	4 OF 5	8

SEE SHEET 1

REV	ECN NO.	NAME	DATE



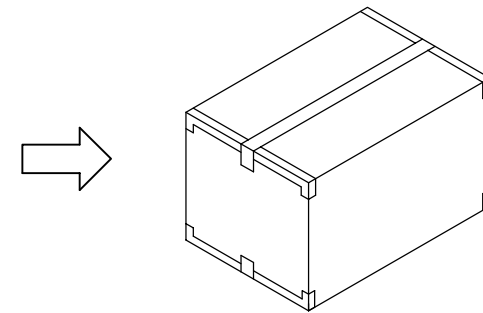
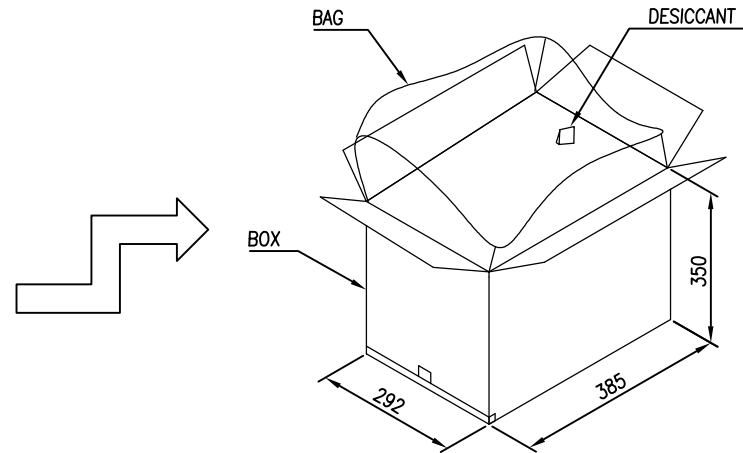
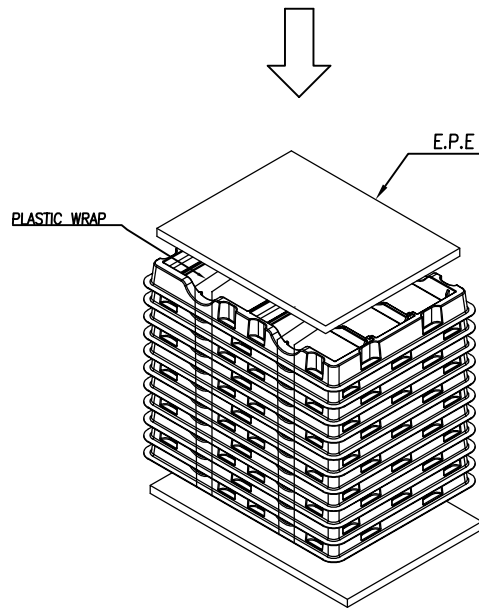
NOTES:

1. MATERIAL:

1.1 TRAY: PVC, COLOR: TRANSPARENT.

1.2 BOX: CORRUGATED FIBER.

1.3 TRANSPARENT BAG: PE, SIZE: 640mm\*510mm\*0.06mm.



7.2 KG	4.2 KG	54	11	540
GROSS WEIGHT	NET WEIGHT	PCS/TRAY	TRAY/BOX	PCS/BOX

TOLERANCE

LINEAR	ANGLES
X.±0.40	X°.±
.X±0.30	.X°.±
.XX±0.20	.XX°.±
.XXX±0.10	.XXX°.±

**UMax conn** 东莞市友贸实业有限公司  
DONGGUAN UMAXCONN ENTERPRISE LIMITED

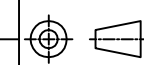
APPD: Schumi  
CHKD: Lei songping  
DRWN: Li xiaqin

MAT'L:  
FINISH:  
Q'TY:

TITLE: DDR 4, VERTICAL  
288P MEMORY SOCKET DIP TYPE

PART NO. 90405-XXXXX-X

DWG NO. C-90405-2



UNITS	SCALE	SHEET	REV
MM	1 : 1	5 OF 5	8

SEE SHEET 1			
REV	ECN NO.	NAME	DATE

## X-ON Electronics

Largest Supplier of Electrical and Electronic Components

*Click to view similar products for [Standard Card Edge Connectors](#) category:*

*Click to view products by [UMAX](#) manufacturer:*

Other Similar products are found below :

[CR7E-30DB-3.96E\(72\)](#) [6565204-6](#) [1437274-4](#) [EBT15622B2X](#) [1-582587-1](#) [284-0102-12100](#) [286-0052-12101A](#) [306022901000000](#) [307-012-502-202](#) [307-056-520-300](#) [A6D22DS29C2](#) [1926088-2](#) [287-0032-12101](#) [345-060-559-303](#) [392-008-559-201](#) [534671-1](#) [341-240-317](#) [345-044-500-300](#) [346-240-318](#) [387-012-523-300](#) [395-100-524-300](#) [09-07-2032](#) [10035388-802LF](#) [10115859-011LF](#) [10122859-009LF](#) [101269333204245CLF](#) [530555-1](#) [66925-516LF](#) [5145409-2](#) [73726-0005](#) [66308-1](#) [5036A30](#) [PEC-07-02-T-S-A](#) [346-014-520-801](#) [KSLX-62-BR](#) [307-048-502-202](#) [CE100F26-7-C](#) [CE100F28-3-D](#) [CE100F28-4-D](#) [CE156F18-9-C](#) [CE156F22-5-D](#) [CE156F22-9-C](#) [CT100F22-2-D](#) [CT100F22-3-D](#) [CT100F24-2-D](#) [CT100F24-3-D](#) [CT100F24-6-C](#) [CT156F22-4-D](#) [MLSS100-12-C](#) [MLSS100-16-C](#)