

REV	ECN NO.	NAME	DATE	TOLERANCE	
				LINEAR	ANGLES
8	---	Lei Songping	Sep,19,2019		
7		Li xiaqin	Sep,18,2019	X.±0.40	X'.±
6	---	Lei Songping	Jun,04,2019	.X±0.30	.X'±
5	---	Li xiaqin	Apr,04,2019	.XX±0.20	.XX'±
REV	ECN NO.	NAME	DATE	.XXX±0.10	.XXX'±

UMax conn 东莞市友贸实业有限公司
DONGGUAN UMAXCONN ENTERPRISE LIMITED

APPD: Schumi MAT'L:
CHKD: Lei songping FINISH:
DRWN: Li xiaqin Q'TY:

TITLE: DDR 4, VERTICAL
288P MEMORY SOCKET DIP TYPE

PART NO. 90405-XXXXX-X

DWG NO. C-90405-2

UNITS	SCALE	SHEET	REV
MM	1 : 1	1 OF 5	8

NOTES:

1. MATERIAL :

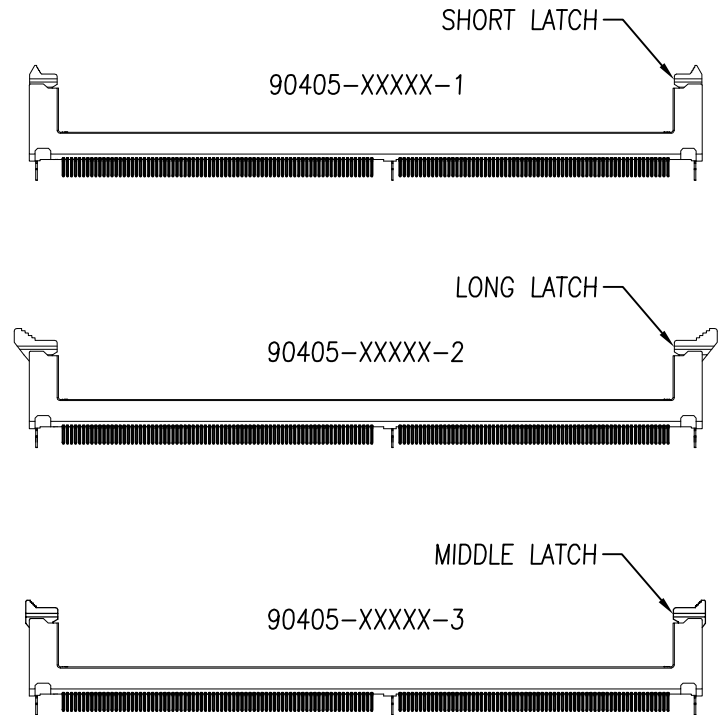
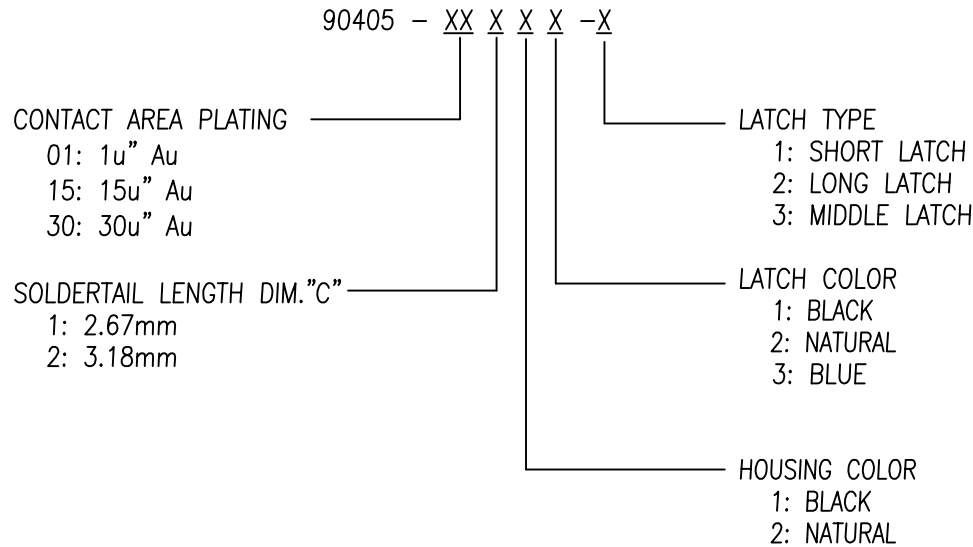
- 1.1 HOUSING: PA66, UL94 V-0, COLOR: SEE PART NO..
- 1.2 LATCH: PA66, UL94 V-0, COLOR: SEE PART NO..
- 1.3 CONTACTS: COPPER ALLOY.
- 1.4 BOARDLOCKS: SUS.

2. FINISH :

2.1 CONTACT

- [SEE PART NO.] GOLD PLATING ON THE CONTACT AREA.
- 2.54um [100u"] MIN. MATTE-TIN PLATING ON THE SOLDERING AREA.
- 1.27um [50u"] MIN. NICKEL UNDERPLATING OVERALL.

3. PART NO..



147.30	162.00	LONG
142.35	156.00	MIDDLE
140.80	152.00	SHORT
DIM."B"	DIM."A"	LATCH TYPE

TOLERANCE	
LINEAR	ANGLES
X.±0.40	X'.±
.X±0.30	.X'±
.XX±0.20	.XX'±
.XXX±0.10	.XXX'±

UMax conn 东莞市友贸实业有限公司
DONGGUAN UMAXCONN ENTERPRISE LIMITED

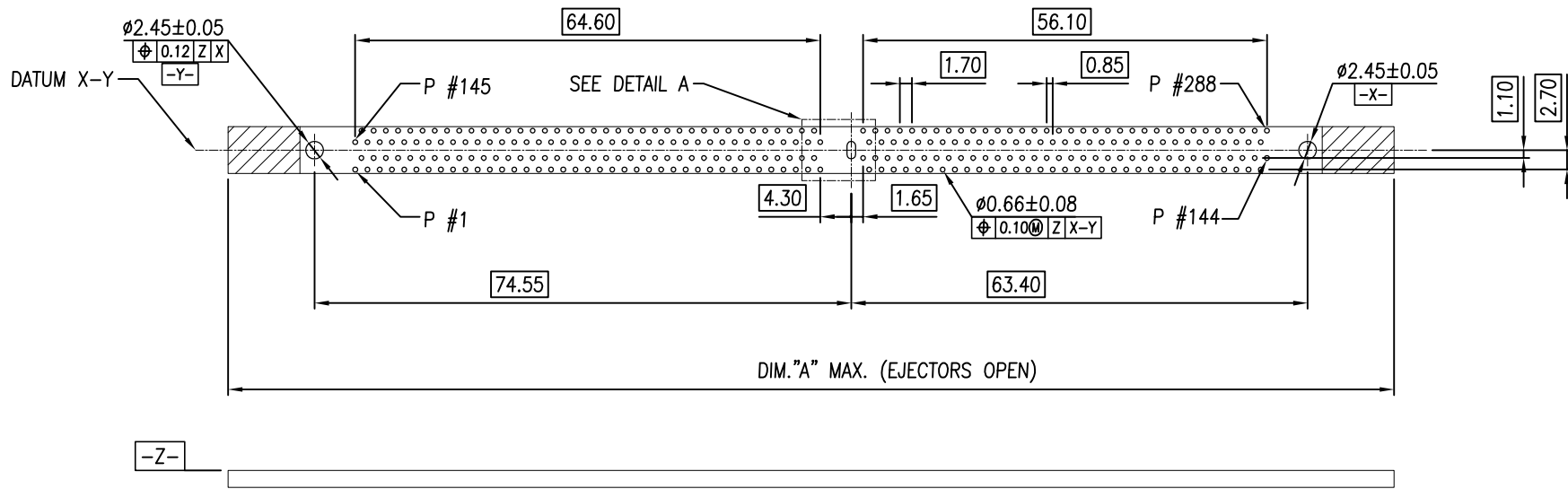
APPD: Schumi MAT'L:

CHKD: Lei songping FINISH:

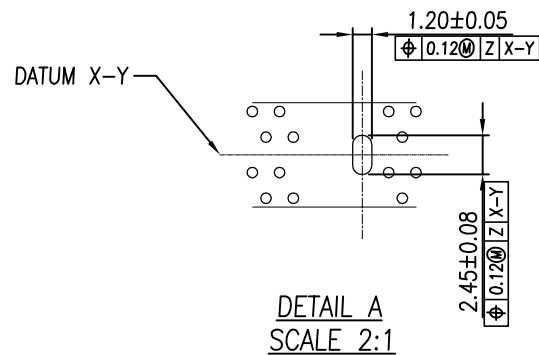
DRWN: Li xiaqin Q'TY:

TITLE: DDR 4, VERTICAL 288P MEMORY SOCKET DIP TYPE				
PART NO.		90405-XXXXX-X		
DWG NO.		C-90405-2		
	UNITS	SCALE	SHEET	REV
	MM	1 : 1	2 OF 5	8

SEE SHEET 1			
REV	ECN NO.	NAME	DATE



RECOMMENDED PCB LAYOUT (TOP VIEW)



TOLERANCE	
LINEAR	ANGLES
X.±0.40	X'±
.X±0.30	.X'±
.XX±0.20	.XX'±
.XXX±0.10	.XXX'±

UMax conn 东莞市友贸实业有限公司
DONGGUAN UMAXCONN ENTERPRISE LIMITED

APPD: Schumi MAT'L:
CHKD: Lei songping FINISH:
DRWN: Li xiaqin Q'TY:

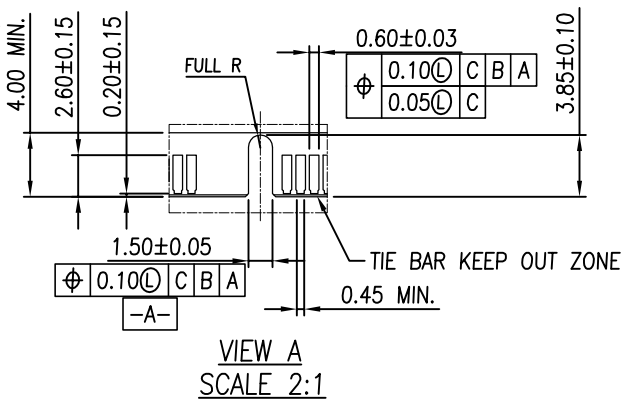
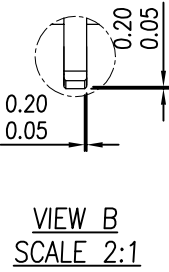
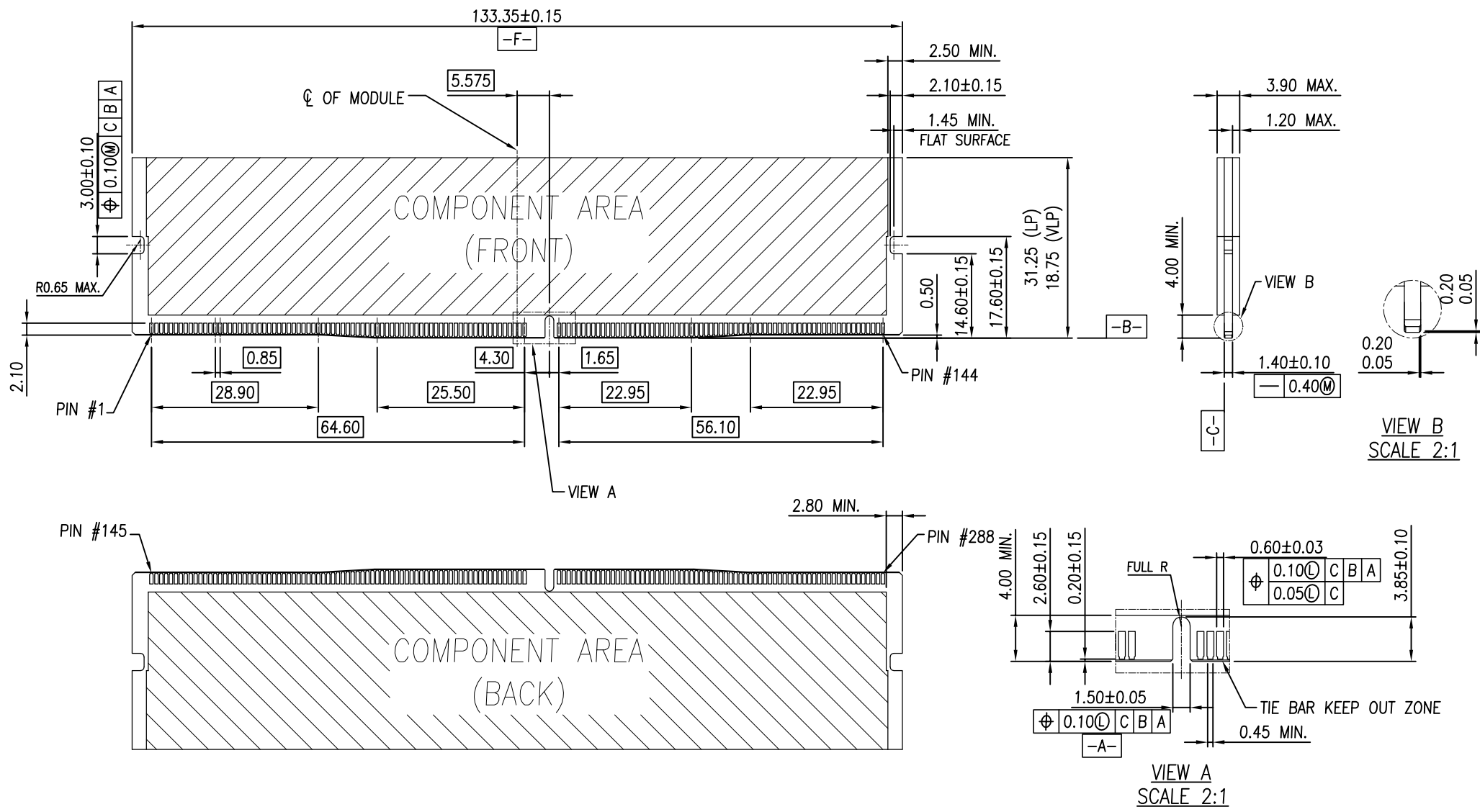
TITLE: DDR 4, VERTICAL
288P MEMORY SOCKET DIP TYPE

PART NO. 90405-XXXXX-X
DWG NO. C-90405-2

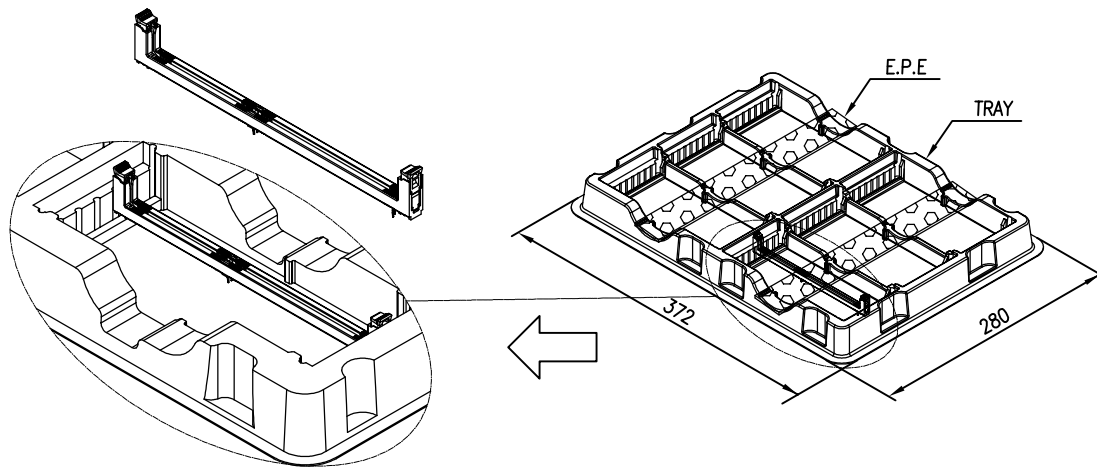
UNITS	SCALE	SHEET	REV
MM	1 : 1	3 OF 5	8

SEE SHEET 1

REV	ECN NO.	NAME	DATE
-----	---------	------	------



SEE SHEET 1				TOLERANCE		UMax conn 东莞市友贸实业有限公司 DONGGUAN UMAXCONN ENTERPRISE LIMITED	TITLE: DDR 4, VERTICAL 288P MEMORY SOCKET DIP TYPE			
REV	ECN NO.	NAME	DATE	LINEAR	ANGLES		PART NO.	90405-XXXXX-X		
				X.±0.40	X'±	APPD: Schumi	MAT'L:			
				.X±0.30	.X'±	CHKD: Lei songping	FINISH:			
				.XX±0.20	.XX'±	DRWN: Li xiaqin	Q'TY:			
				.XXX±0.10	.XXX'±		UNITS	SCALE	SHEET	REV
							MM	1 : 1	4 OF 5	8



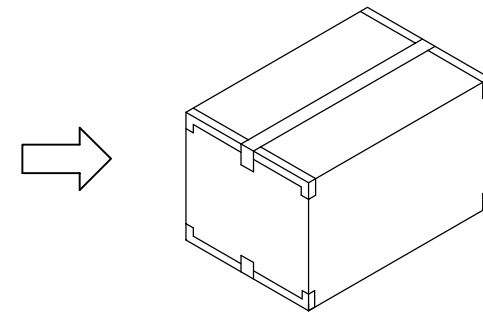
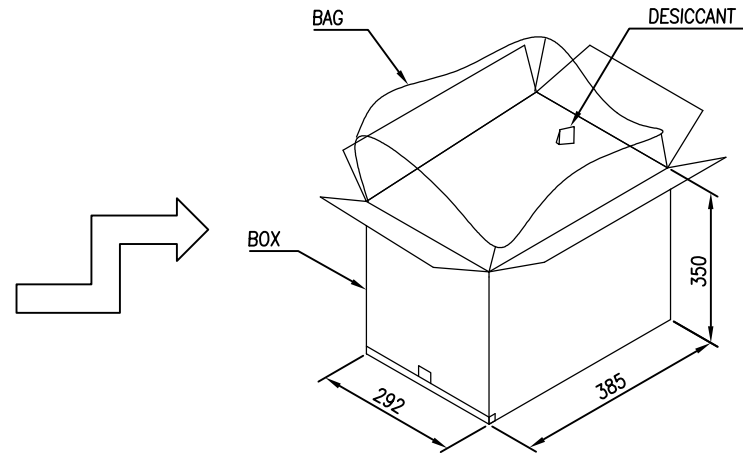
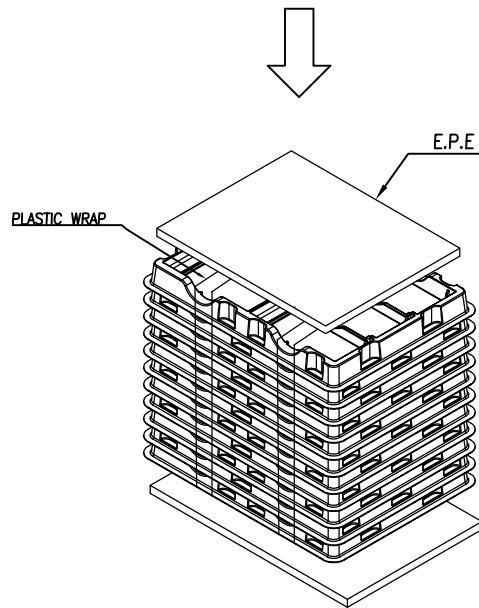
NOTES:

1. MATERIAL:

1.1 TRAY: PVC, COLOR: TRANSPARENT.

1.2 BOX: CORRUGATED FIBER.

1.3 TRANSPARENT BAG: PE, SIZE: 640mm*510mm*0.06mm.



7.2 KG	4.2 KG	54	11	540
GROSS WEIGHT	NET WEIGHT	PCS/TRAY	TRAY/BOX	PCS/BOX

TOLERANCE	
LINEAR	ANGLES
X.±0.40	X°.±
.X±0.30	.X°±
.XX±0.20	.XX°±
.XXX±0.10	.XXX°±

UMax conn 东莞市友贸实业有限公司
DONGGUAN UMAXCONN ENTERPRISE LIMITED

APPD: Schumi MAT'L:
CHKD: Lei songping FINISH:
DRWN: Li xiaqin Q'TY:

TITLE: DDR 4, VERTICAL
288P MEMORY SOCKET DIP TYPE

PART NO. 90405-XXXXX-X

DWG NO. C-90405-2

	UNITS	SCALE	SHEET	REV
	MM	1 : 1	5 OF 5	8

SEE SHEET 1			
REV	ECN NO.	NAME	DATE

X-ON Electronics

Largest Supplier of Electrical and Electronic Components

Click to view similar products for [Standard Card Edge Connectors](#) category:

Click to view products by [UMAX](#) manufacturer:

Other Similar products are found below :

[CR7E-30DB-3.96E\(72\)](#) [6565204-6](#) [1437274-4](#) [1-582587-1](#) [284-0102-12100](#) [286-0052-12101A](#) [306022901000000](#) [A6D22DS29C2](#) [1926088-2](#) [245-062-520-350](#) [287-0032-12101](#) [306-028-525-102](#) [307-072-526-202](#) [330-030-500-278](#) [345-060-559-303](#) [534671-1](#) [341-240-317](#) [345-044-500-300](#) [346-240-318](#) [C7D10DS29C1M133](#) [395-100-524-300](#) [09-07-2032](#) [10035388-802LF](#) [10115859-011LF](#) [10122859-009LF](#) [101269333204245CLF](#) [530555-1](#) [66925-516LF](#) [5145409-2](#) [73726-0005](#) [66308-1](#) [EBC05DRXN](#) [KSLX-62-BR](#) [CE100F26-7-C](#) [CE100F28-3-D](#) [CE100F28-4-D](#) [CE156F22-9-C](#) [CT100F24-3-D](#) [CT100F24-6-C](#) [MLSS100-12-C](#) [SCC100F-11-C](#) [SCC100F-20-C](#) [SCC100F-24-C](#) [SCC100F-25-C](#) [3-530656](#) [2512250177](#) [285-0112-12300](#) [346-068-556-300](#) [284-0492-11000](#) [287-0032-12301](#)