

REV	ECN NO.	NAME	DATE	TOLERANCE	
				LINEAR	ANGLES
2	---	Li xiaqin	July,30,2019	X.±0.40	X'.±
1	---	Li xiaqin	July,26,2019	.X±0.30	.X'±
0	---	Li xiaqin	July,16,2019	.XX±0.20	.XX'±
REV	ECN NO.	NAME	DATE	.XXX±0.10	.XXX'±

UMax 东莞市友贸实业有限公司
DONGGUAN UMAX ENTERPRISE LIMITED

APPD: Schumi MAT'L:
CHKD: Lei songping FINISH:
DRWN: Li xiaqin Q'TY:

TITLE: DDR 4, VERTICAL
288P MEMORY SOCKET SMT TYPE

PART NO. 90411-XXXXXX

DWG NO. C-90411

UNITS	SCALE	SHEET	REV
MM	1 : 1	1 OF 5	2

NOTES:

1. MATERIAL :

- 1.1 HOUSING: PA9T, HF, UL94 V-0, COLOR: SEE PART NO..
- 1.2 LATCH: PA9T, HF, UL94 V-0, COLOR: SEE PART NO..
- 1.3 CONTACTS: COPPER ALLOY.
- 1.4 BOARDLOCKS AND TAB: SUS.

2. FINISH :

2.1 CONTACT

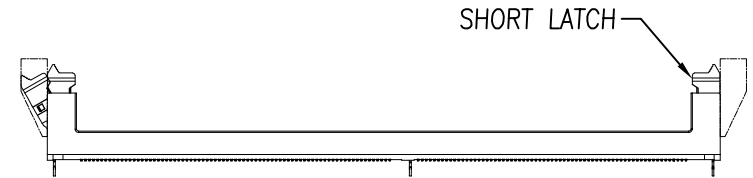
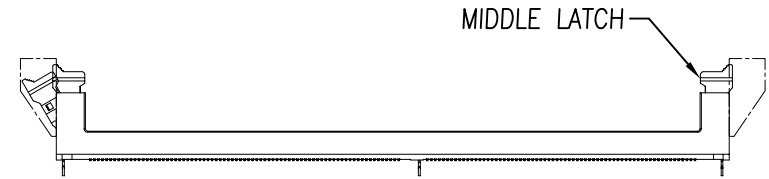
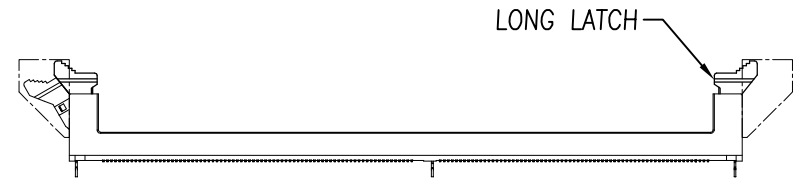
- [SEE PART NO.] GOLD PLATING ON THE CONTACT AREA.
- 2.54um [100u"] MIN. MATTE-TIN PLATING ON THE SOLDERING AREA.
- 1.27um [50u"] MIN. NICKEL UNDERPLATING OVERALL.

PART NO..

90411- XX X X X X

CONTACT AREA PLATING
 15: 15u" Au
 30: 30u" Au

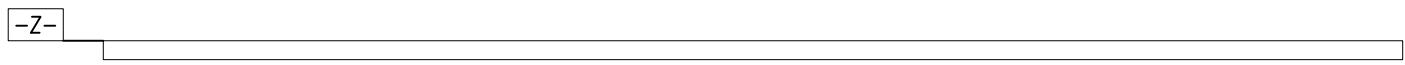
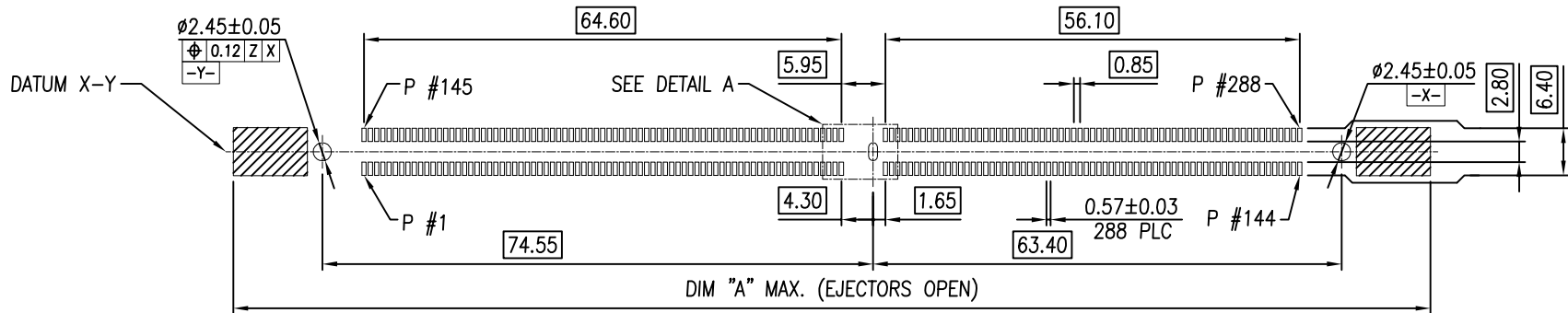
BOARDLOCK TYPE
 BLANK:BOARDLOCK
 1:TAB
 LATCH TYPE
 1: SHORT LATCH
 2: LONG LATCH
 3: MIDDLE LATCH
 LATCH COLOR
 1: BLACK
 2: NATURAL
 HOUSING COLOR
 1: BLACK
 2: NATURAL



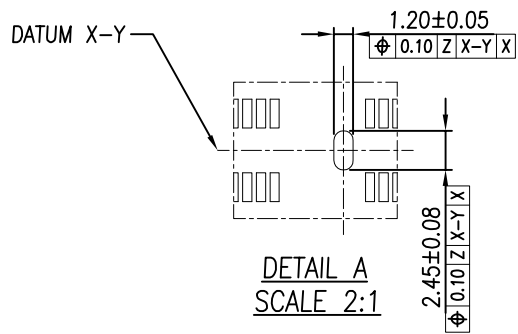
147.30	162.00	LONG
142.35	156.00	MIDDLE
140.80	152.00	SHORT
DIM "B"	DIM "A"	LATCH TYPE

TOLERANCE		UMax 东莞市友贸实业有限公司 DONGGUAN UMAX ENTERPRISE LIMITED	TITLE: DDR 4, VERTICAL 288P MEMORY SOCKET SMT TYPE	
LINEAR	ANGLES		PART NO.	90411-XXXXXX
X.±	X'.±	APPD: Schumi	MAT'L:	DWG NO. C-90411
.X±0.30	.X'±	CHKD: Lei songping	FINISH:	UNITS: MM SCALE: 1 : 1 SHEET: 2 OF 5 REV: 2
.XX±0.20	.XX'±	DRWN: Li xiaqin	Q'TY:	

SEE SHEET 1			
REV	ECN NO.	NAME	DATE

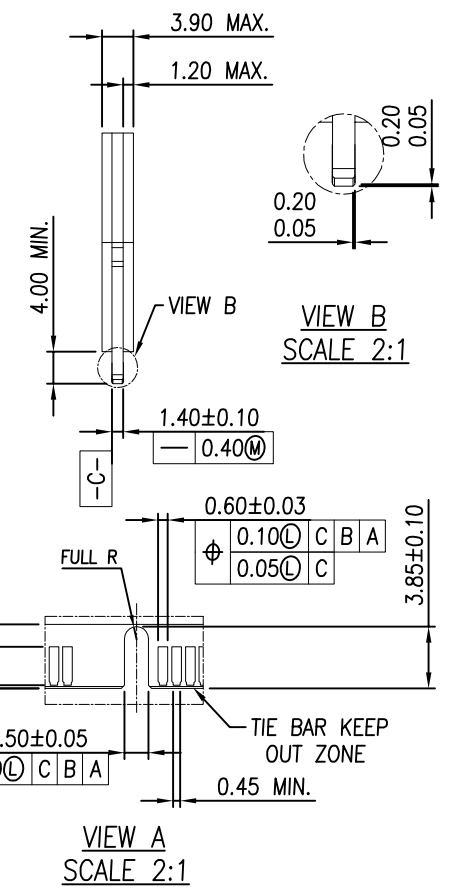
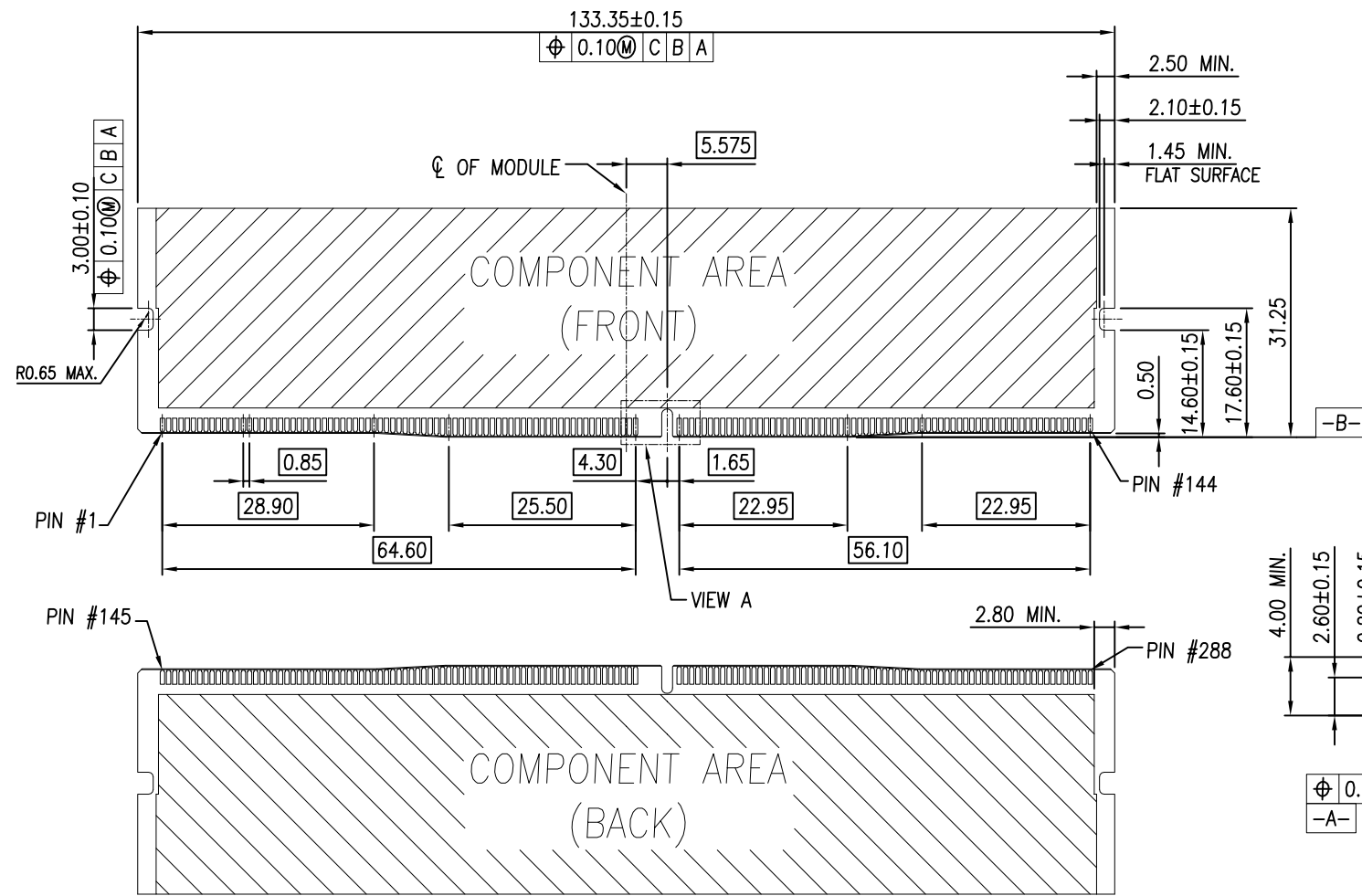


RECOMMENDED PCB LAYOUT (TOP VIEW)



DETAIL A
SCALE 2:1

				TOLERANCE		UMax 东莞市友贸实业有限公司 conn DONGGUAN UMAX ENTERPRISE LIMITED		TITLE: DDR 4, VERTICAL 288P MEMORY SOCKET SMT TYPE			
				LINEAR	ANGLES			PART NO. 90411-XXXXXX			
				X.±	X'.±	APPD: Schumi	MAT'L:	DWG NO. C-90411			
				.X±0.30	.X'±	CHKD: Lei songping	FINISH:	UNITS SCALE SHEET REV			
REV	SEE SHEET 1	NAME	DATE	.XXX±	.XXX'±	DRWN: Li xiaqin	Q'TY:	MM	1 : 1	3 OF 5	2



REV	SEE SHEET 1	NAME	DATE
	ECN NO.		

TOLERANCE	
LINEAR	ANGLES
X.±	X'.±
.X±0.30	.X'±
.XX±0.20	.XX'±
.XXX±	.XXX'±

UMax conn 东莞市友贸实业有限公司
DONGGUAN UMAX ENTERPRISE LIMITED

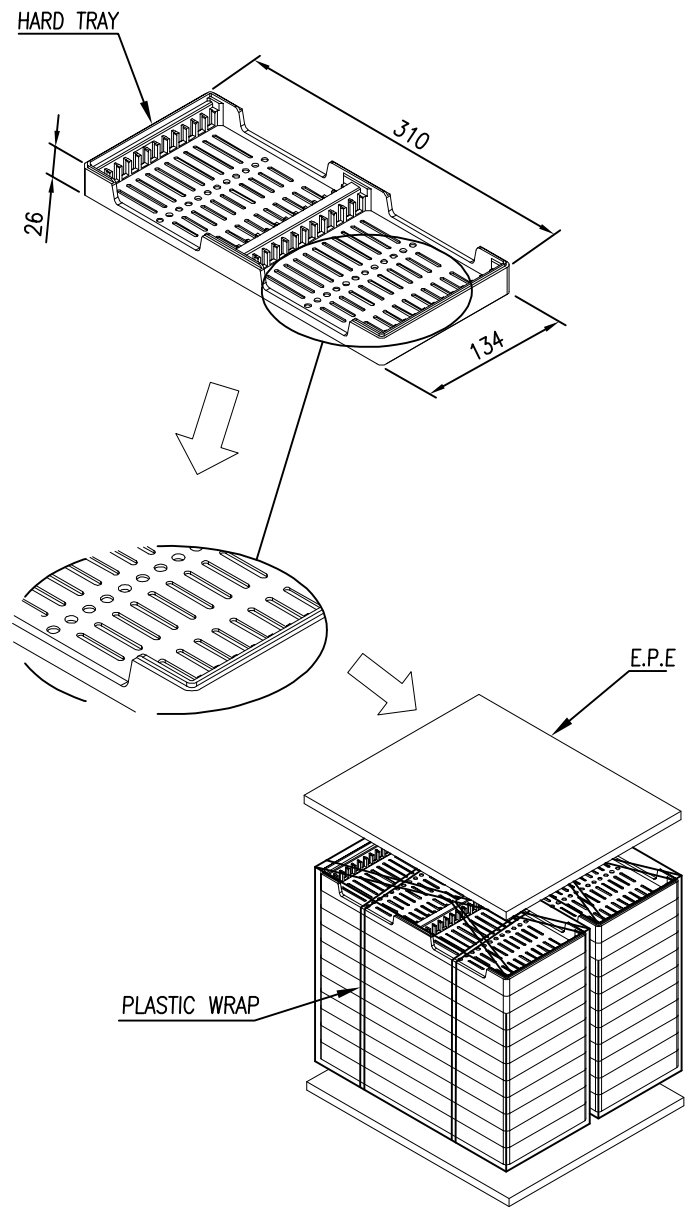
APPD: Schumi MAT'L:
CHKD: Lei songping FINISH:
DRWN: Li xiaqin Q'TY:

TITLE: DDR 4, VERTICAL
288P MEMORY SOCKET SMT TYPE

PART NO. 90411-XXXXXX

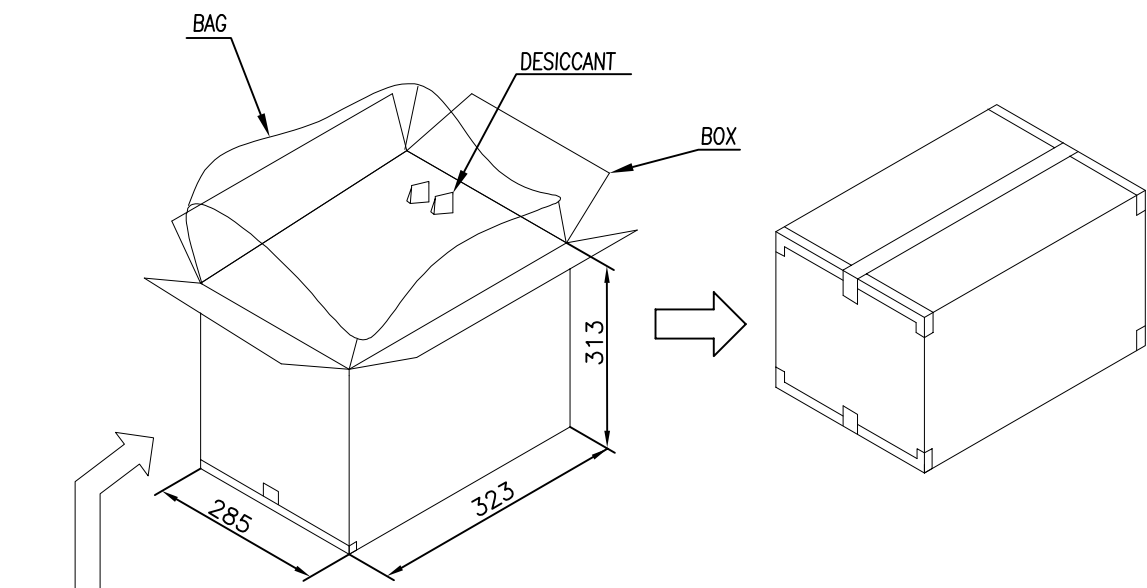
DWG NO. C-90411

UNITS	SCALE	SHEET	REV
MM	1 : 1	4 OF 5	2



NOTES :

- 1. MATERIAL :
 - TRAY: HIPS, COLOR: BLACK.
 - BOX: CORRUGATED FIBER
 - TRANSPARENT BAG: PE, SIZE: 660mm*600mm*0.08mm



PCS/ TRAY	TRAY/ BOX	PCS/ BOX	NET WEIGHT	GROSS WEIGHT
24	20	480	2.55 KG	5.75 KG

REV	SEE SHEET 1	NAME	DATE
	ECN NO.		

TOLERANCE	
LINEAR	ANGLES
X.±	X'±
.X±0.30	.X'±
.XX±0.20	.XX'±
.XXX±	.XXX'±

UMax 东莞市友贸实业有限公司
DONGGUAN UMAX ENTERPRISE LIMITED

APPD: Schumi MAT'L:

CHKD: Lei songping FINISH:

DRWN: Li xiaqin Q'TY:

TITLE: DDR 4, VERTICAL
288P MEMORY SOCKET SMT TYPE

PART NO. 90411-XXXXXX

DWG NO. C-90411

		UNITS	SCALE	SHEET	REV
		MM	1 : 1	5 OF 5	2

X-ON Electronics

Largest Supplier of Electrical and Electronic Components

Click to view similar products for [Standard Card Edge Connectors](#) category:

Click to view products by [UMAX](#) manufacturer:

Other Similar products are found below :

[CR7E-30DB-3.96E\(72\)](#) [6565204-6](#) [1437274-4](#) [1-582587-1](#) [284-0102-12100](#) [286-0052-12101A](#) [306022901000000](#) [A6D22DS29C2](#) [1926088-2](#) [245-062-520-350](#) [287-0032-12101](#) [306-028-525-102](#) [307-072-526-202](#) [330-030-500-278](#) [345-060-559-303](#) [534671-1](#) [341-240-317](#) [345-044-500-300](#) [346-240-318](#) [C7D10DS29C1M133](#) [395-100-524-300](#) [09-07-2032](#) [10035388-802LF](#) [10115859-011LF](#) [10122859-009LF](#) [101269333204245CLF](#) [530555-1](#) [66925-516LF](#) [5145409-2](#) [73726-0005](#) [66308-1](#) [EBC05DRXN](#) [KSLX-62-BR](#) [CE100F26-7-C](#) [CE100F28-3-D](#) [CE100F28-4-D](#) [CE156F22-9-C](#) [CT100F24-3-D](#) [CT100F24-6-C](#) [MLSS100-12-C](#) [SCC100F-11-C](#) [SCC100F-20-C](#) [SCC100F-24-C](#) [SCC100F-25-C](#) [3-530656](#) [2512250177](#) [285-0112-12300](#) [346-068-556-300](#) [284-0492-11000](#) [287-0032-12301](#)