

REV	ECN NO.	NAME	DATE	TOLERANCE	
				LINEAR	ANGLES
2	---	Li xiaqin	July,30,2019	X.±0.40	X'.±
1	---	Li xiaqin	July,26,2019	.X±0.30	.X'±
0	---	Li xiaqin	July,16,2019	.XX±0.20	.XX'±
REV	ECN NO.	NAME	DATE	.XXX±0.10	.XXX'±

**UMax** 东莞市友贸实业有限公司  
DONGGUAN UMAX ENTERPRISE LIMITED

APPD: Schumi    MAT'L:  
CHKD: Lei songping    FINISH:  
DRWN: Li xiaqin    Q'TY:

TITLE: DDR 4, VERTICAL  
288P MEMORY SOCKET SMT TYPE

PART NO. 90411-XXXXXX

DWG NO. C-90411

UNITS	SCALE	SHEET	REV
MM	1 : 1	1 OF 5	2

NOTES:

1. MATERIAL :

- 1.1 HOUSING: PA9T, HF, UL94 V-0, COLOR: SEE PART NO..
- 1.2 LATCH: PA9T, HF, UL94 V-0, COLOR: SEE PART NO..
- 1.3 CONTACTS: COPPER ALLOY.
- 1.4 BOARDLOCKS AND TAB: SUS.

2. FINISH :

2.1 CONTACT

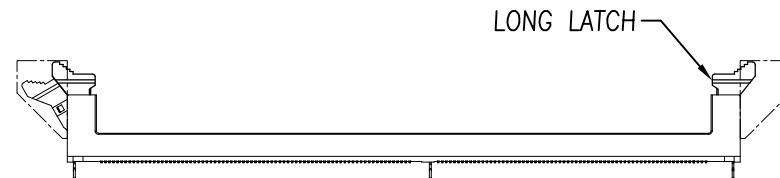
- [SEE PART NO.] GOLD PLATING ON THE CONTACT AREA.
- 2.54um [100u"] MIN. MATTE-TIN PLATING ON THE SOLDERING AREA.
- 1.27um [50u"] MIN. NICKEL UNDERPLATING OVERALL.

PART NO..

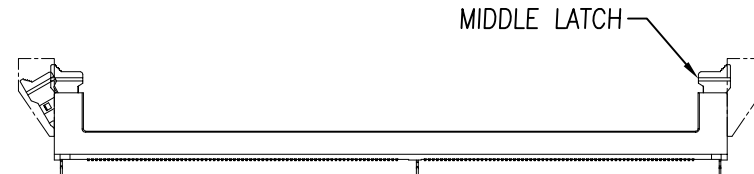
90411- XX X X X X

CONTACT AREA PLATING  
 15: 15u" Au  
 30: 30u" Au

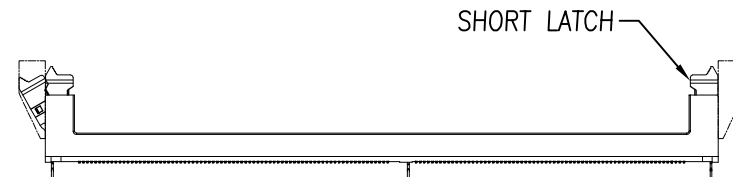
BOARDLOCK TYPE  
 BLANK:BOARDLOCK  
 1:TAB  
 LATCH TYPE  
 1: SHORT LATCH  
 2: LONG LATCH  
 3: MIDDLE LATCH  
 LATCH COLOR  
 1: BLACK  
 2: NATURAL  
 HOUSING COLOR  
 1: BLACK  
 2: NATURAL



LONG LATCH



MIDDLE LATCH



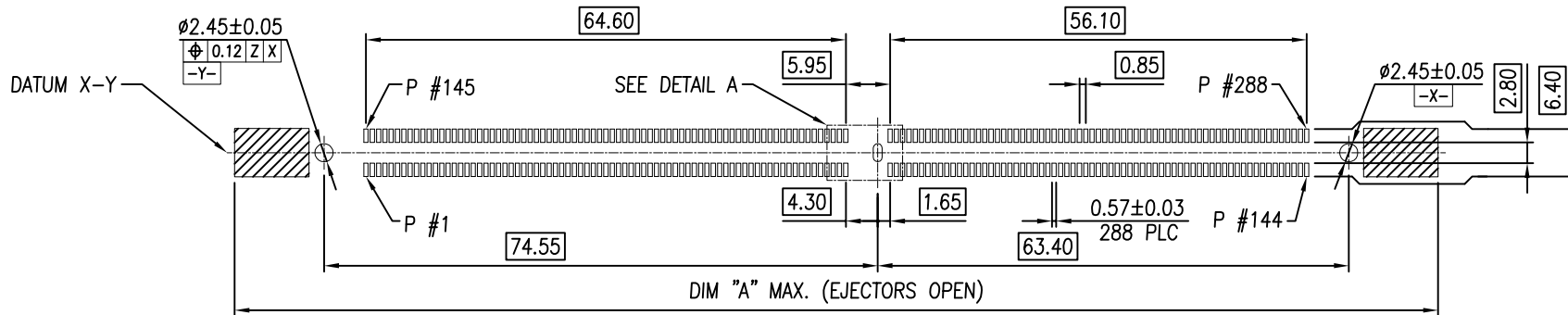
SHORT LATCH

147.30	162.00	LONG
142.35	156.00	MIDDLE
140.80	152.00	SHORT
DIM "B"	DIM "A"	LATCH TYPE

TOLERANCE		UMax 东莞市友贸实业有限公司 DONGGUAN UMAX ENTERPRISE LIMITED	
LINEAR	ANGLES	APPD:	MAT'L:
X.±	X'.±	Schumi	
.X±0.30	.X'±	CHKD: Lei songping	FINISH:
.XX±0.20	.XX'±	DRWN: Li xiaqin	Q'TY:
.XXX±	.XXX'±		

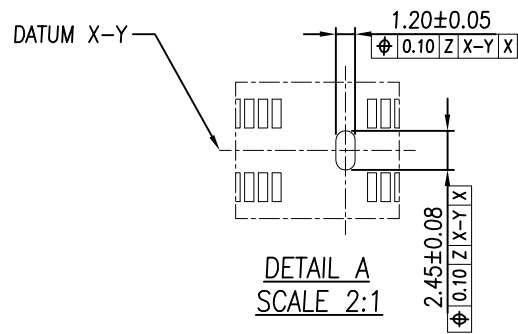
TITLE: DDR 4, VERTICAL 288P MEMORY SOCKET SMT TYPE			
PART NO. 90411-XXXXXX		DWG NO. C-90411	
UNITS MM	SCALE 1 : 1	SHEET 2 OF 5	REV 2

SEE SHEET 1			
REV	ECN NO.	NAME	DATE



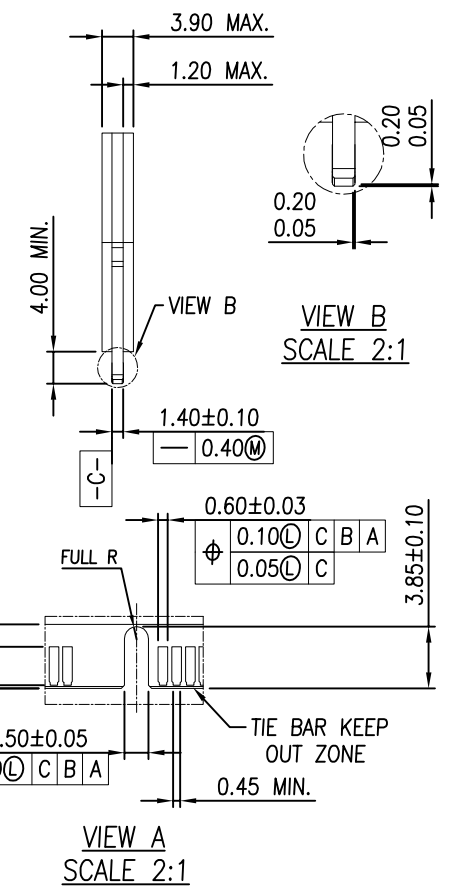
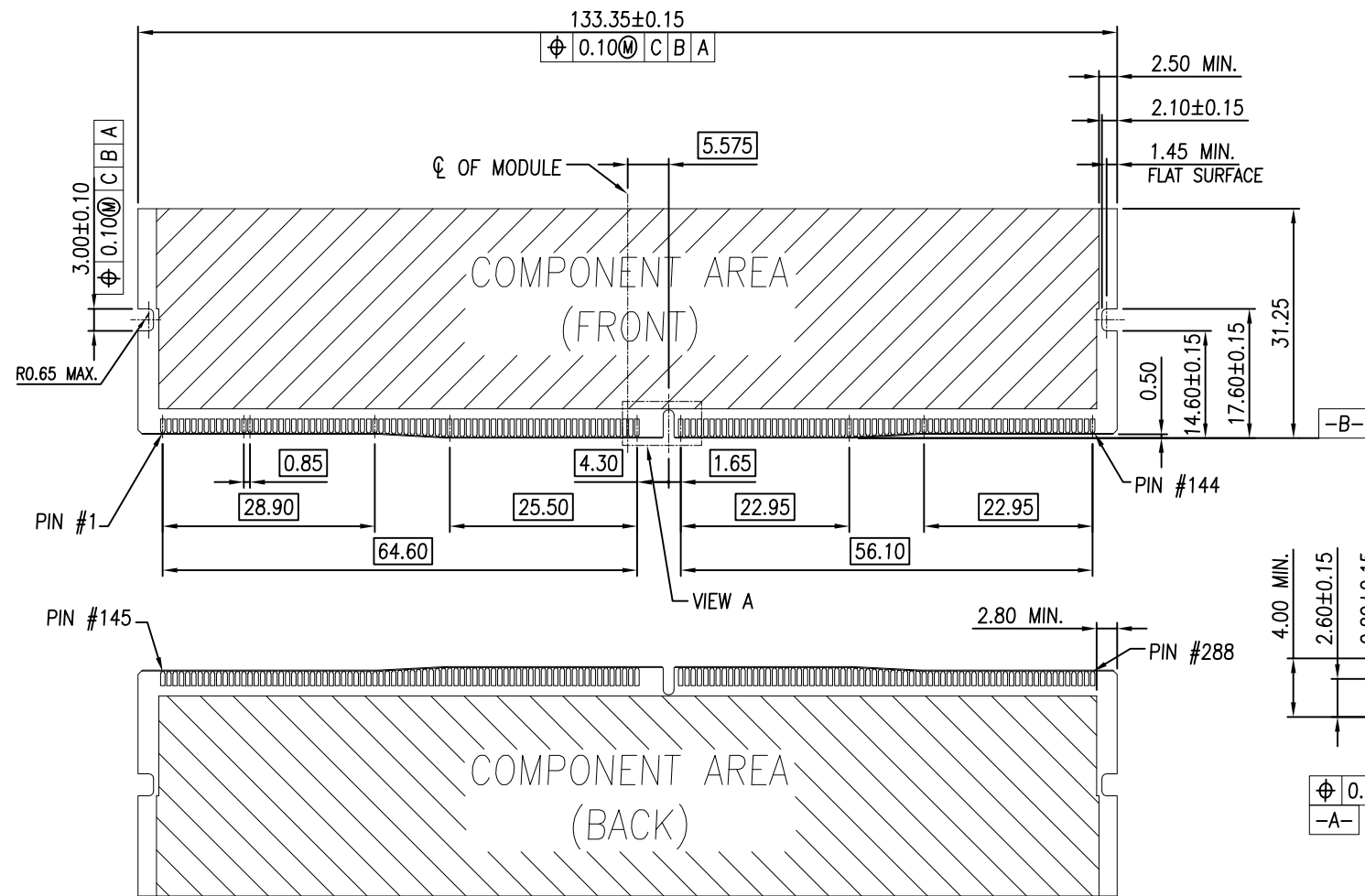
-Z-

RECOMMENDED PCB LAYOUT (TOP VIEW)



DETAIL A  
SCALE 2:1

				TOLERANCE		<b>UMax</b> 东莞市友贸实业有限公司 <b>conn</b> DONGGUAN UMAX ENTERPRISE LIMITED		TITLE: DDR 4, VERTICAL 288P MEMORY SOCKET SMT TYPE					
				LINEAR	ANGLES			PART NO. 90411-XXXXXX					
	SEE SHEET 1			X.±	X'.±	APPD: Schumi	MAT'L:	DWG NO. C-90411					
				.X±0.30	.X'±	CHKD: Lei songping	FINISH:			UNITS	SCALE	SHEET	REV
REV	ECN NO.	NAME	DATE	.XXX±	.XXX'±	DRWN: Li xiaqin	Q'TY:			MM	1 : 1	3 OF 5	2



REV	SEE SHEET 1	NAME	DATE
	ECN NO.		

TOLERANCE	
LINEAR	ANGLES
X.±	X'.±
.X±0.30	.X'±
.XX±0.20	.XX'±
.XXX±	.XXX'±

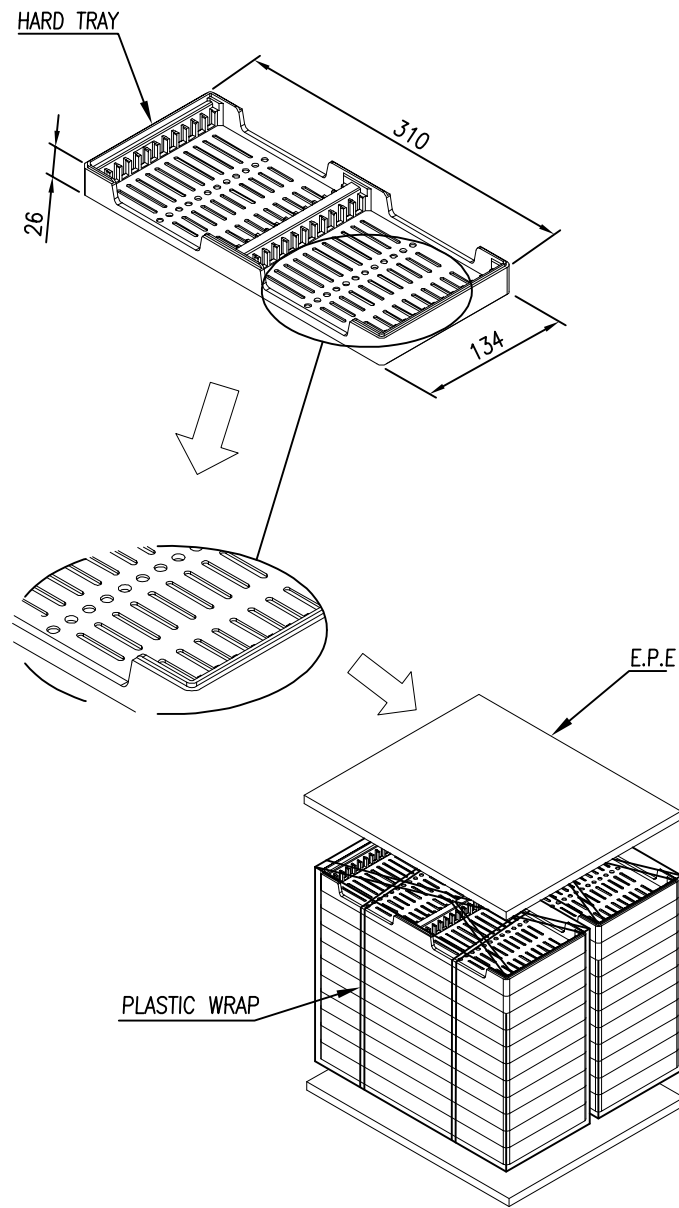
**UMax conn** 东莞市友贸实业有限公司  
DONGGUAN UMAX ENTERPRISE LIMITED

APPD: Schumi    MAT'L:  
CHKD: Lei songping    FINISH:  
DRWN: Li xiaqin    Q'TY:

TITLE: DDR 4, VERTICAL  
288P MEMORY SOCKET SMT TYPE

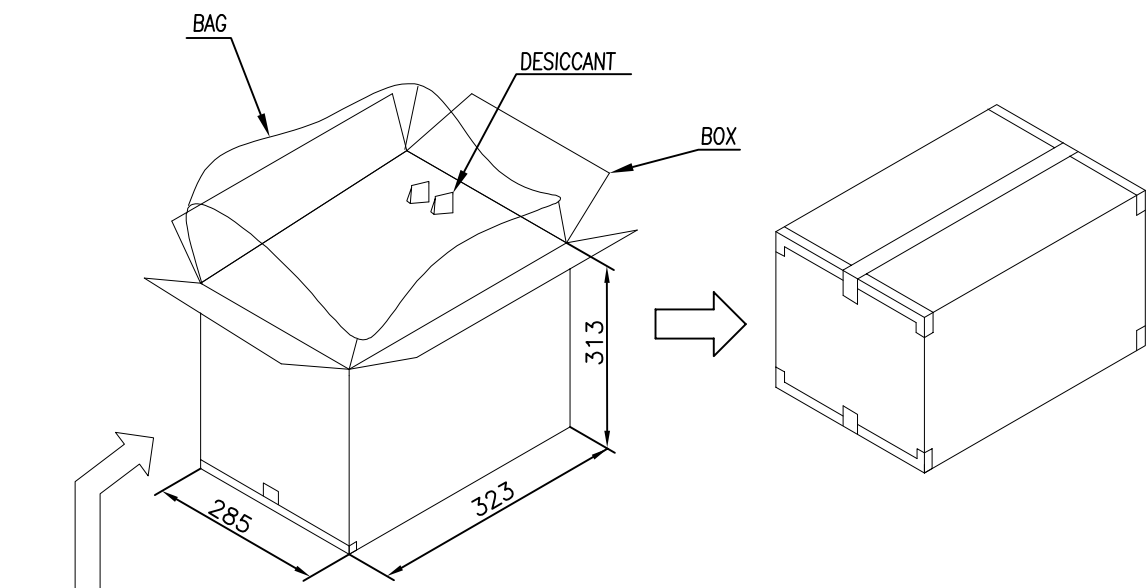
PART NO. 90411-XXXXXX  
DWG NO. C-90411

UNITS	SCALE	SHEET	REV
MM	1 : 1	4 OF 5	2



NOTES :

- 1. MATERIAL :
  - TRAY: HIPS, COLOR: BLACK.
  - BOX: CORRUGATED FIBER
  - TRANSPARENT BAG: PE, SIZE: 660mm\*600mm\*0.08mm



PCS/ TRAY	TRAY/ BOX	PCS/ BOX	NET WEIGHT	GROSS WEIGHT
24	20	480	2.55 KG	5.75 KG

TOLERANCE		<b>UMax</b> 东莞市友贸实业有限公司 <b>conn</b> DONGGUAN UMAX ENTERPRISE LIMITED	
LINEAR	ANGLES		
X.±	X'±	APPD: Schumi	MAT'L:
.X±0.30	.X'±	CHKD: Lei songping	FINISH:
.XX±0.20	.XX'±	DRWN: Li xiaqin	Q'TY:
.XXX±	.XXX'±		

TITLE: DDR 4, VERTICAL 288P MEMORY SOCKET SMT TYPE			
PART NO.		90411-XXXXXX	
DWG NO.		C-90411	
	UNITS	SCALE	SHEET
	MM	1 : 1	5 OF 5
			REV
			2

SEE SHEET 1			
REV	ECN NO.	NAME	DATE

## X-ON Electronics

Largest Supplier of Electrical and Electronic Components

*Click to view similar products for [Standard Card Edge Connectors](#) category:*

*Click to view products by [UMAX](#) manufacturer:*

Other Similar products are found below :

[CR7E-30DB-3.96E\(72\)](#) [6565204-6](#) [1437274-4](#) [EBT15622B2X](#) [EBT156-22R2W](#) [1-582587-1](#) [284-0102-12100](#) [286-0052-12101A](#)  
[306022901000000](#) [307-056-520-300](#) [A6D22DS29C2](#) [1926088-2](#) [245-062-520-350](#) [287-0032-12101](#) [306-028-525-102](#) [307-072-526-202](#) [345-](#)  
[060-559-303](#) [534671-1](#) [341-240-317](#) [345-044-500-300](#) [346-240-318](#) [395-100-524-300](#) [09-07-2032](#) [10035388-802LF](#) [10115859-011LF](#)  
[10122859-009LF](#) [101269333204245CLF](#) [530555-1](#) [66925-516LF](#) [5145409-2](#) [73726-0005](#) [66308-1](#) [5036A30](#) [PEC-07-02-T-S-A](#) [KSLX-62-](#)  
[BR](#) [CE100F26-7-C](#) [CE100F28-3-D](#) [CE100F28-4-D](#) [CE156F22-9-C](#) [CT100F24-3-D](#) [CT100F24-6-C](#) [MLSS100-12-C](#) [SCC100F-11-C](#)  
[SCC100F-20-C](#) [SCC100F-24-C](#) [SCC100F-25-C](#) [3-530656](#) [285-0112-12300](#) [346-068-556-300](#) [284-0492-11000](#)